

TerraSlat Detail Set - Single Layer Vertical Layout



AMERICAN
FIBER CEMENT



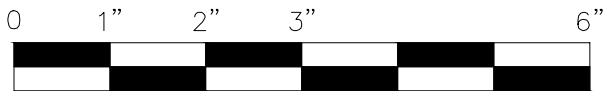
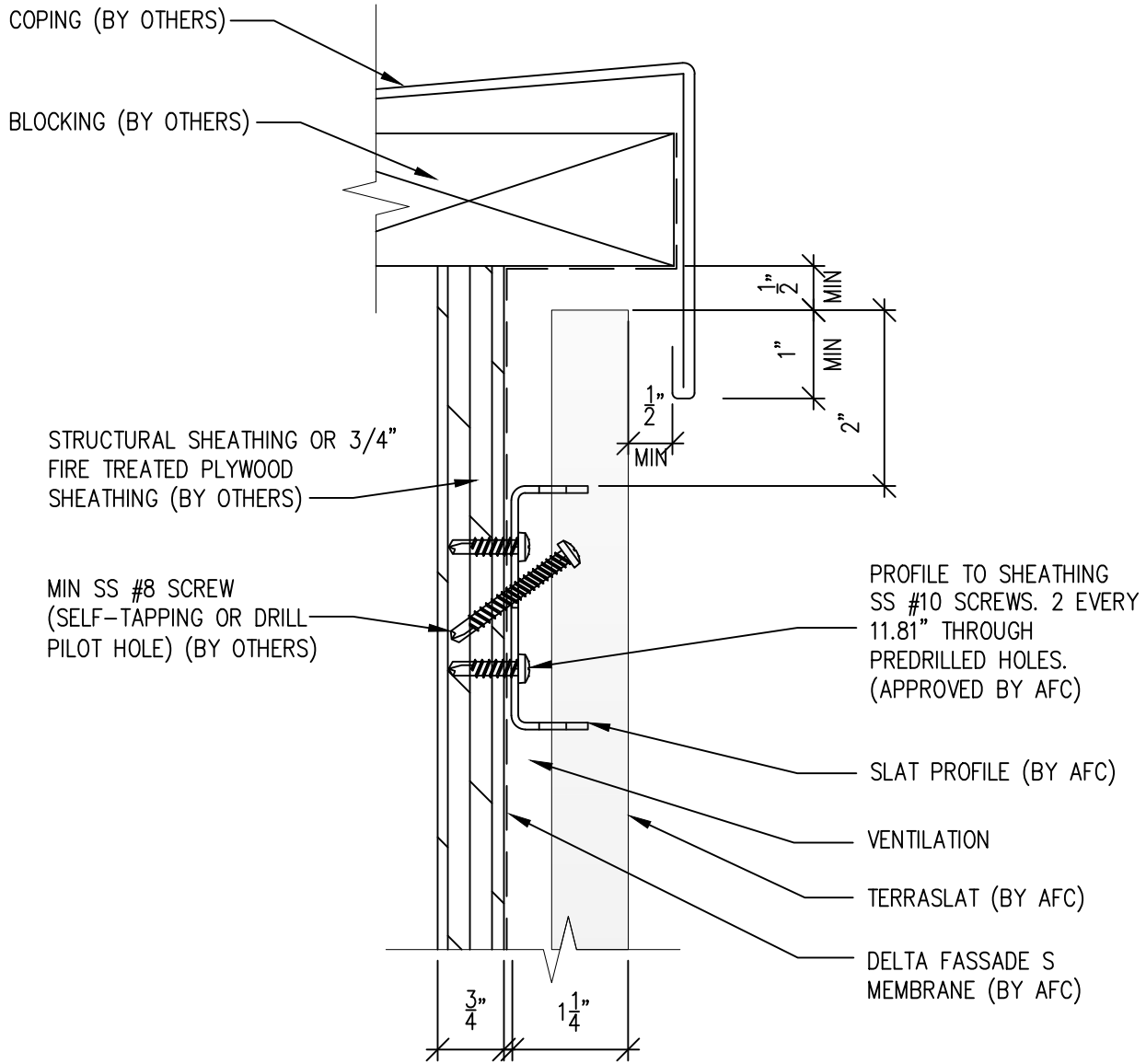
AFC TerraSlat by Tonality®



Typical Details

- Page 3: Top of Slat @ Coping
- Page 4: Top of Slat @ Soffit
- Page 5: Top of Slat @ AFC TerraSlat Soffit
- Page 6: Horizontal Joint @ Continuous Substrate
- Page 7: Bottom of Slat @ Wall Base
- Page 8: Bottom of Slat @ Open Termination
- Page 9: Bottom of Slat @ Low Roof Flashing
- Page 10: Bottom of Slat @ Soffit
- Page 11: Bottom of Slat @ F.C.P Soffit
- Page 12: Soffit Termination @ Adjacent Material
- Page 13: Bottom of Slat @ Window Head
- Page 14: Top of Slat @ Window Sill
- Page 15: Slat Edge @ Window Jamb
- Page 16: Vertical Slat Joint
- Page 17: Slat Edge @ Window Jamb (Alternate)
- Page 18: Slat Edge @ Butt Joint
- Page 19: Slats @ Outside Corner
- Page 20: Slats @ Inside Corner

TerraSlat Detail Set-Single Layer Vertical Layout



SCALE: 6"=1'-0"

NOTES:

1. PANEL VERTICAL AND HORIZONTAL JOINT SPACING SHOULD BE 3/8" TYPICAL.

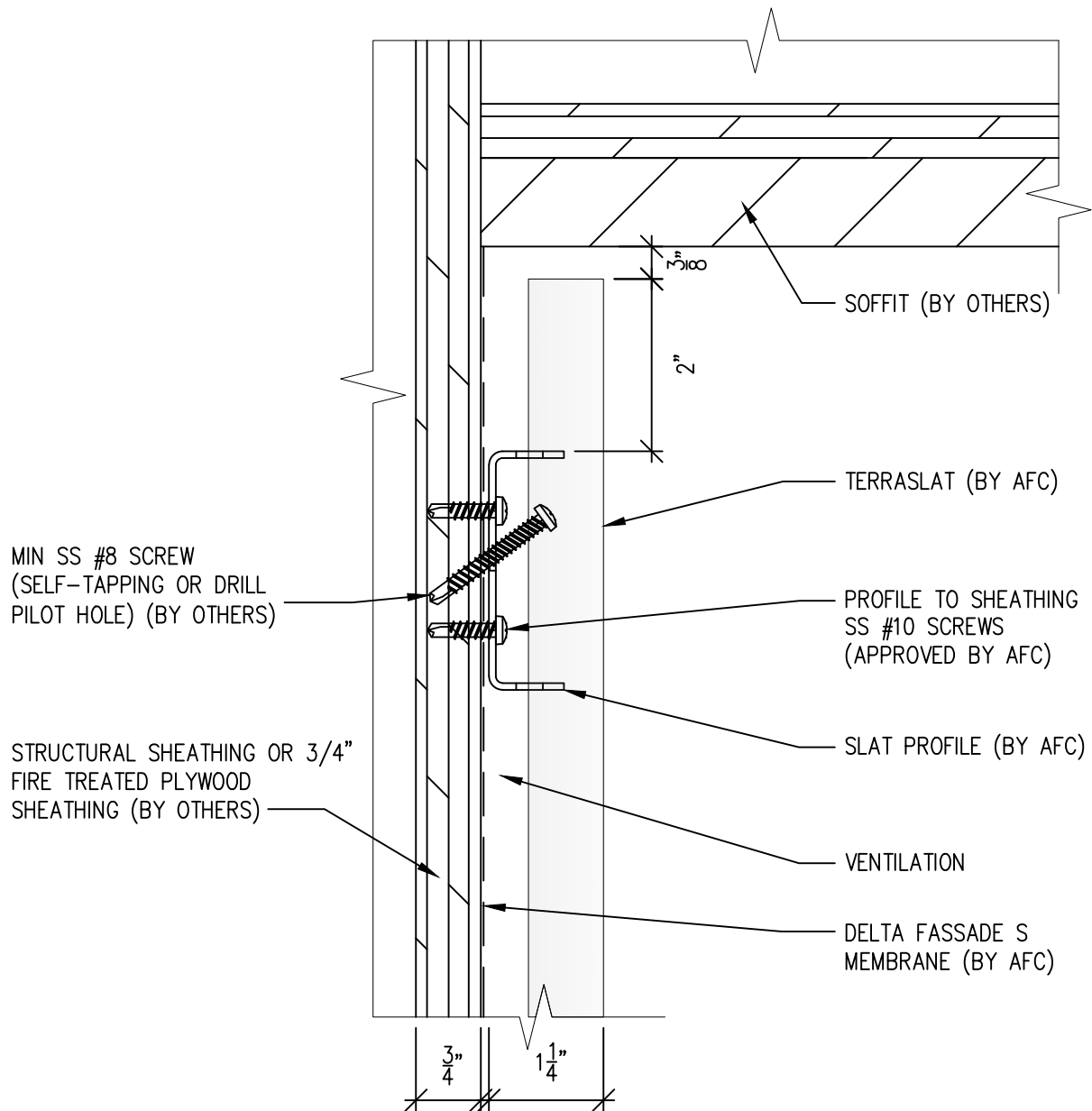


(303) 972-5107
 6901 S Pierce St #180
 Littleton, CO 80128
www.americanfibercement.com

Ref.:
 Top of Slat @ Coping

Date: 4/2024

TerraSlat Detail Set-Single Layer Vertical Layout



SCALE: 6"=1'-0"

NOTES:

1. PANEL VERTICAL AND HORIZONTAL JOINT SPACING SHOULD BE 3/8" TYPICAL.

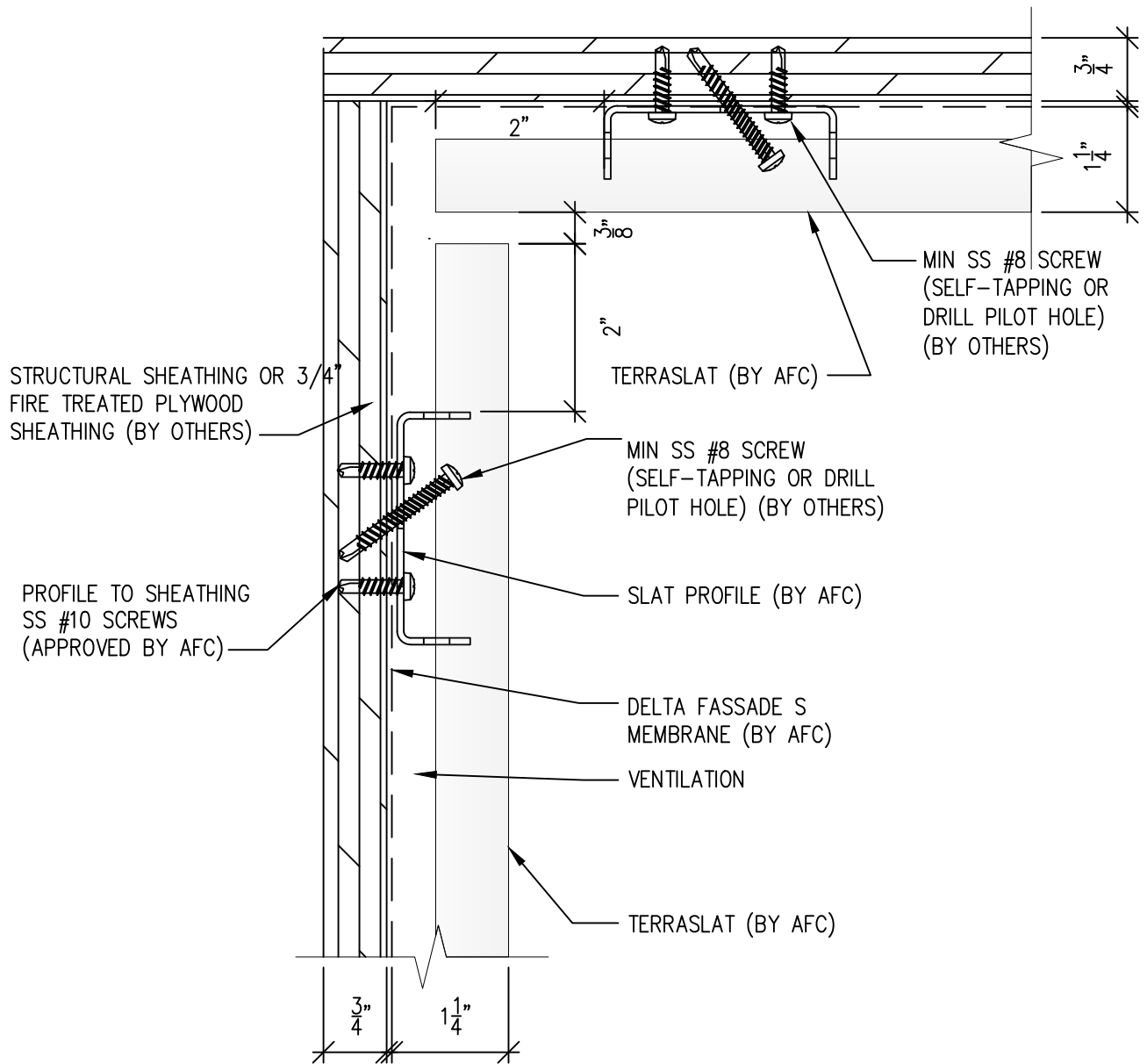


(303) 972-5107
6901 S Pierce St #180
Littleton, CO 80128
www.americanfibercement.com

Ref.:
Top of Slat @
Soffit

Date: 4/2024

TerraSlat Detail Set-Single Layer Vertical Layout



SCALE: 6"=1'-0"

NOTES:

- PANEL VERTICAL AND HORIZONTAL JOINT SPACING SHOULD BE 3/8" TYPICAL.



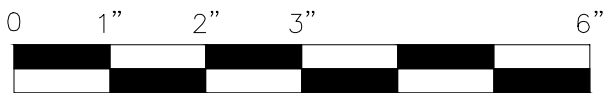
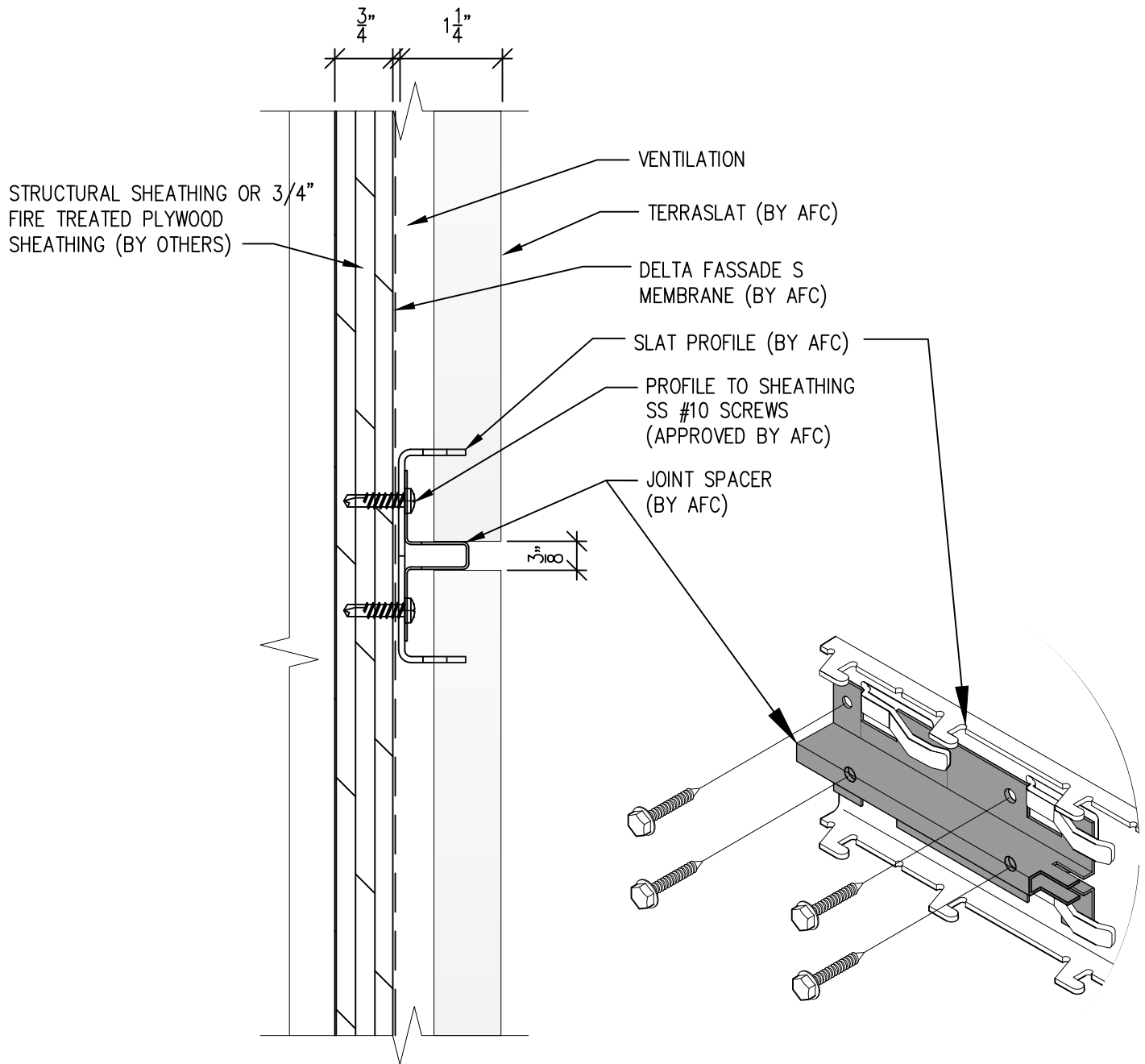
(303) 972-5107
6901 S Pierce St #180
Littleton, CO 80128

www.americanfibercement.com

Ref.:
Top of Slat @
AFC TerraSlat Soffit

Date: 4/2024

TerraSlat Detail Set-Single Layer Vertical Layout



SCALE: 6"=1'-0"

NOTES:

1. PANEL VERTICAL AND HORIZONTAL JOINT SPACING SHOULD BE 3/8" TYPICAL.

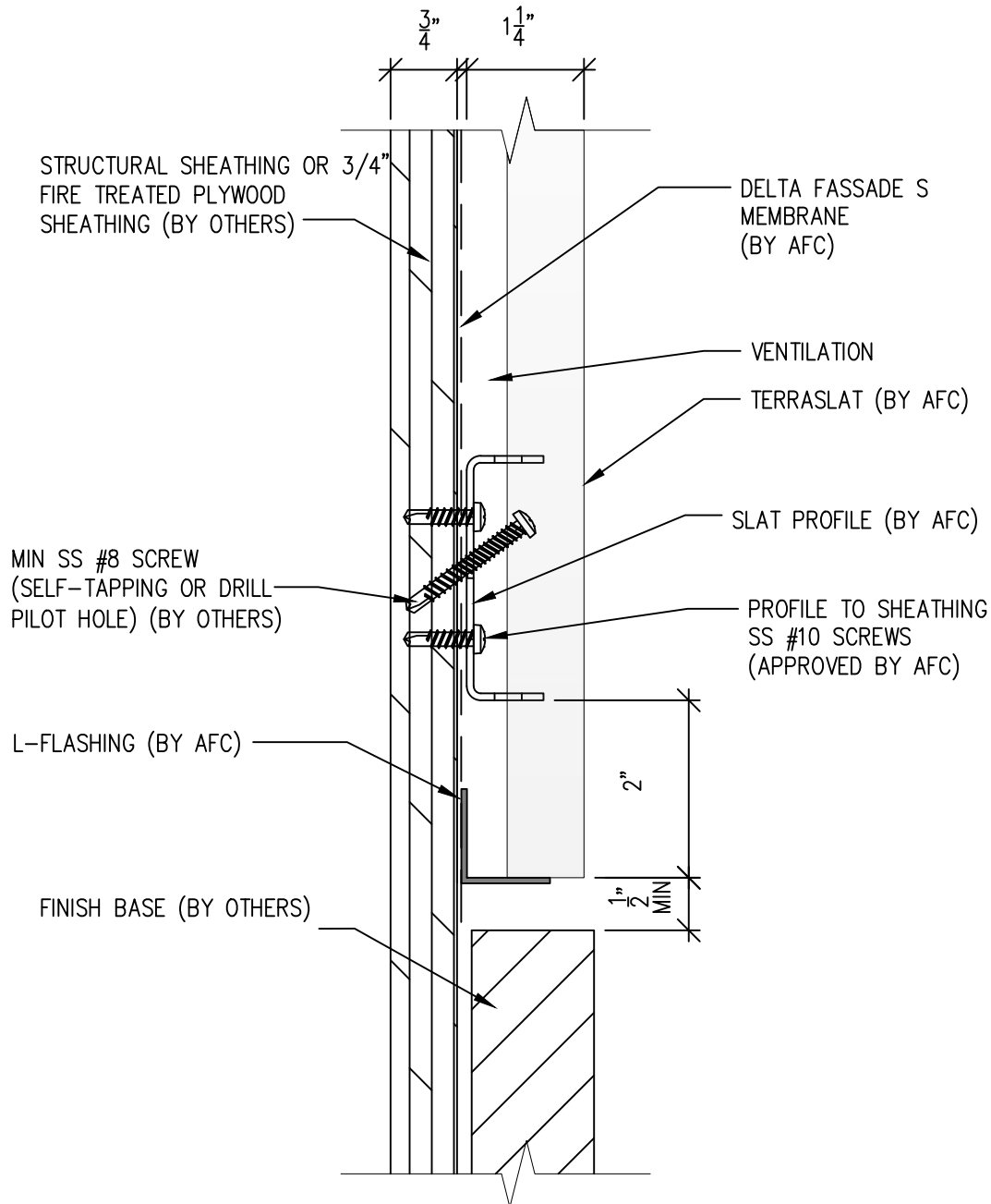


(303) 972-5107
 6901 S Pierce St #180
 Littleton, CO 80128
www.americanfibercement.com

Ref.: Horizontal Joint @
 Continuous Substrate

Date: 4/2024

TerraSlat Detail Set-Single Layer Vertical Layout



SCALE: 6"=1'-0"

NOTES:

1. PANEL VERTICAL AND HORIZONTAL JOINT SPACING SHOULD BE $\frac{3}{8}$ " TYPICAL.



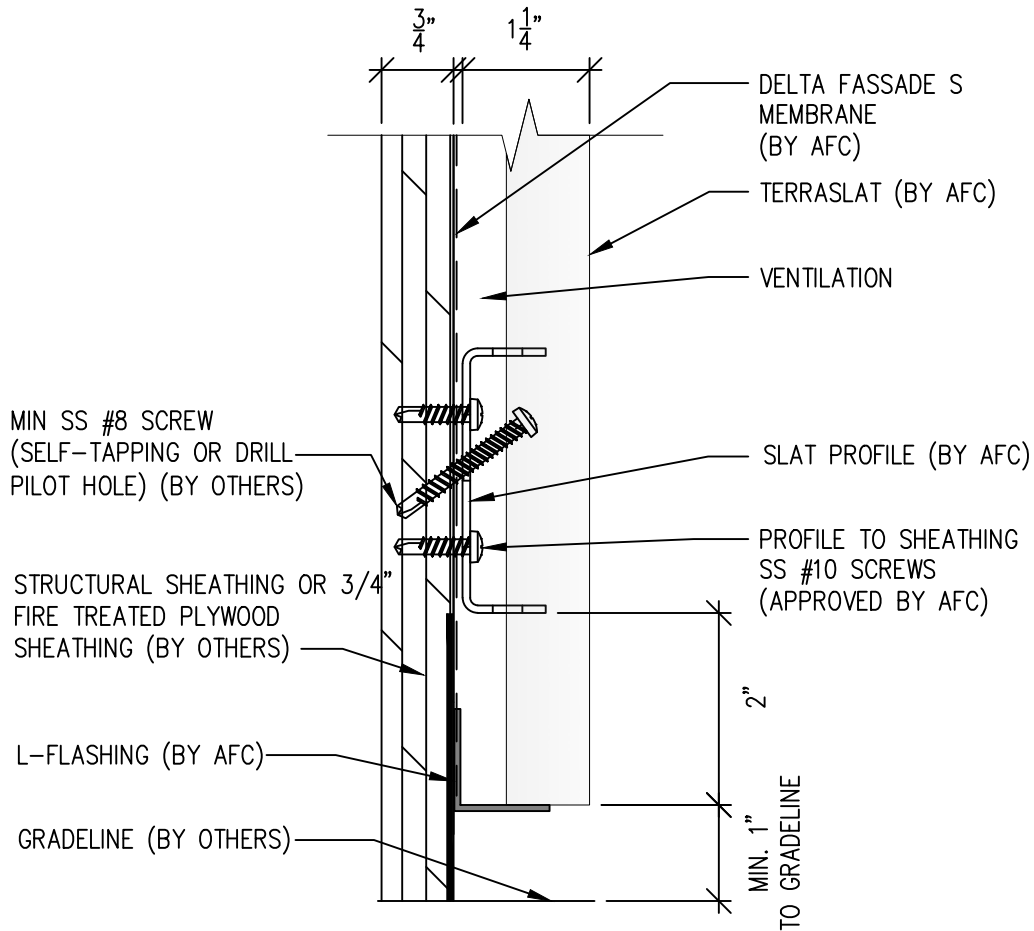
(303) 972-5107
 6901 S Pierce St #180
 Littleton, CO 80128

www.americanfiberceement.com

Ref.:
 Bottom of Slat @
 Wall Base

Date: 4/2024

TerraSlat Detail Set-Single Layer Vertical Layout



NOTE:
 HOLD BASE OF TERRASLAT PANEL 6"-12" OFF GRADE BASED ON EXPECTED SNOW BUILDUP



SCALE: 6"=1'-0"

- NOTES:**
- PANEL VERTICAL AND HORIZONTAL JOINT SPACING SHOULD BE 3/8" TYPICAL.

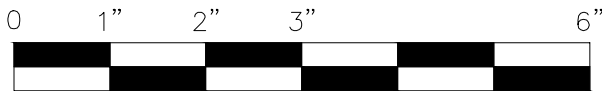
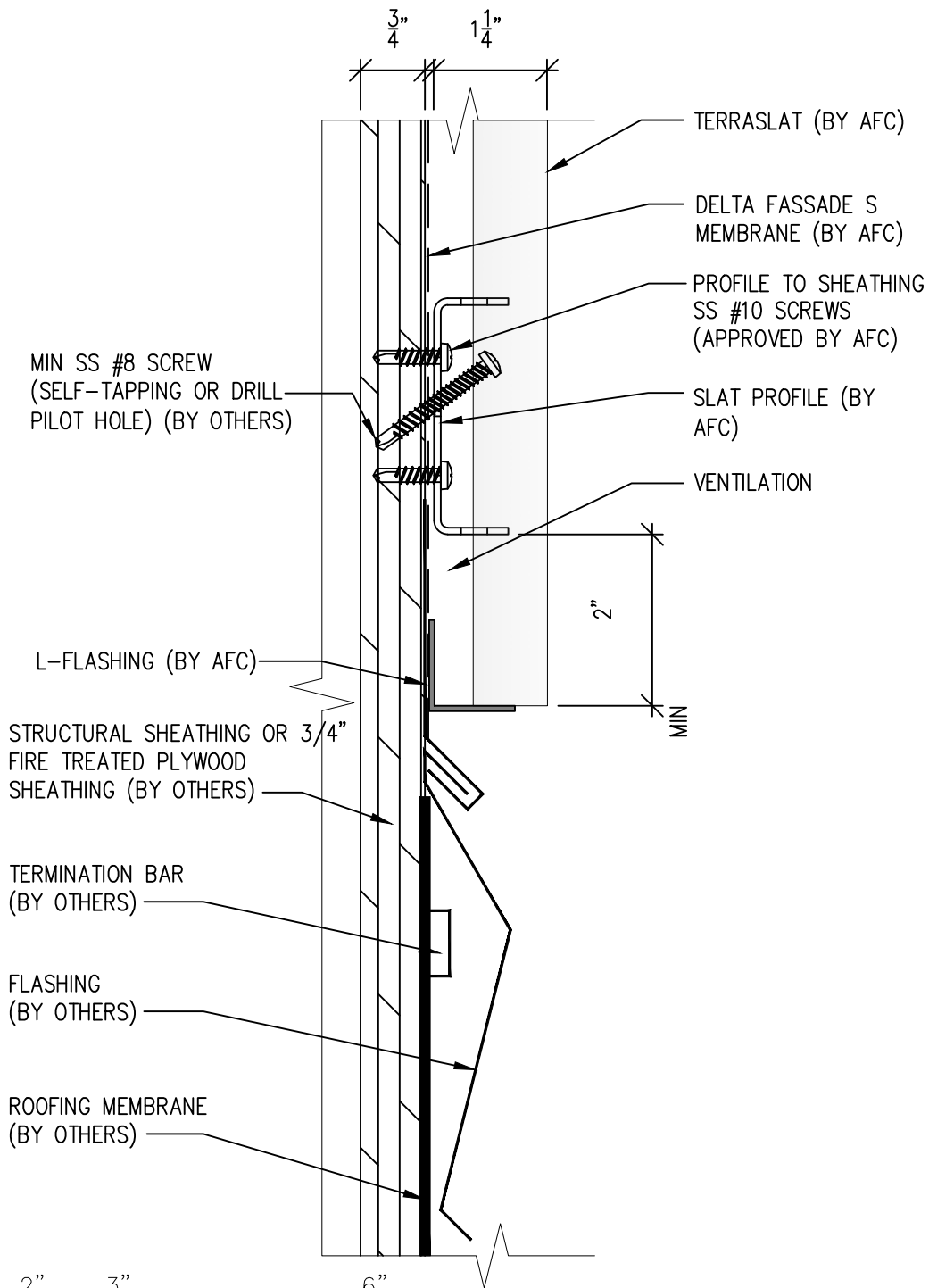


(303) 972-5107
 6901 S Pierce St #180
 Littleton, CO 80128
www.americanfiberceement.com

Ref.:
 Bottom of Slat @
 Open Termination

Date: 4/2024

TerraSlat Detail Set-Single Layer Vertical Layout



SCALE: 6"=1'-0"

NOTES:

1. PANEL VERTICAL AND HORIZONTAL JOINT SPACING SHOULD BE 3/8" TYPICAL.



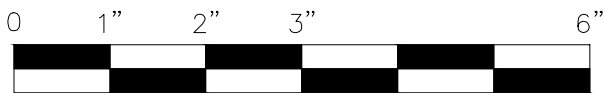
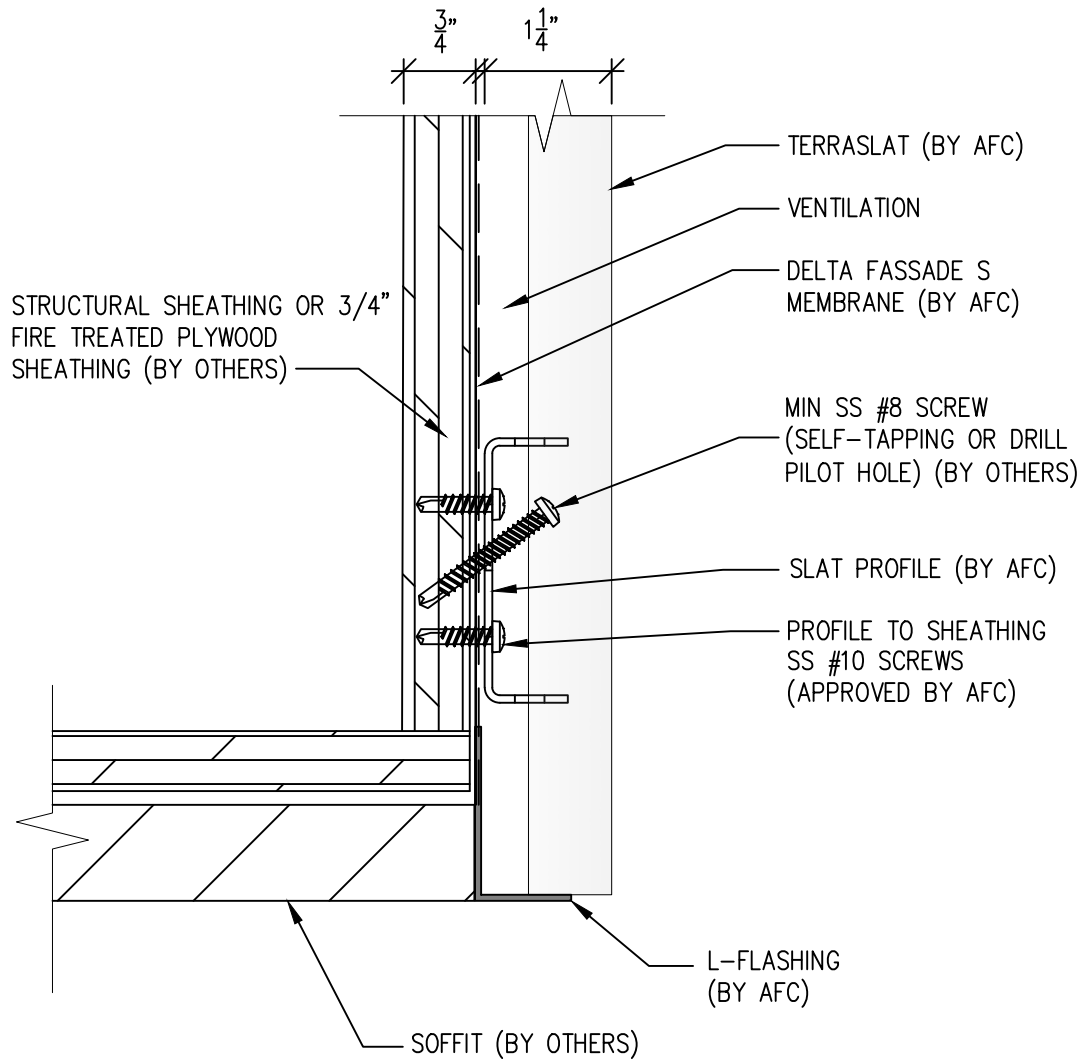
(303) 972-5107
 6901 S Pierce St #180
 Littleton, CO 80128

www.americanfiberceement.com

Ref.:
 Bottom of Slat @
 Low Roof Flashing

Date: 4/2024

TerraSlat Detail Set-Single Layer Vertical Layout



SCALE: 6"=1'-0"

NOTES:

1. PANEL VERTICAL AND HORIZONTAL JOINT SPACING SHOULD BE $\frac{3}{8}$ " TYPICAL.



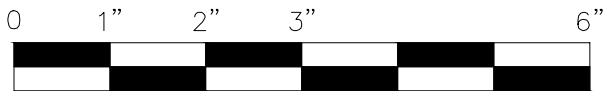
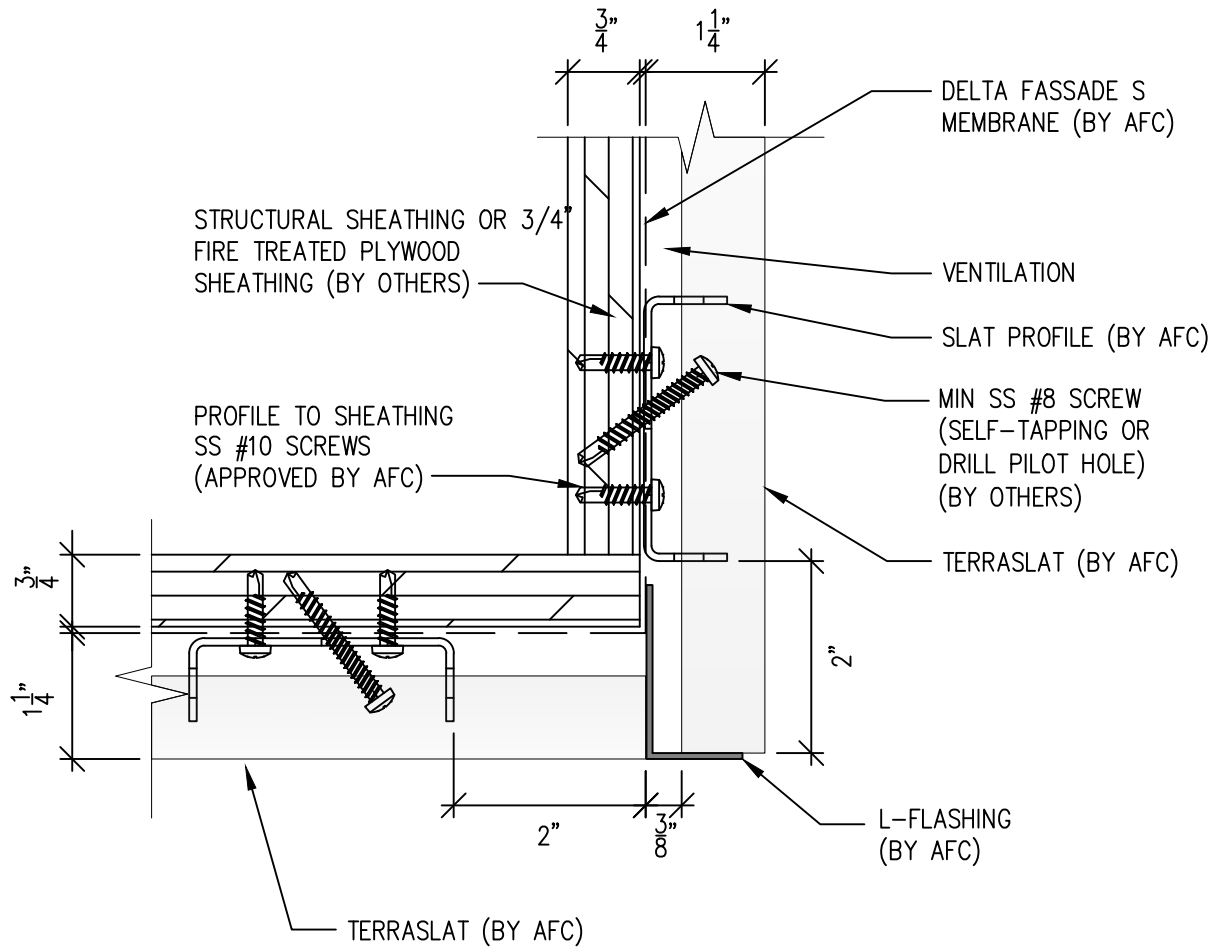
(303) 972-5107
 6901 S Pierce St #180
 Littleton, CO 80128

www.americanfibercement.com

Ref.:
 Bottom of Slat @
 Soffit

Date: 4/2024

TerraSlat Detail Set-Single Layer Vertical Layout



SCALE: 6"=1'-0"

NOTES:

1. PANEL VERTICAL AND HORIZONTAL JOINT SPACING SHOULD BE $\frac{3}{8}$ " TYPICAL.



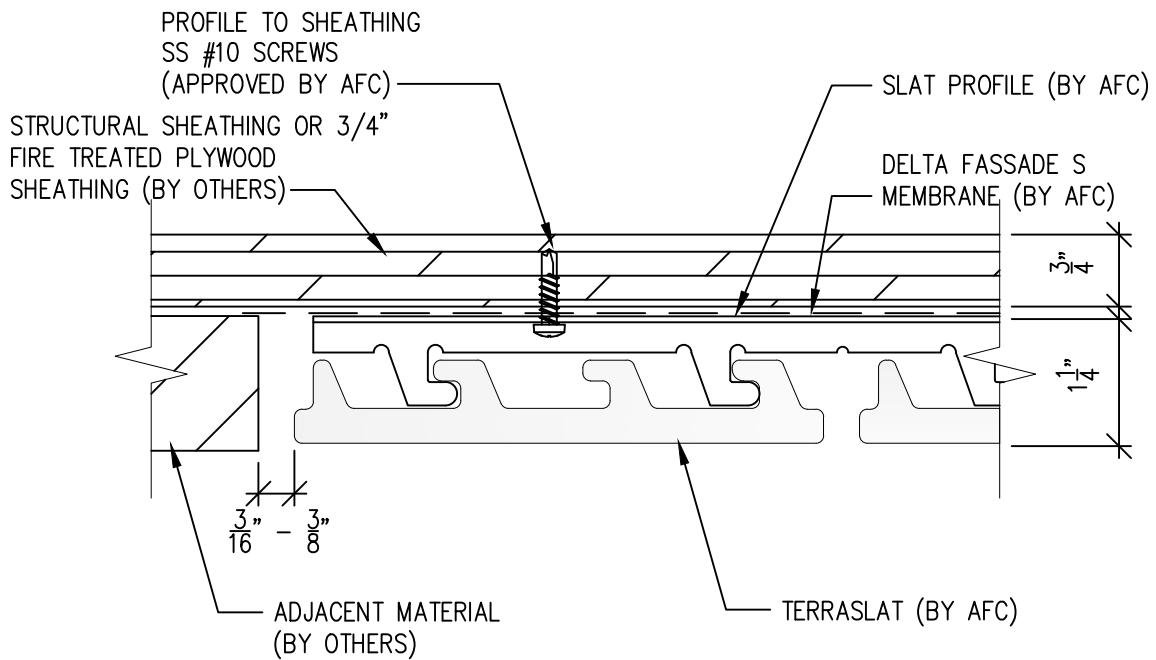
(303) 972-5107
6901 S Pierce St #180
Littleton, CO 80128

www.americanfiberceement.com

Ref.:
Bottom of Slat @
F.C.P Soffit

Date: 4/2024

TerraSlat Detail Set-Single Layer Vertical Layout



SCALE: 6"=1'-0"

NOTES:

1. PANEL VERTICAL AND HORIZONTAL JOINT SPACING SHOULD BE 3/8" TYPICAL.



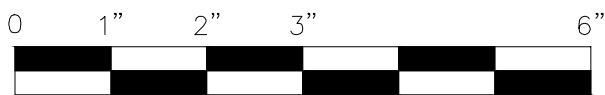
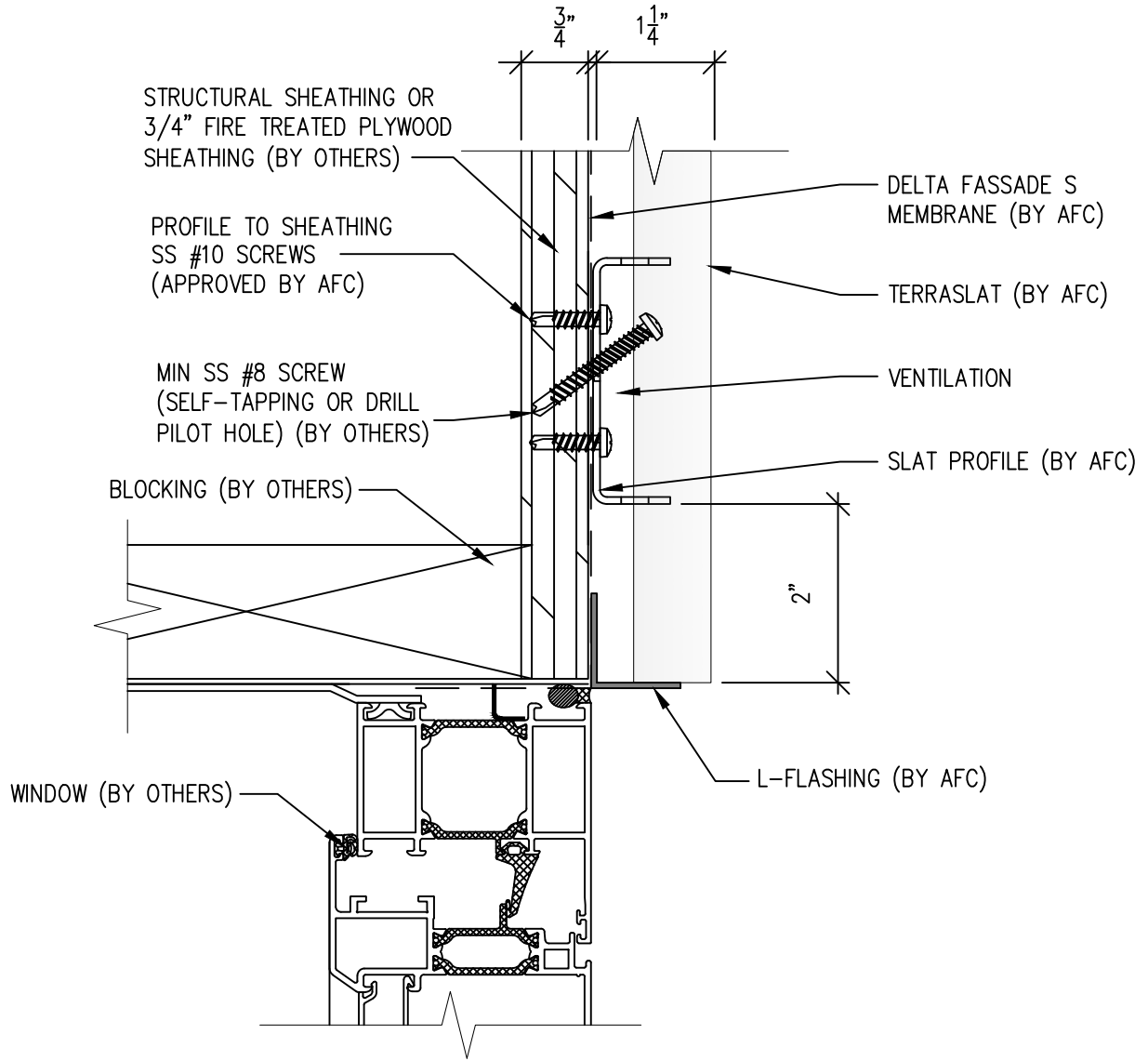
(303) 972-5107
 6901 S Pierce St #180
 Littleton, CO 80128

www.americanfiberceement.com

Ref.:
 Soffit Termination @
 Adjacent Material

Date: 4/2024

TerraSlat Detail Set-Single Layer Vertical Layout



SCALE: 6"=1'-0"

NOTES:

1. PANEL VERTICAL AND HORIZONTAL JOINT SPACING SHOULD BE 3/8" TYPICAL.

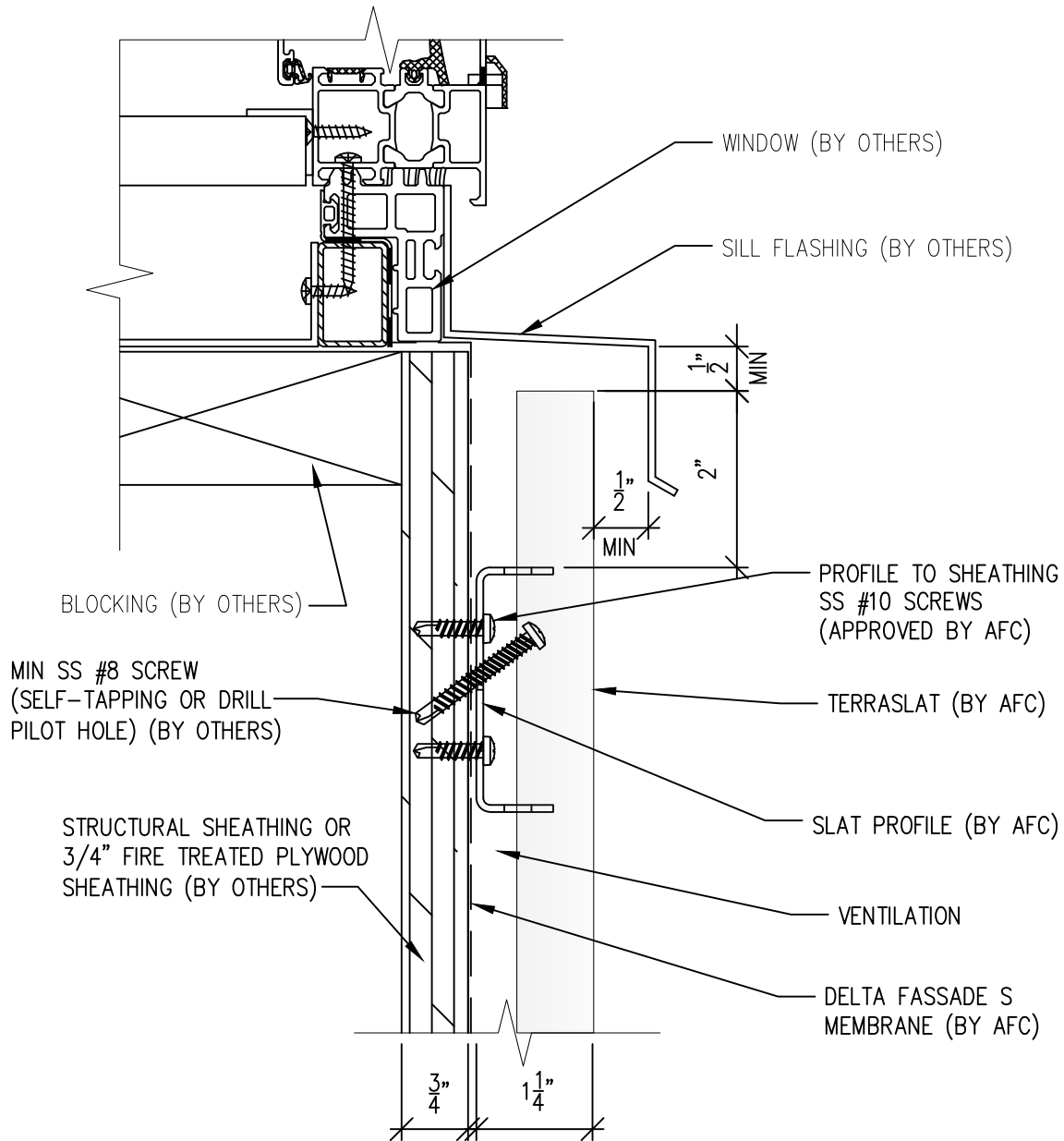


(303) 972-5107
 6901 S Pierce St #180
 Littleton, CO 80128
www.americanfiberceement.com

Ref.:
 Bottom of Slat @
 Window Head

Date: 4/2024

TerraSlat Detail Set-Single Layer Vertical Layout



SCALE: 6" = 1'-0"

NOTES:

1. PANEL VERTICAL AND HORIZONTAL JOINT SPACING SHOULD BE 3/8" TYPICAL.

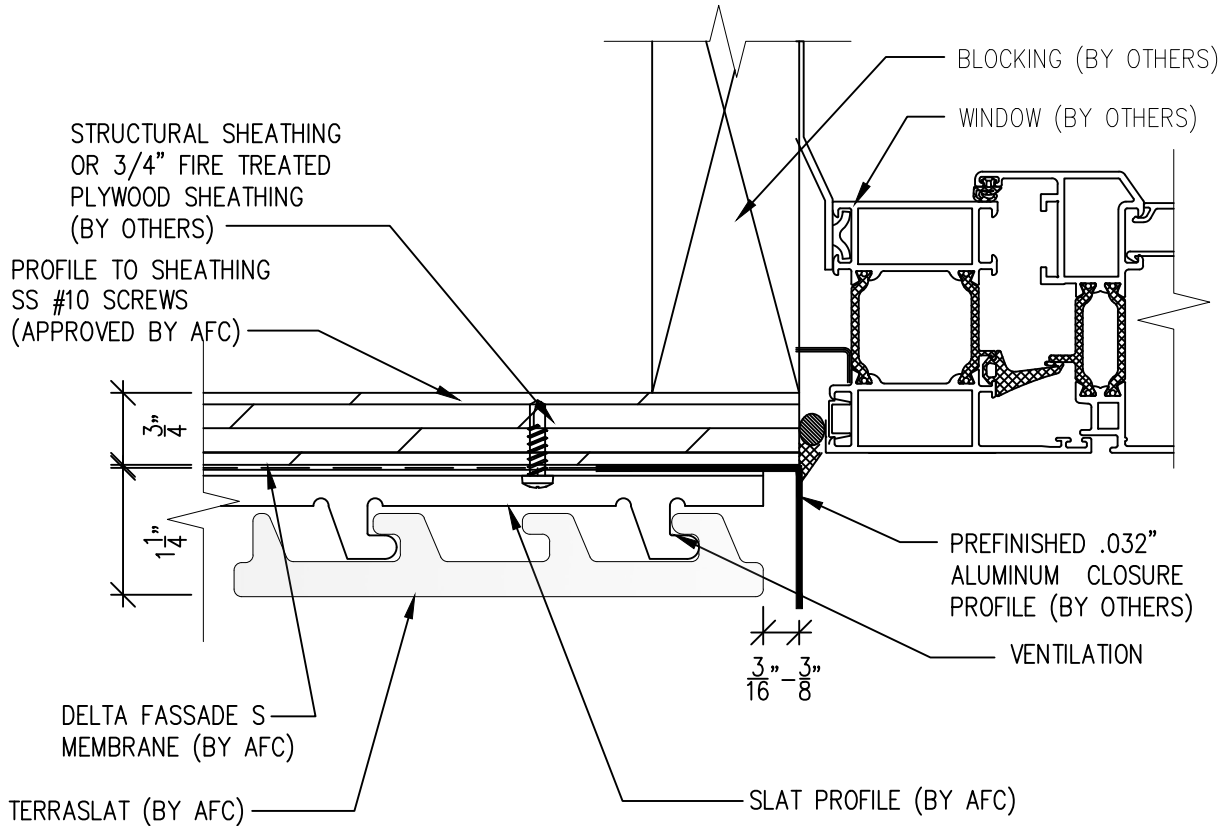


(303) 972-5107
 6901 S Pierce St #180
 Littleton, CO 80128
www.americanfiberceement.com

Ref.:
 Top of Slat @
 Window Sill

Date: 4/2024

TerraSlat Detail Set-Single Layer Vertical Layout



SCALE: 6"=1'-0"

NOTES:

1. PANEL VERTICAL AND HORIZONTAL JOINT SPACING SHOULD BE 3/8" TYPICAL.



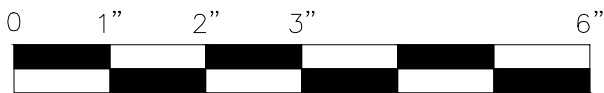
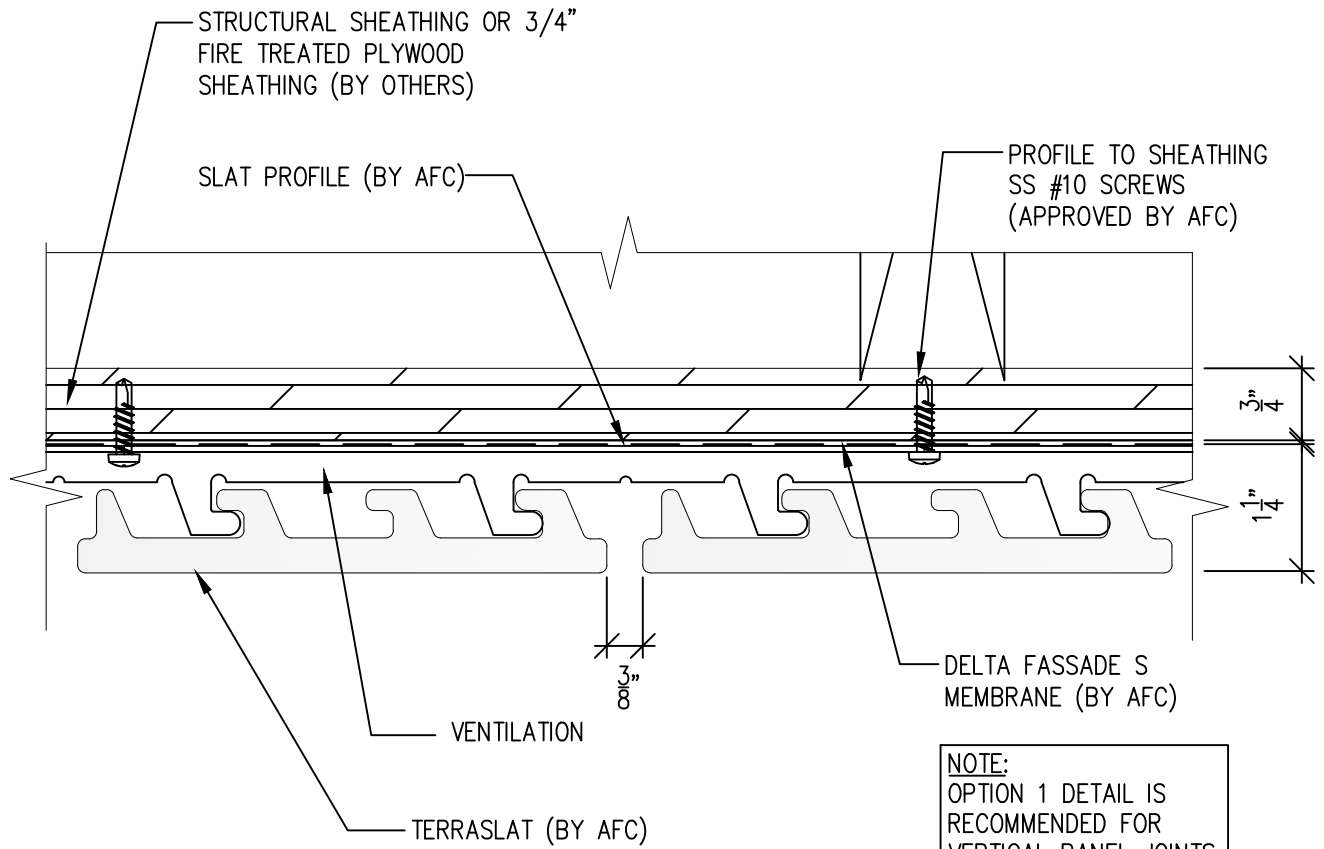
(303) 972-5107
6901 S Pierce St #180
Littleton, CO 80128

www.americanfibercement.com

Ref.:
Slat Edge @
Window Jamb

Date: 4/2024

TerraSlat Detail Set-Single Layer Vertical Layout



SCALE: 6"=1'-0"

NOTES:

1. PANEL VERTICAL AND HORIZONTAL JOINT SPACING SHOULD BE 3/8" TYPICAL.

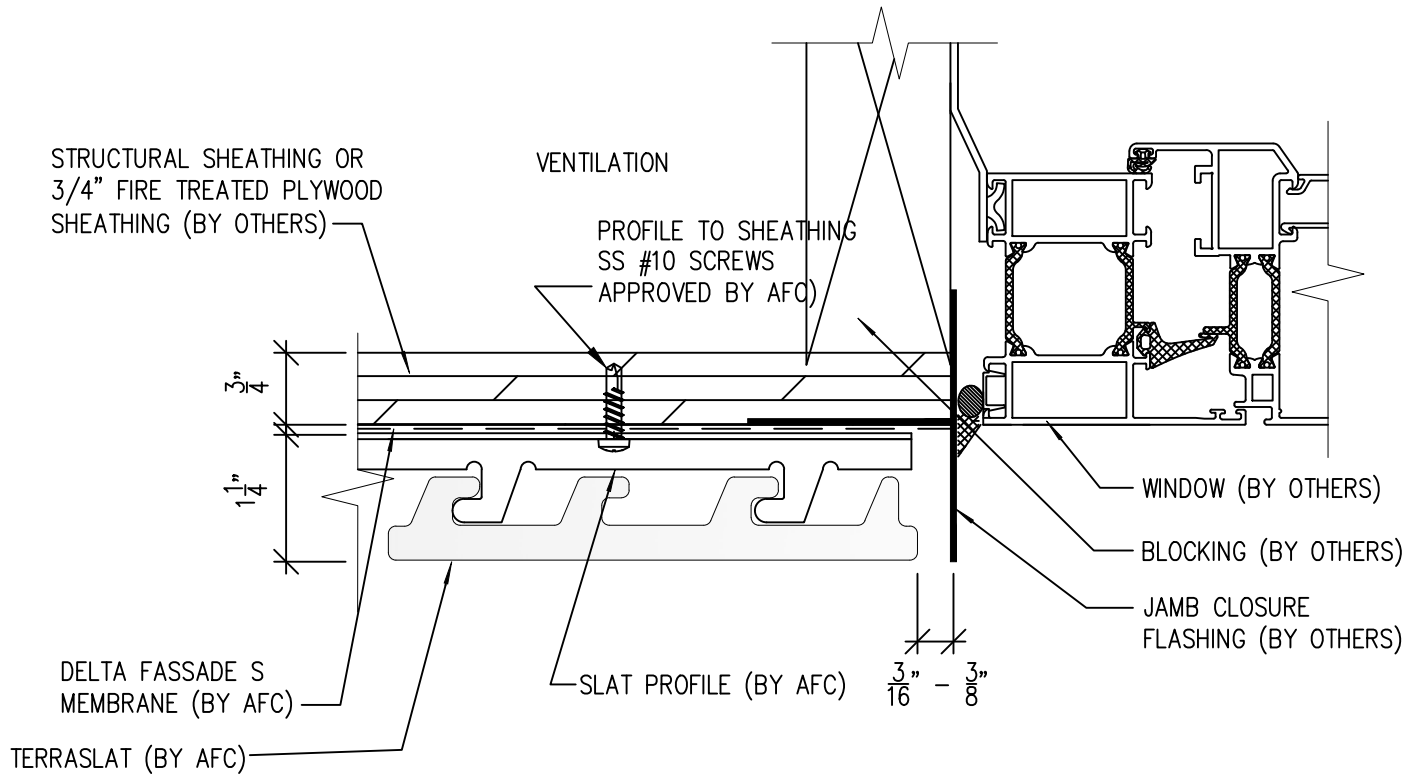


(303) 972-5107
6901 S Pierce St #180
Littleton, CO 80128
www.americanfiberceement.com

Ref.:
Vertical Slat Joint

Date: 4/2024

TerraSlat Detail Set-Single Layer Vertical Layout



SCALE: 6"=1'-0"

NOTES:

1. PANEL VERTICAL AND HORIZONTAL JOINT SPACING SHOULD BE 3/8" TYPICAL.



(303) 972-5107
6901 S Pierce St #180
Littleton, CO 80128

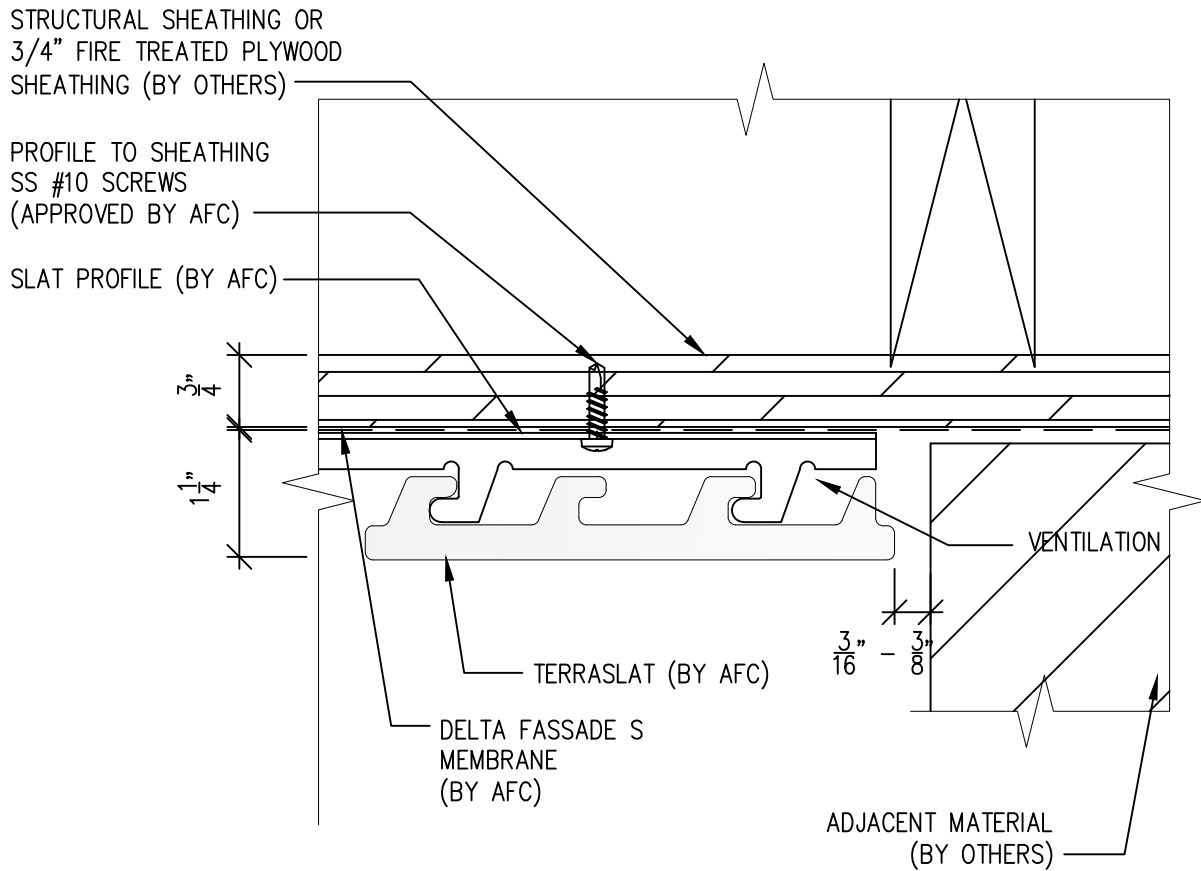
www.americanfiberacement.com

Ref.:

Slat Edge @ Window Jamb
Alternate

Date: 4/2024

TerraSlat Detail Set-Single Layer Vertical Layout



SCALE: 6"=1'-0"

NOTES:

1. PANEL VERTICAL AND HORIZONTAL JOINT SPACING SHOULD BE 3/8" TYPICAL.

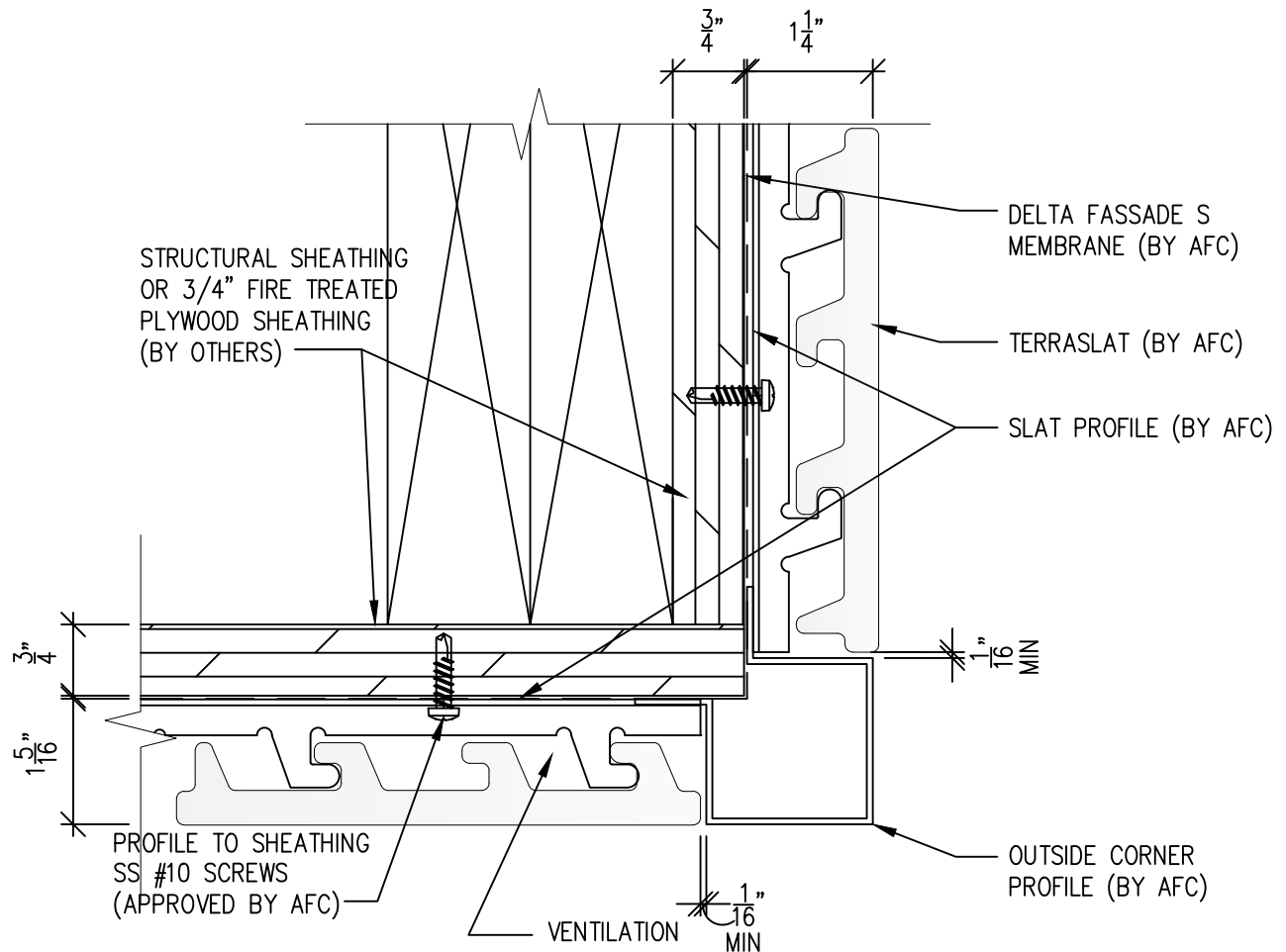


(303) 972-5107
6901 S Pierce St #180
Littleton, CO 80128
www.americanfiberceement.com

Ref.:
Slat Edge @
Butt Joint

Date: 4/2024

TerraSlat Detail Set-Single Layer Vertical Layout



SCALE: 6"=1'-0"

NOTES:

1. PANEL VERTICAL AND HORIZONTAL JOINT SPACING SHOULD BE 3/8" TYPICAL.

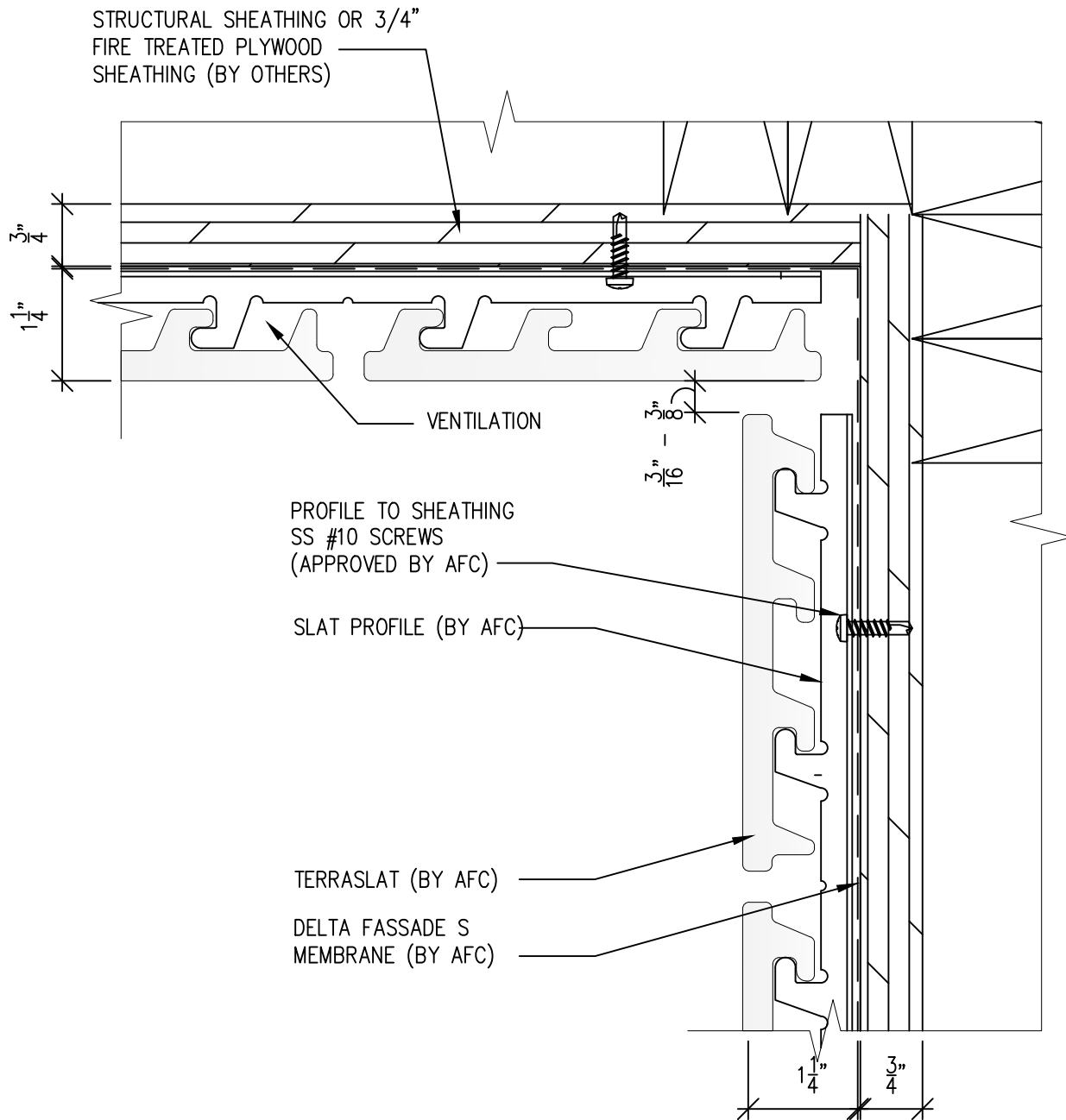


(303) 972-5107
 6901 S Pierce St #180
 Littleton, CO 80128
www.americanfiberceement.com

Ref.:
 Slats @
 Outside Corner

Date: 4/2024

TerraSlat Detail Set-Single Layer Vertical Layout



SCALE: 6"=1'-0"

NOTES:

1. PANEL VERTICAL AND HORIZONTAL JOINT SPACING SHOULD BE 3/8" TYPICAL.



(303) 972-5107
 6901 S Pierce St #180
 Littleton, CO 80128
www.americanfibercement.com

Ref.:
 Slats @
 Inside Corner

Date: 4/2024