

# Two Layer Aluminum Attachment System with Rivets

---



AMERICAN  
FIBER CEMENT

---



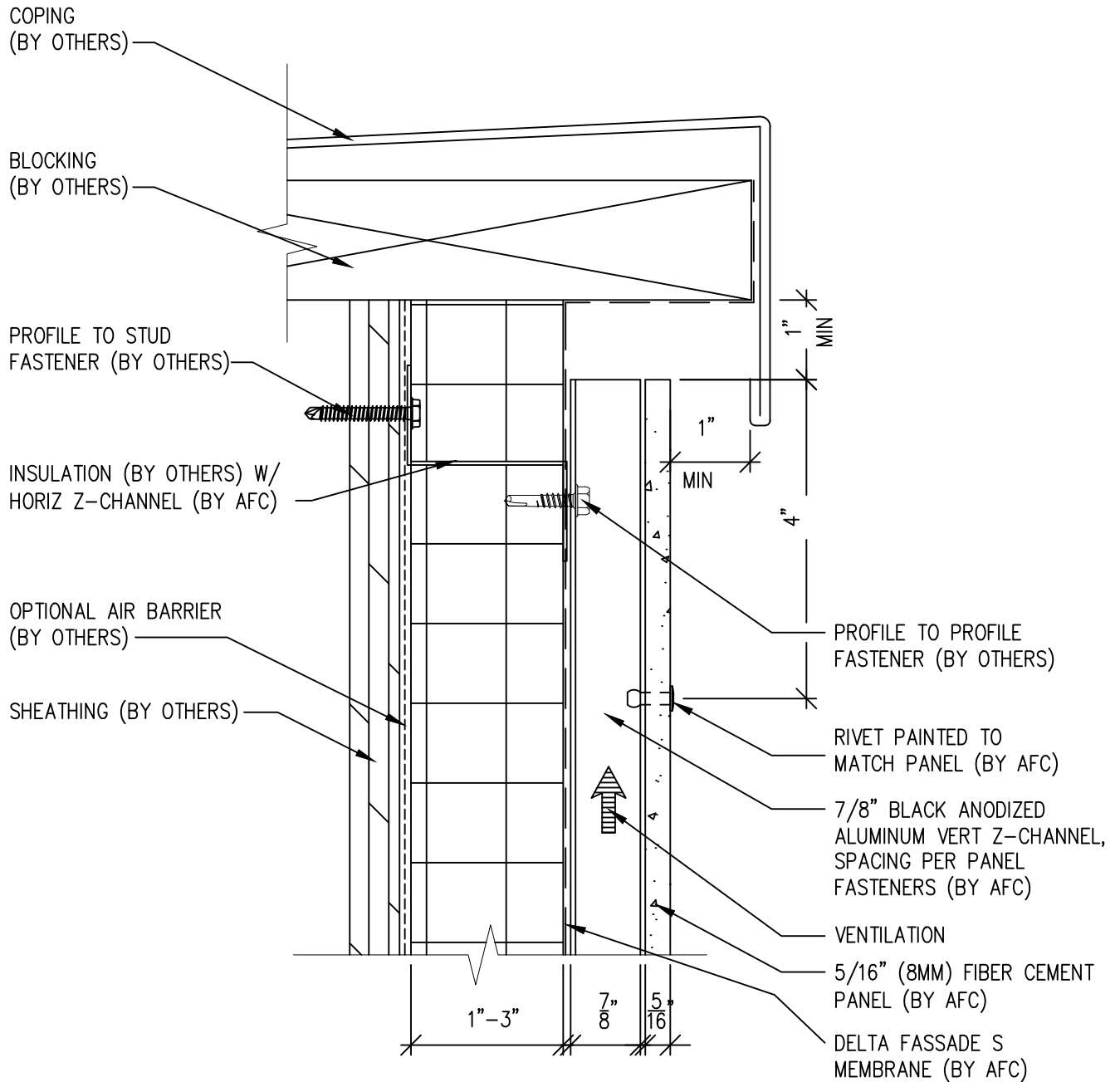
Fiber Cement Ventilated Rainscreen System



## Typical Details

- Page 3: Top Panel @ Coping
- Page 4: Top Panel @ Soffit
- Page 5: Top of Panel @ F.C.P Soffit
- Page 6: Horizontal Joint @ Continuous Substrate
- Page 7: Horizontal Joint @ Break In Substrate
- Page 8: Not Permitted @ Break In Substrate
- Page 9: Bottom of Panel @ Wall Base
- Page 10: Bottom of Panel @ Open Termination
- Page 11: Bottom of Panel @ Low Roof Flashing
- Page 12: Bottom of Panel @ Soffit
- Page 13: Bottom of Panel @ Soffit (Alternate)
- Page 14: Bottom of Panel @ F.C.P. Soffit
- Page 15: Bottom of Panel @ F.C.P. Soffit (Alternate)
- Page 16: Soffit Terminate @ Adjacent Material
- Page 17: Bottom of Panel @ Window Head
- Page 18: Bottom of Panel @ Window Head (Alternate)
- Page 19: Top of Panel @ Window Sill
- Page 20: Panel Edge @ Window Jamb
- Page 21: Panel Edge @ Window Jamb (Alternate)
- Page 22: Vertical Panel Joint Option 1
- Page 23: Vertical Panel Joint Option 2
- Page 24: Panel Edge @ Butt Joint
- Page 25: Panels @ Outside Corner
- Page 26: Panels @ Inside Corner
- Page 27: Typical Fastener Layout

# TWO-LAYER ALUMINUM ATTACHMENT SYSTEM With Horizontal Hat-Channel



SCALE: 6"=1'-0"

**NOTES:**

1. PANEL VERTICAL AND HORIZONTAL JOINT SPACING SHOULD BE 3/8" TYPICAL.



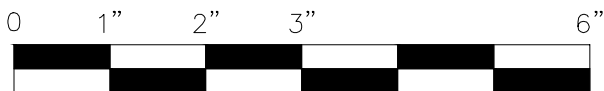
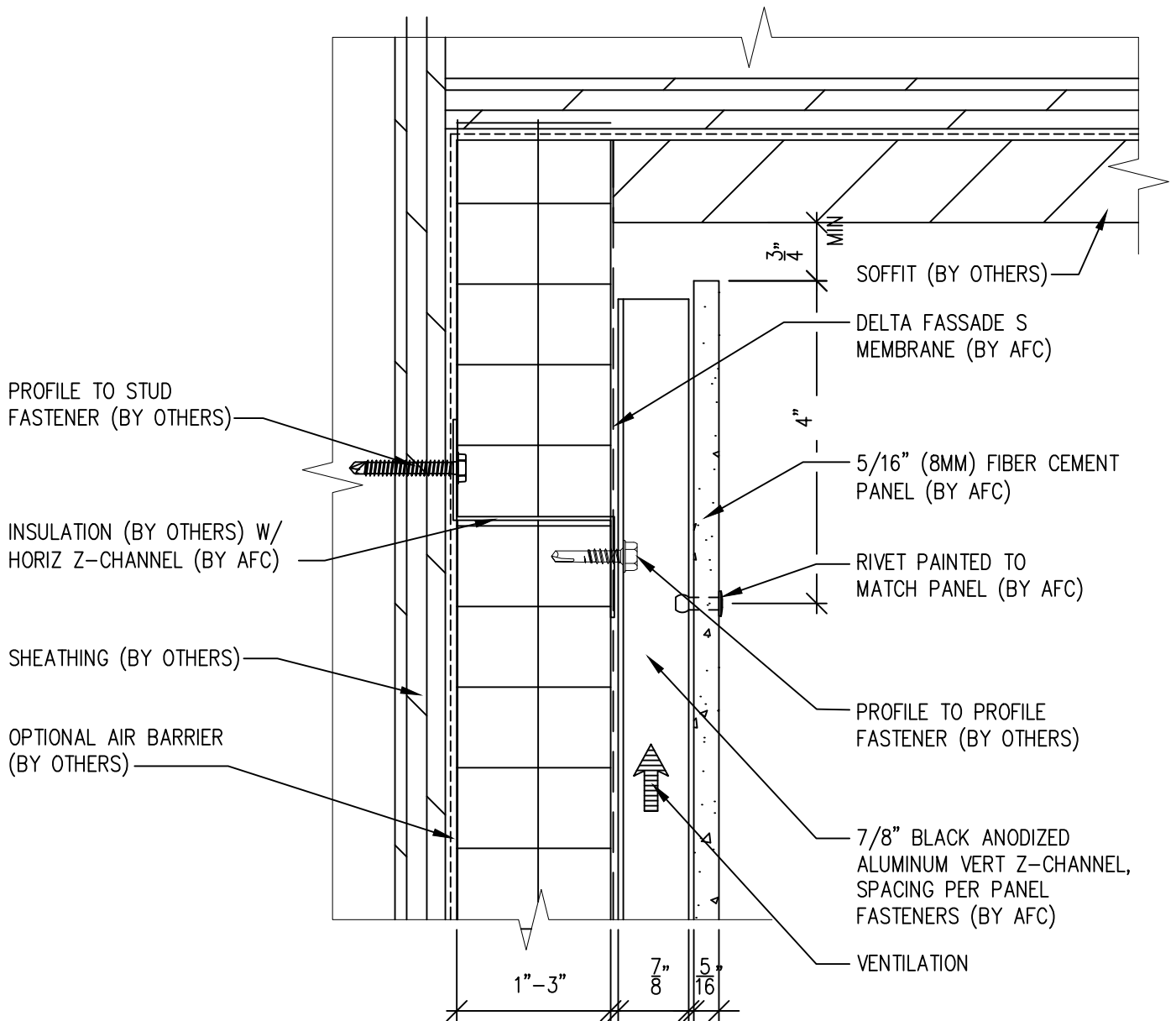
(303) 972-5107  
6901 S Pierce St #180  
Littleton, CO 80128

[www.americanfibercement.com](http://www.americanfibercement.com)

Ref.:  
Top of Panel @  
Coping

Date: 06/07/2023

# TWO-LAYER ALUMINUM ATTACHMENT SYSTEM With Horizontal Hat-Channel



SCALE: 6"=1'-0"

**NOTES:**

1. PANEL VERTICAL AND HORIZONTAL JOINT SPACING SHOULD BE 3/8" TYPICAL.

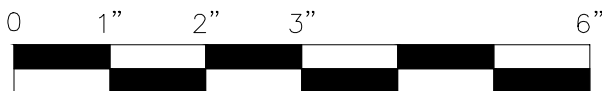
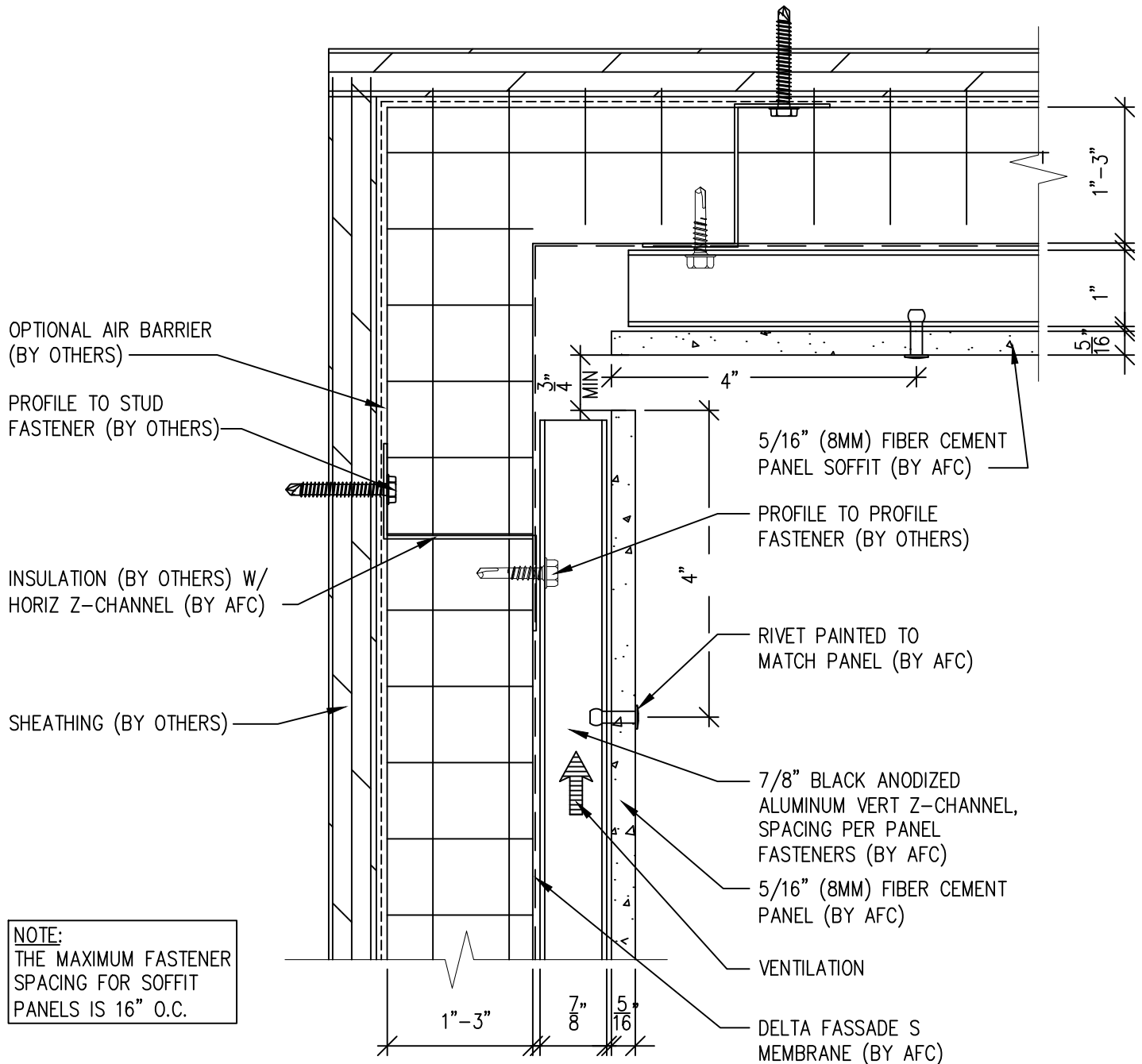


(303) 972-5107  
6901 S Pierce St #180  
Littleton, CO 80128  
[www.americanfiber cement.com](http://www.americanfiber cement.com)

Ref.:  
Top of Panel @  
Soffit

Date: 06/07/2023

# TWO-LAYER ALUMINUM ATTACHMENT SYSTEM With Horizontal Hat-Channel



SCALE: 6"=1'-0"

**NOTES:**

1. PANEL VERTICAL AND HORIZONTAL JOINT SPACING SHOULD BE 3/8" TYPICAL.

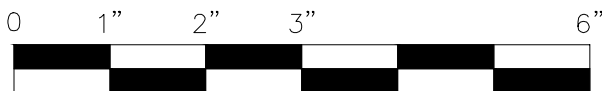
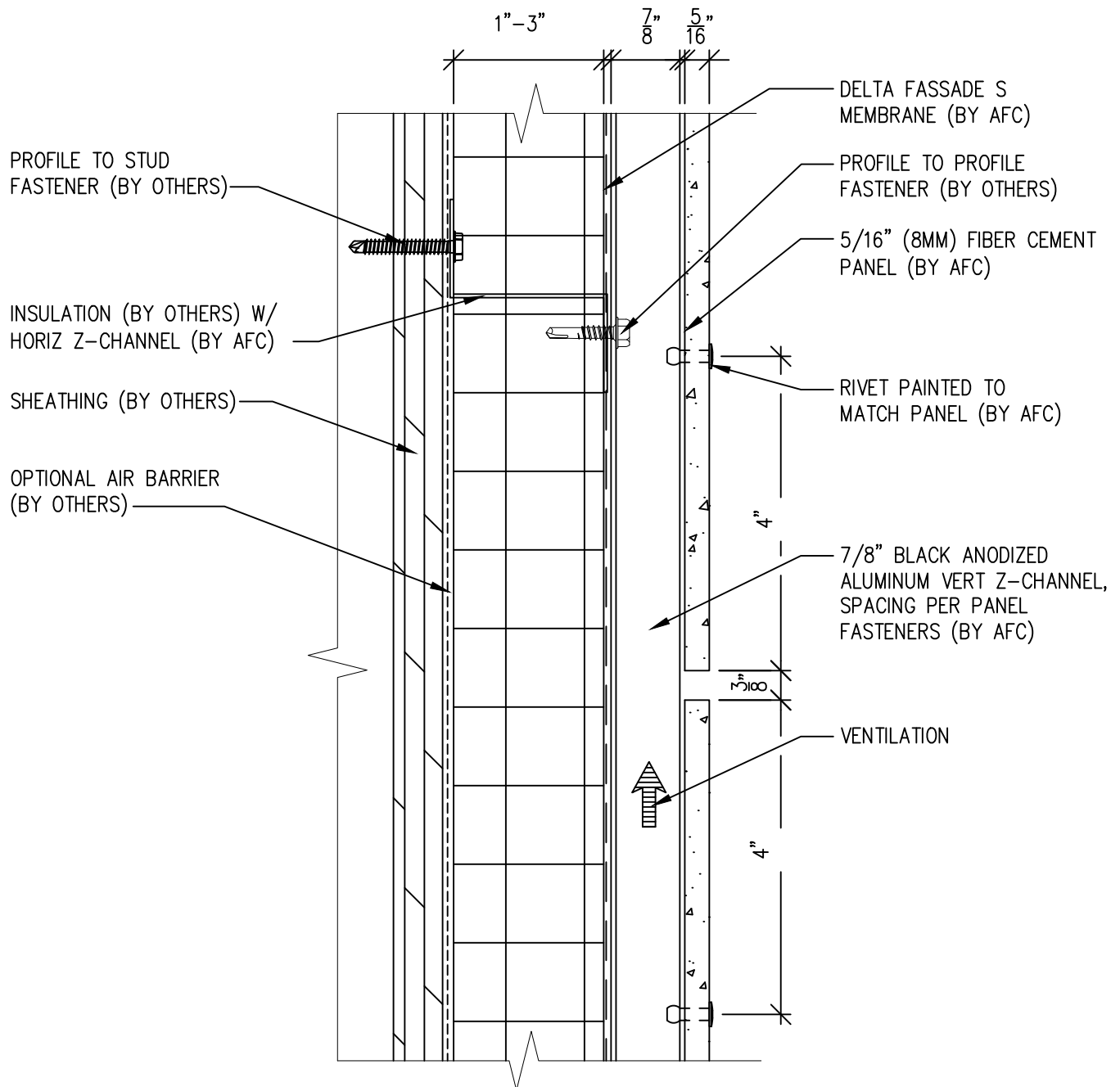


(303) 972-5107  
6901 S Pierce St #180  
Littleton, CO 80128  
[www.americanfibercement.com](http://www.americanfibercement.com)

Ref.:  
Top of Panel @  
F.C.P. Soffit

Date: 06/07/2023

# TWO-LAYER ALUMINUM ATTACHMENT SYSTEM With Horizontal Hat-Channel



SCALE: 6"=1'-0"

**NOTES:**

1. PANEL VERTICAL AND HORIZONTAL JOINT SPACING SHOULD BE 3/8" TYPICAL.

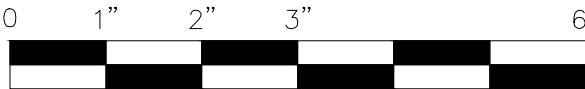
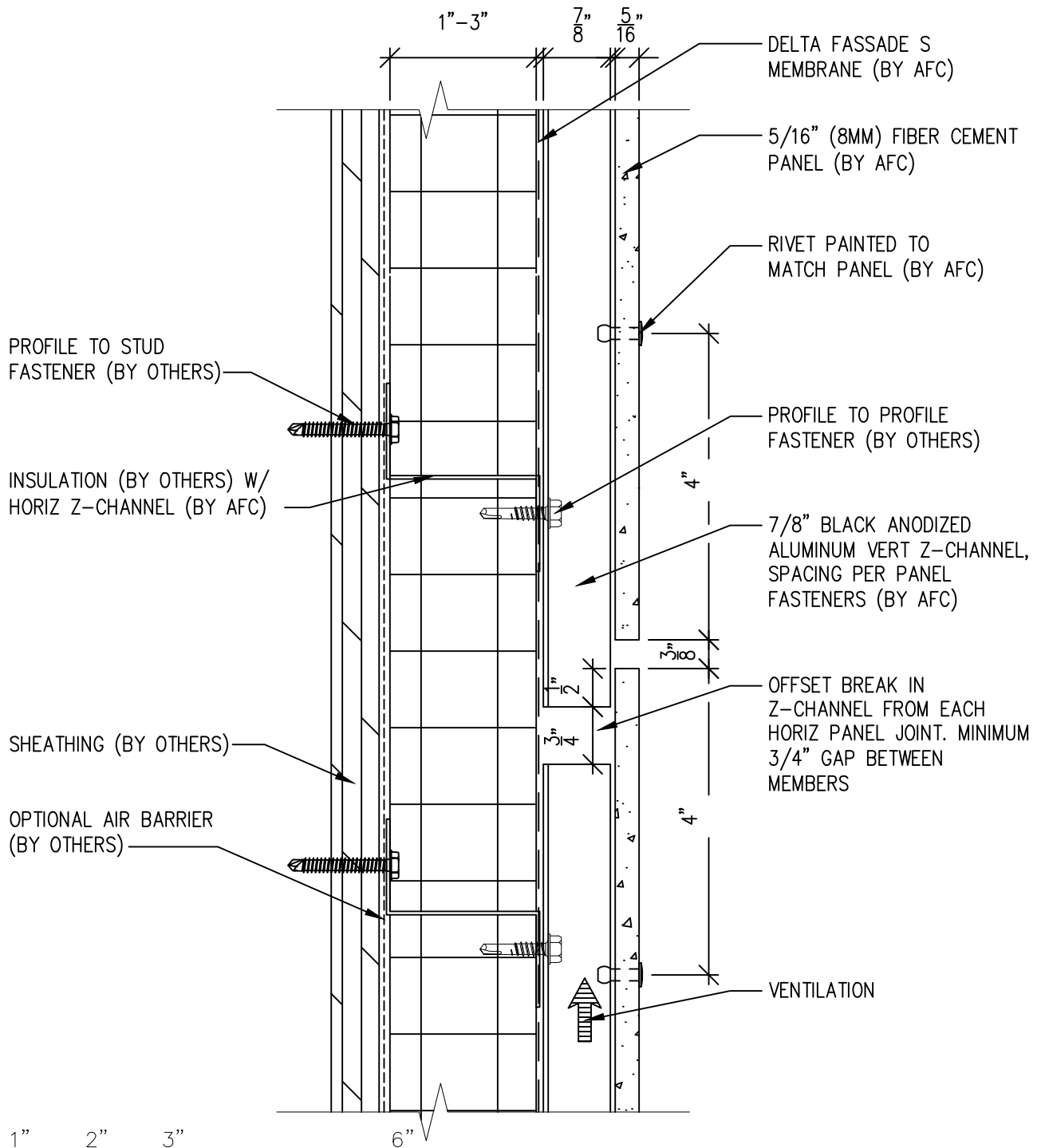


(303) 972-5107  
6901 S Pierce St #180  
Littleton, CO 80128  
[www.americanfiberacement.com](http://www.americanfiberacement.com)

Ref.:  
Horizontal Panel Joint

Date: 06/07/2023

# TWO-LAYER ALUMINUM ATTACHMENT SYSTEM With Horizontal Hat-Channel



SCALE: 6"=1'-0"

**NOTES:**

1. PANEL VERTICAL AND HORIZONTAL JOINT SPACING SHOULD BE 3/8" TYPICAL.

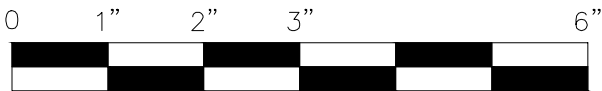
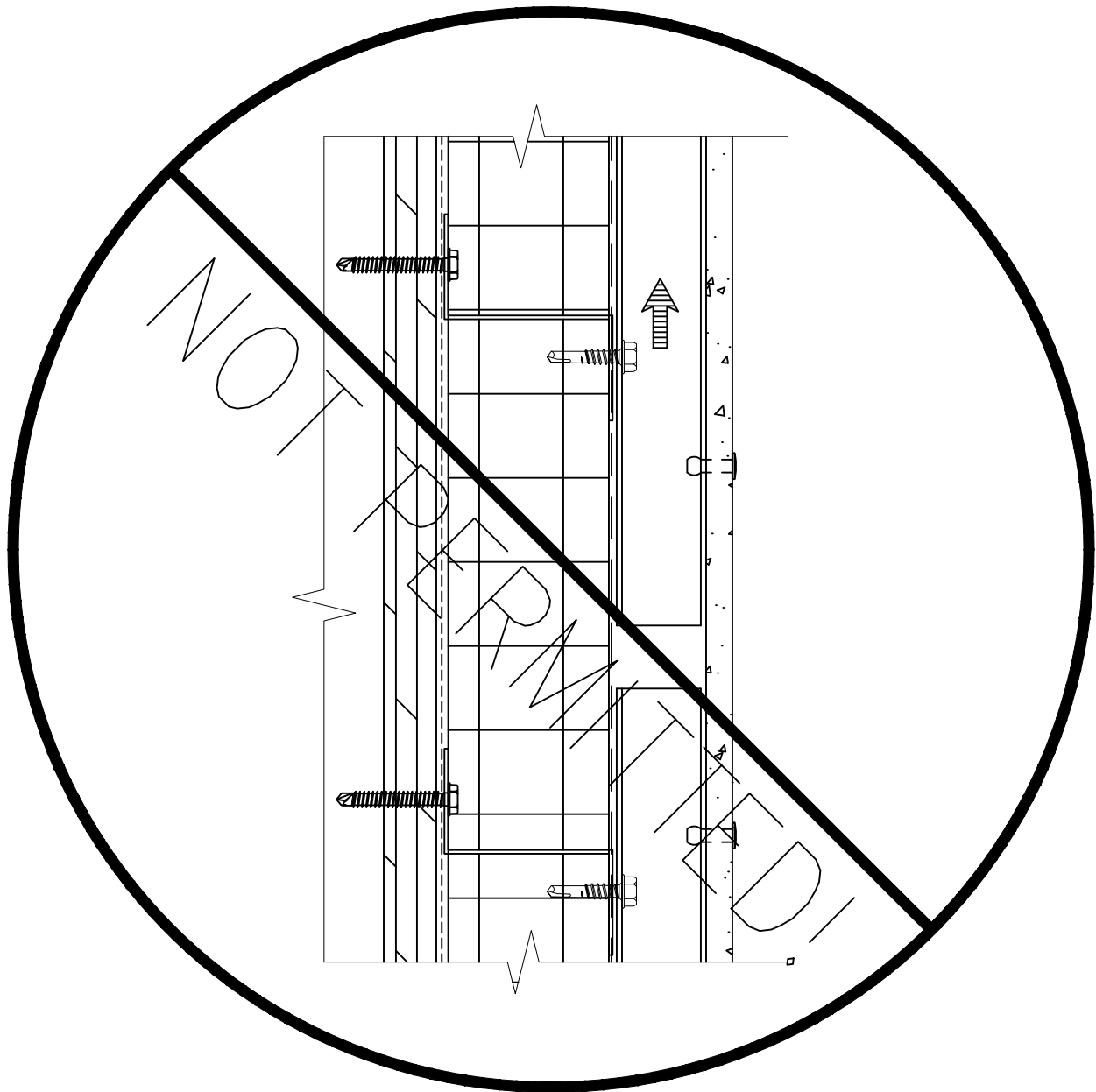


(303) 972-5107  
6901 S Pierce St #180  
Littleton, CO 80128  
[www.americanfibercement.com](http://www.americanfibercement.com)

Ref.:  
Horizontal Panel Joint

Date: 06/07/2023

# TWO-LAYER ALUMINUM ATTACHMENT SYSTEM With Horizontal Hat-Channel



SCALE: 6"=1'-0"

**NOTES:**

1. PANEL VERTICAL AND HORIZONTAL JOINT SPACING SHOULD BE 3/8" TYPICAL.



(303) 972-5107  
6901 S Pierce St #180  
Littleton, CO 80128

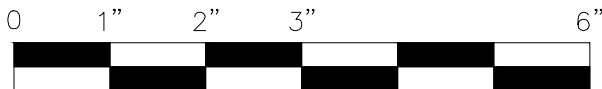
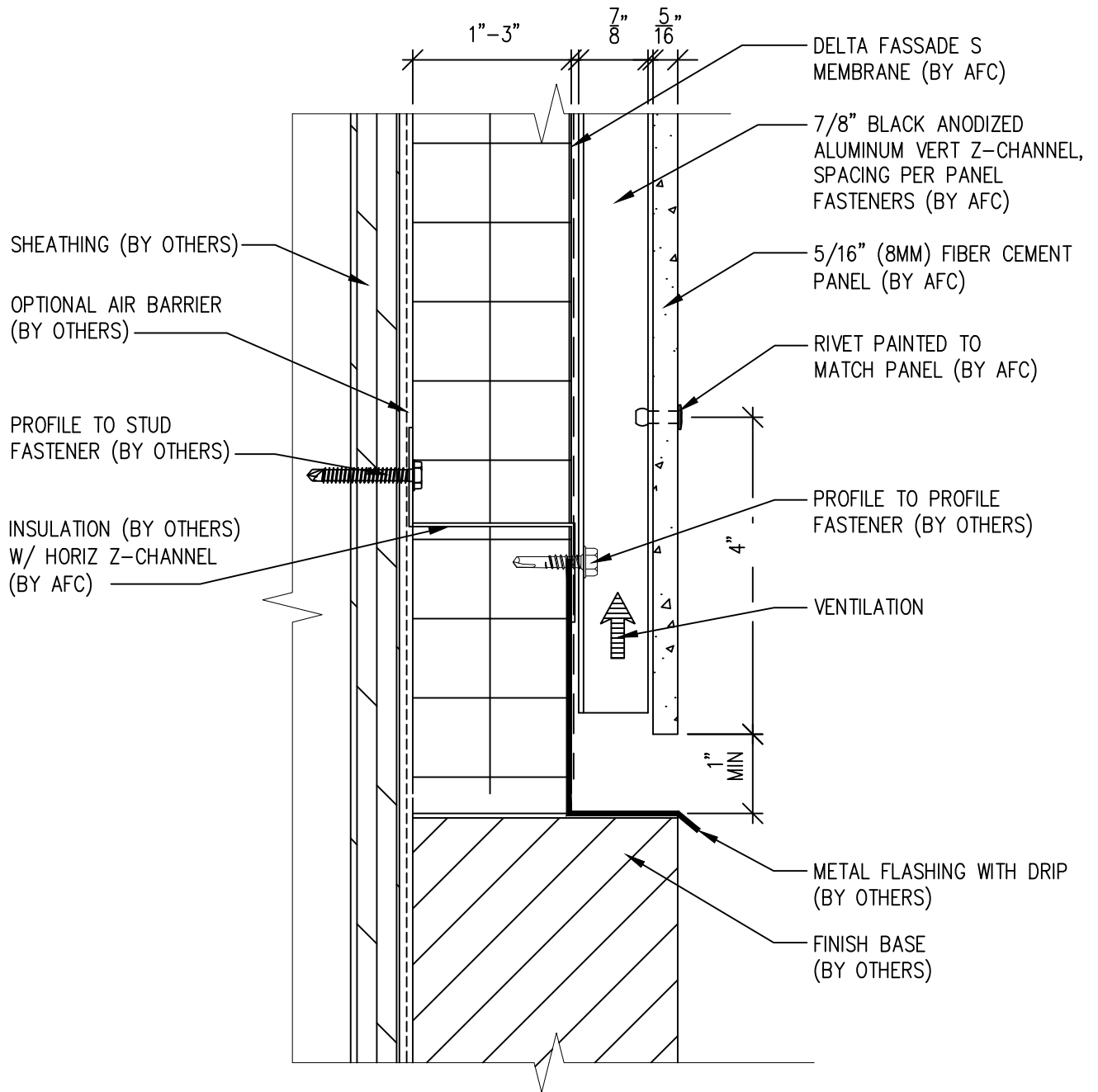
[www.americanfibercement.com](http://www.americanfibercement.com)

Ref.:  
Not Permitted @  
Break in Substrate

Date: 06/07/2023



# TWO-LAYER ALUMINUM ATTACHMENT SYSTEM With Horizontal Hat-Channel



SCALE: 6"=1'-0"

**NOTES:**

1. PANEL VERTICAL AND HORIZONTAL JOINT SPACING SHOULD BE 3/8" TYPICAL.



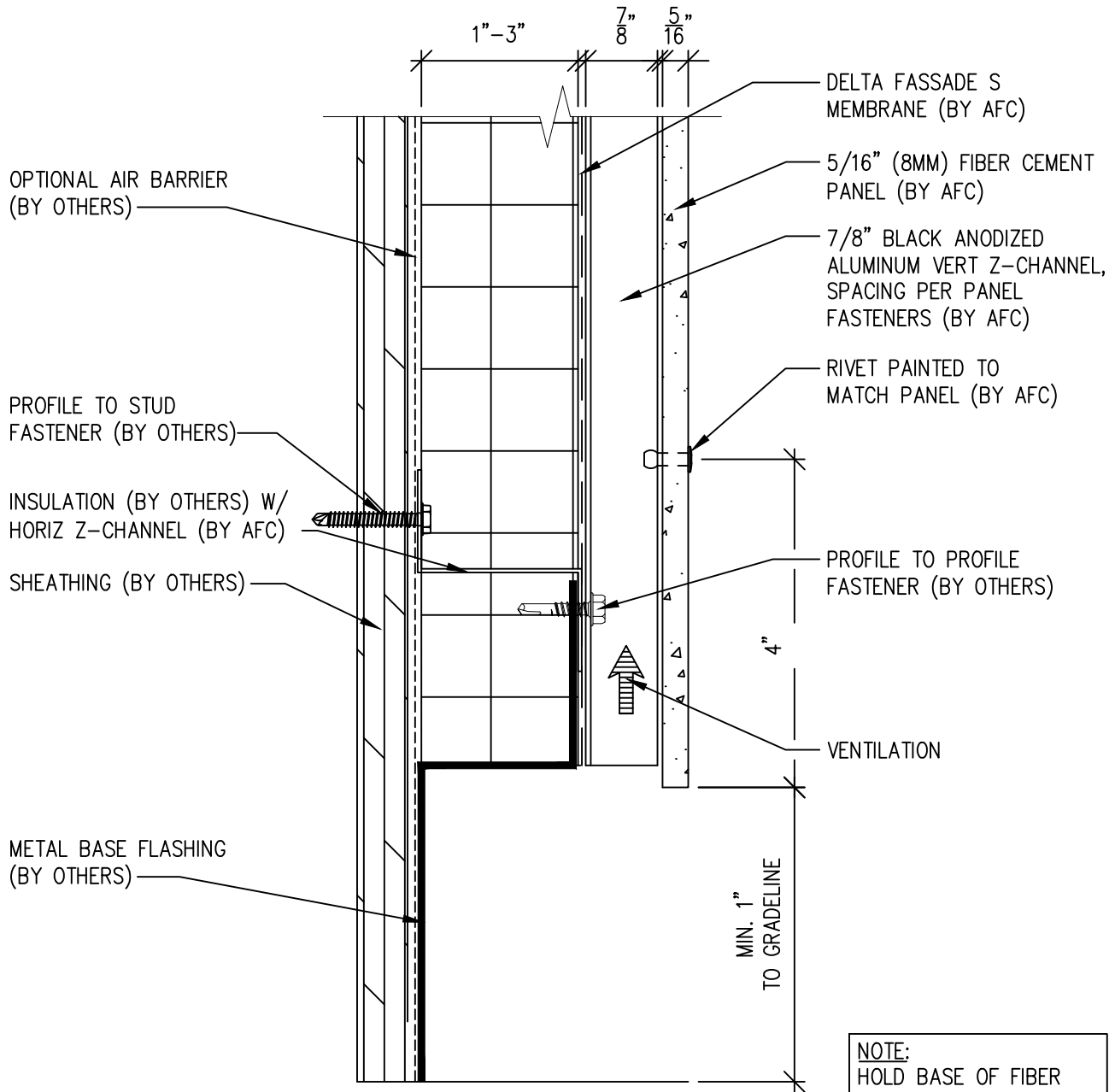
(303) 972-5107  
6901 S Pierce St #180  
Littleton, CO 80128

[www.americanfibercement.com](http://www.americanfibercement.com)

Ref.:  
Bottom of Panel @  
Wall Base

Date: 06/07/2023

# TWO-LAYER ALUMINUM ATTACHMENT SYSTEM With Horizontal Hat-Channel



**NOTE:**  
HOLD BASE OF FIBER CEMENT PANEL 6"-12" OFF GRADE BASED ON EXPECTED SNOW BUILDUP



SCALE: 6"=1'-0"

**NOTES:**

1. PANEL VERTICAL AND HORIZONTAL JOINT SPACING SHOULD BE 3/8" TYPICAL.

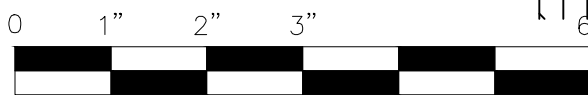
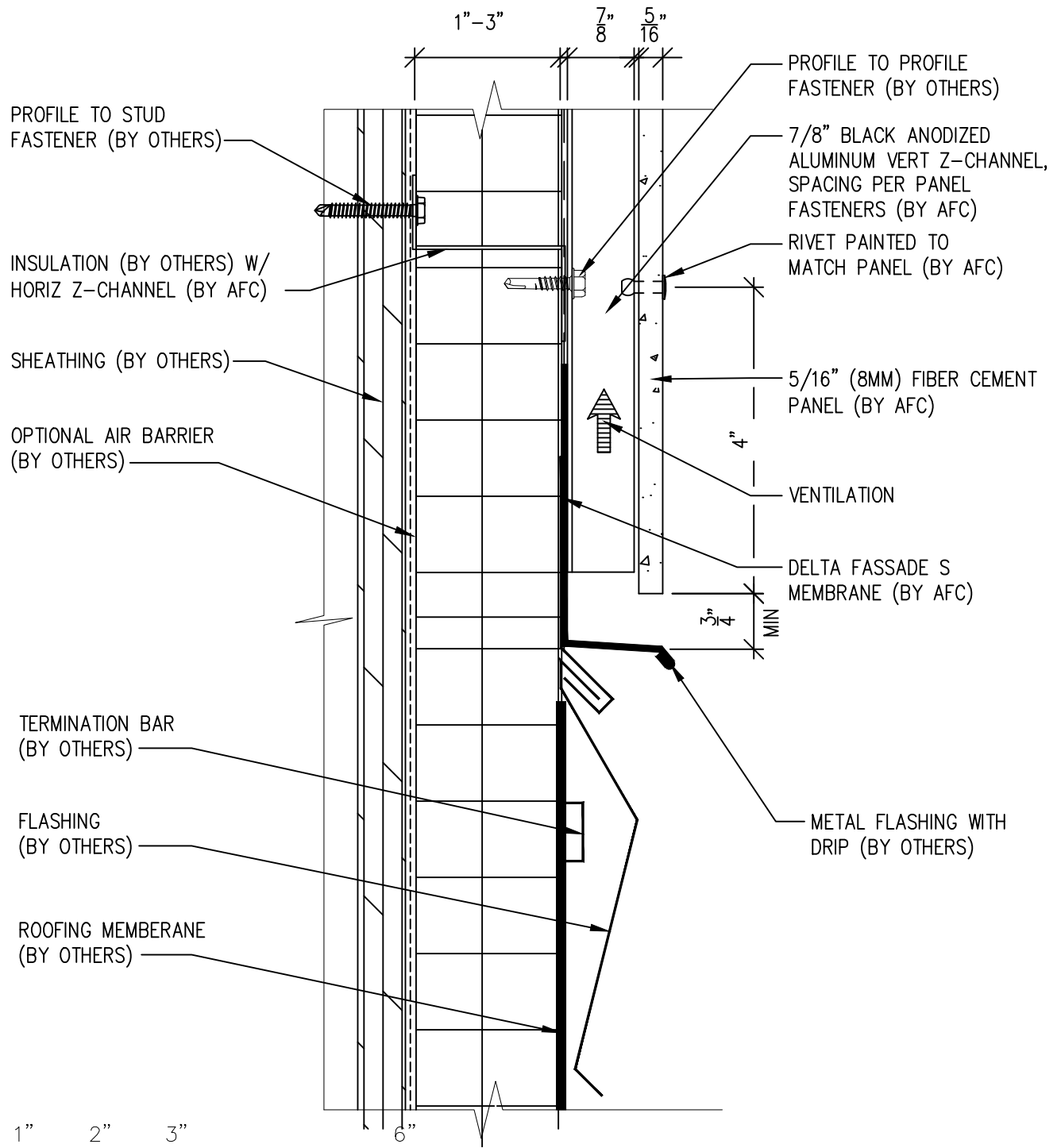


(303) 972-5107  
6901 S Pierce St #180  
Littleton, CO 80128  
[www.americanfiber cement.com](http://www.americanfiber cement.com)

Ref.:  
Bottom of Panel @  
Open Termination

Date: 06/07/2023

# TWO-LAYER ALUMINUM ATTACHMENT SYSTEM With Horizontal Hat-Channel



SCALE: 6" = 1'-0"

**NOTES:**

1. PANEL VERTICAL AND HORIZONTAL JOINT SPACING SHOULD BE 3/8" TYPICAL.

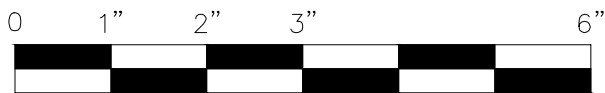
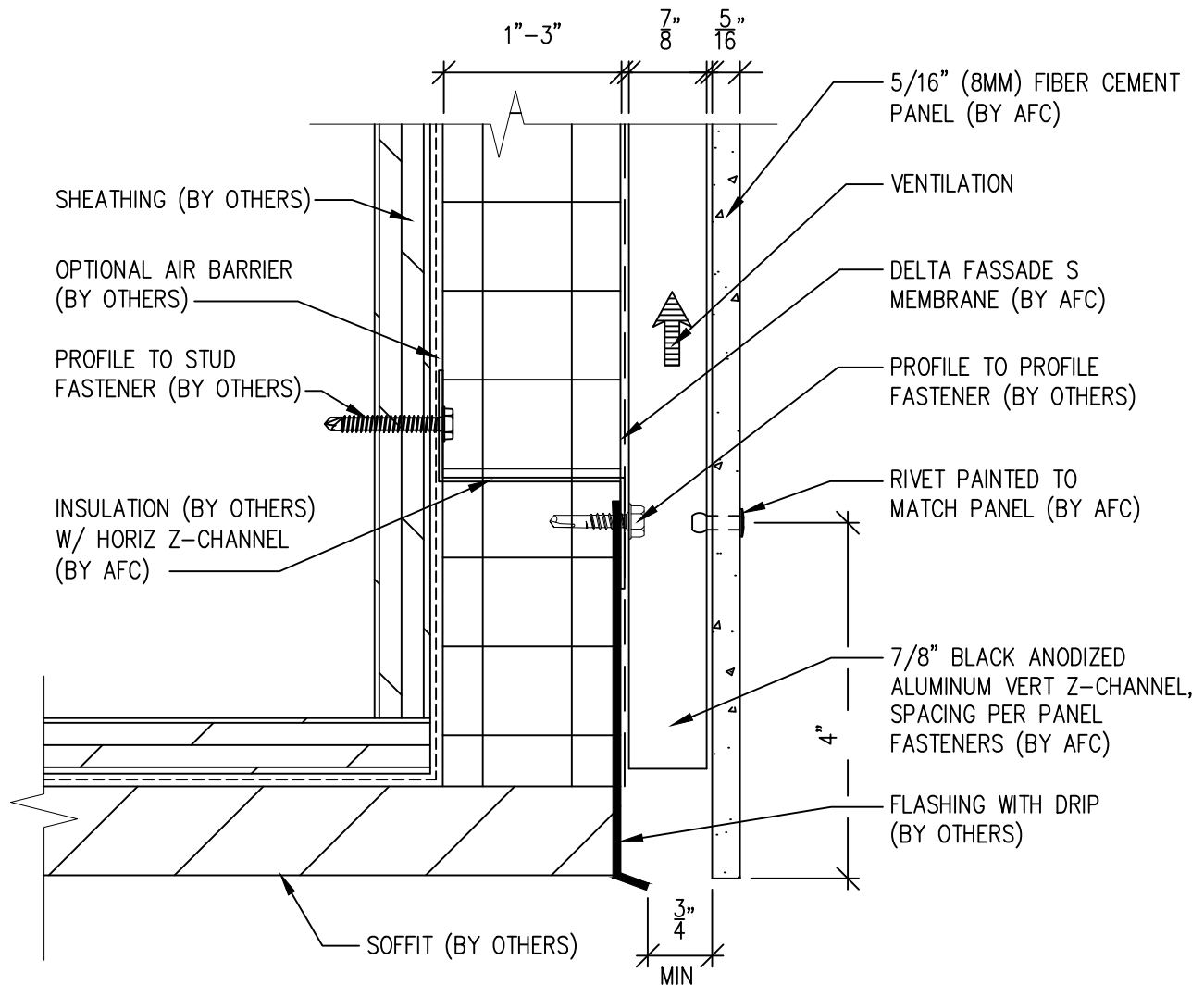


(303) 972-5107  
6901 S Pierce St #180  
Littleton, CO 80128  
[www.americanfiberceement.com](http://www.americanfiberceement.com)

Ref.:  
Bottom of Panel @  
Low Roof Flashing

Date: 06/07/2023

# TWO-LAYER ALUMINUM ATTACHMENT SYSTEM With Horizontal Hat-Channel



SCALE: 6"=1'-0"

**NOTES:**

1. PANEL VERTICAL AND HORIZONTAL JOINT SPACING SHOULD BE 3/8" TYPICAL.

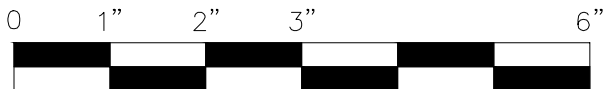
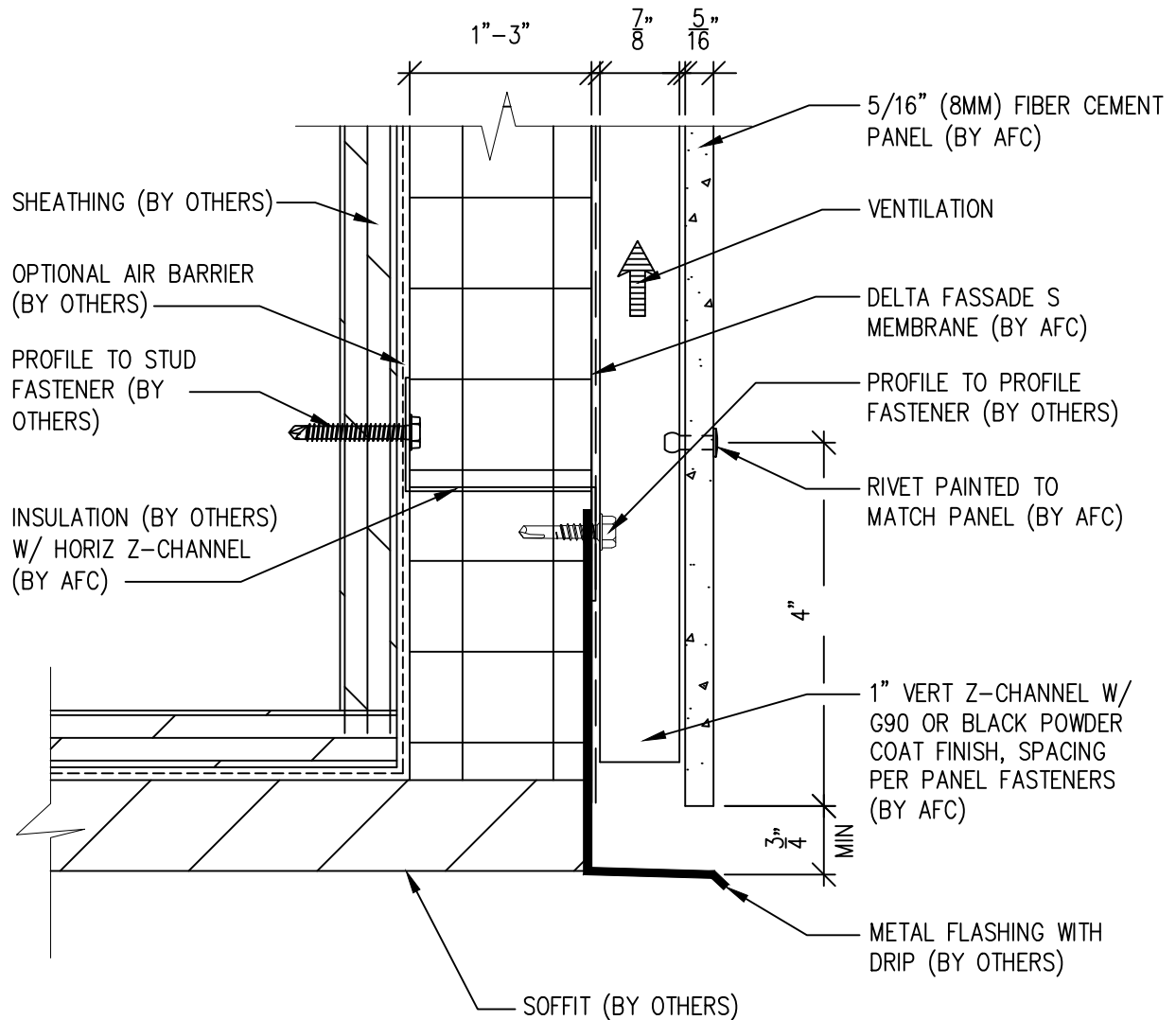


(303) 972-5107  
6901 S Pierce St #180  
Littleton, CO 80128  
[www.americanfibercement.com](http://www.americanfibercement.com)

Ref.:  
Bottom of Panel @  
Soffit

Date: 06/07/2023

# TWO-LAYER ALUMINUM ATTACHMENT SYSTEM With Horizontal Hat-Channel



SCALE: 6"=1'-0"

**NOTES:**

1. PANEL VERTICAL AND HORIZONTAL JOINT SPACING SHOULD BE 3/8" TYPICAL.



(303) 972-5107  
6901 S Pierce St #180  
Littleton, CO 80128

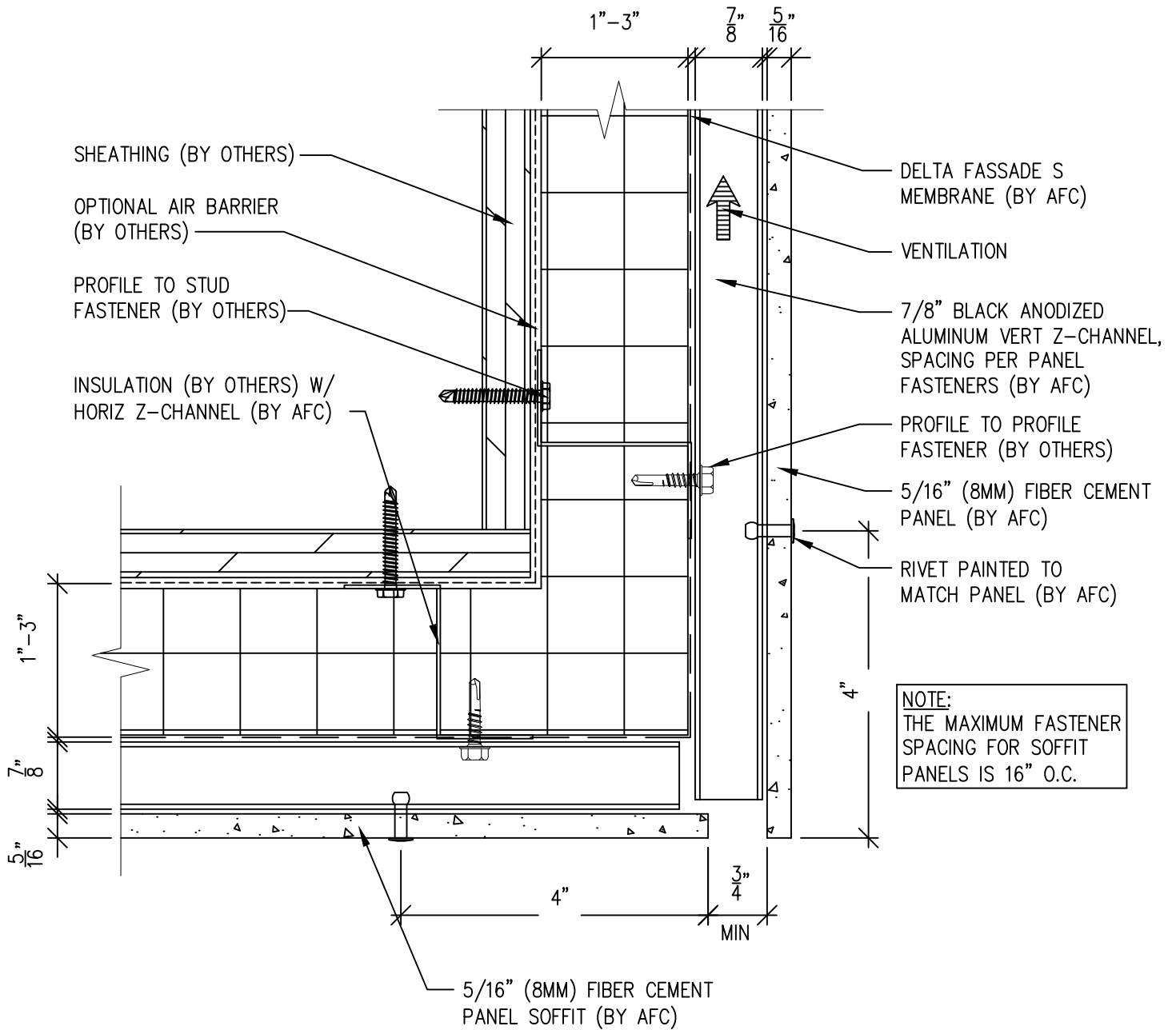
[www.americanfibercement.com](http://www.americanfibercement.com)

Ref.:

Bottom of Panel @  
Soffit (Alternate)

Date: 06/07/2023

# TWO-LAYER ALUMINUM ATTACHMENT SYSTEM With Horizontal Hat-Channel



SCALE: 6"=1'-0"

**NOTES:**

1. PANEL VERTICAL AND HORIZONTAL JOINT SPACING SHOULD BE 3/8" TYPICAL.



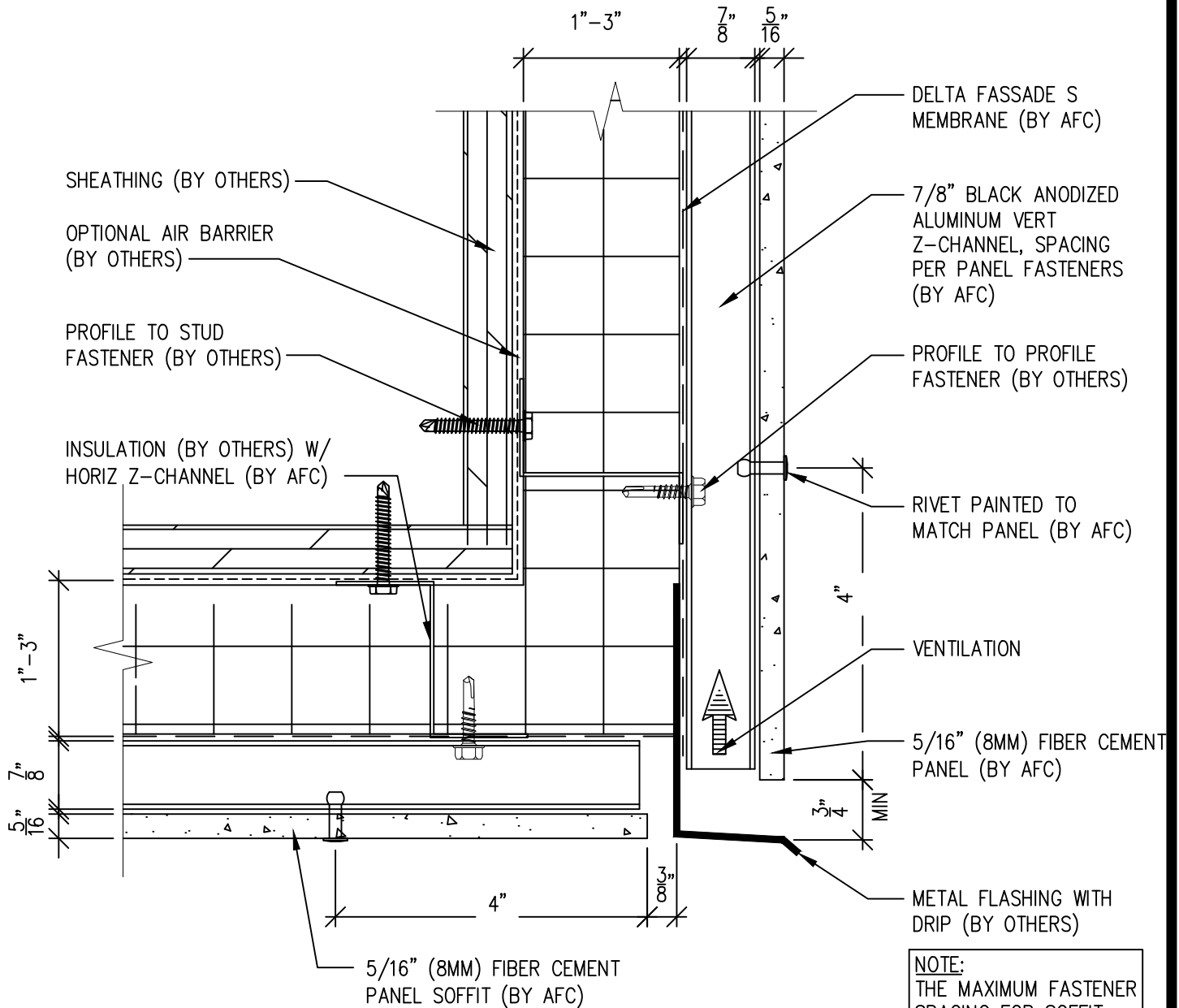
(303) 972-5107  
6901 S Pierce St #180  
Littleton, CO 80128

[www.americanfibercement.com](http://www.americanfibercement.com)

Ref.:  
Bottom of Panel @  
F.C.P. Soffit

Date: 06/07/2023

# TWO-LAYER ALUMINUM ATTACHMENT SYSTEM With Horizontal Hat-Channel



SCALE: 6"=1'-0"

**NOTES:**

1. PANEL VERTICAL AND HORIZONTAL JOINT SPACING SHOULD BE 3/8" TYPICAL.

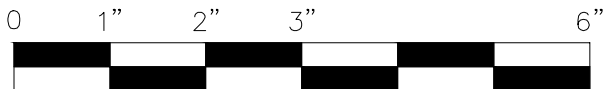
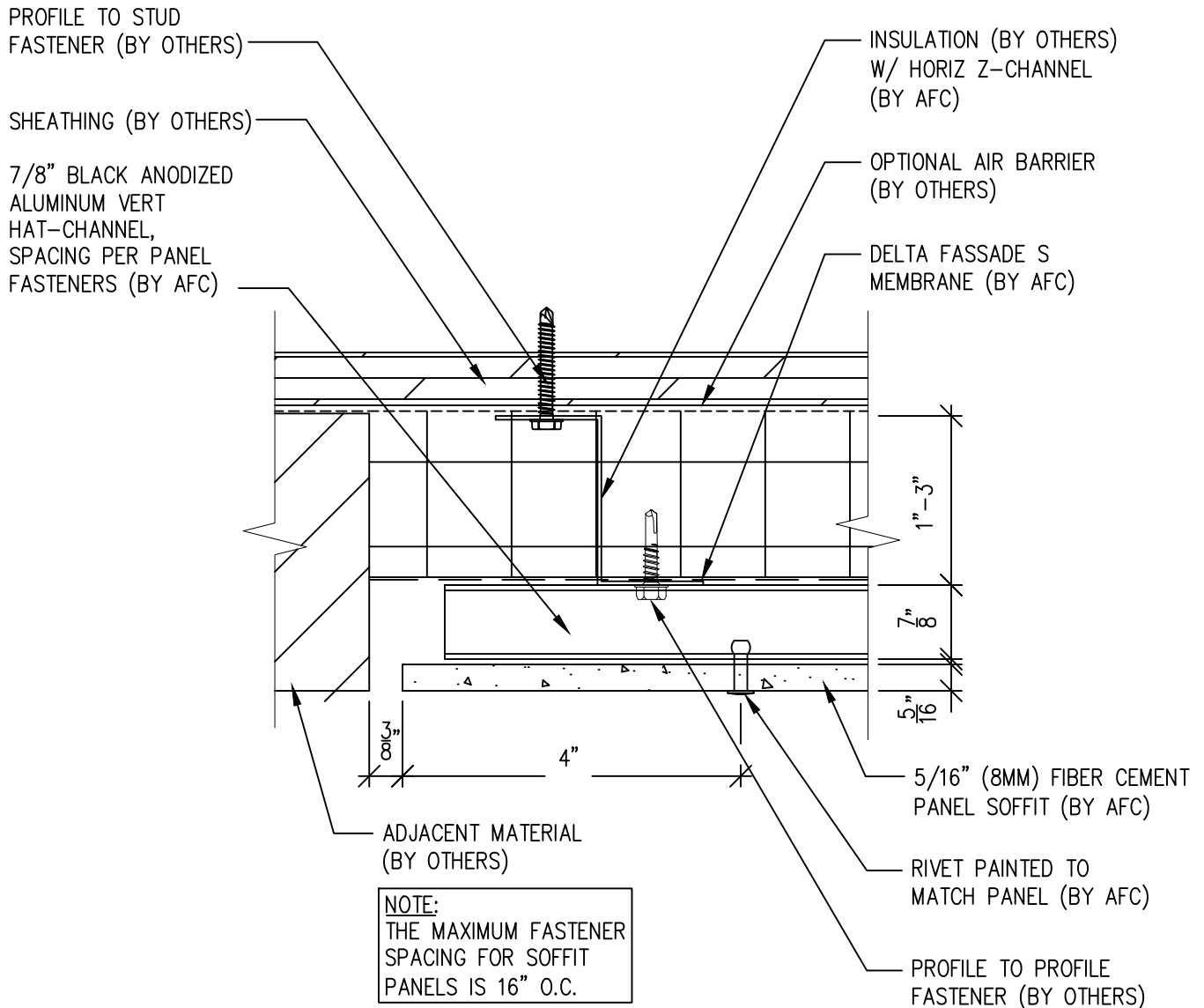


(303) 972-5107  
6901 S Pierce St #180  
Littleton, CO 80128  
[www.americanfibercement.com](http://www.americanfibercement.com)

Ref.:  
Bottom of Panel @  
F.C.P. Soffit (Alternate)

Date: 06/07/2023

# TWO-LAYER ALUMINUM ATTACHMENT SYSTEM With Horizontal Hat-Channel



SCALE: 6" = 1'-0"

**NOTES:**

1. PANEL VERTICAL AND HORIZONTAL JOINT SPACING SHOULD BE 3/8" TYPICAL.



(303) 972-5107  
6901 S Pierce St #180  
Littleton, CO 80128

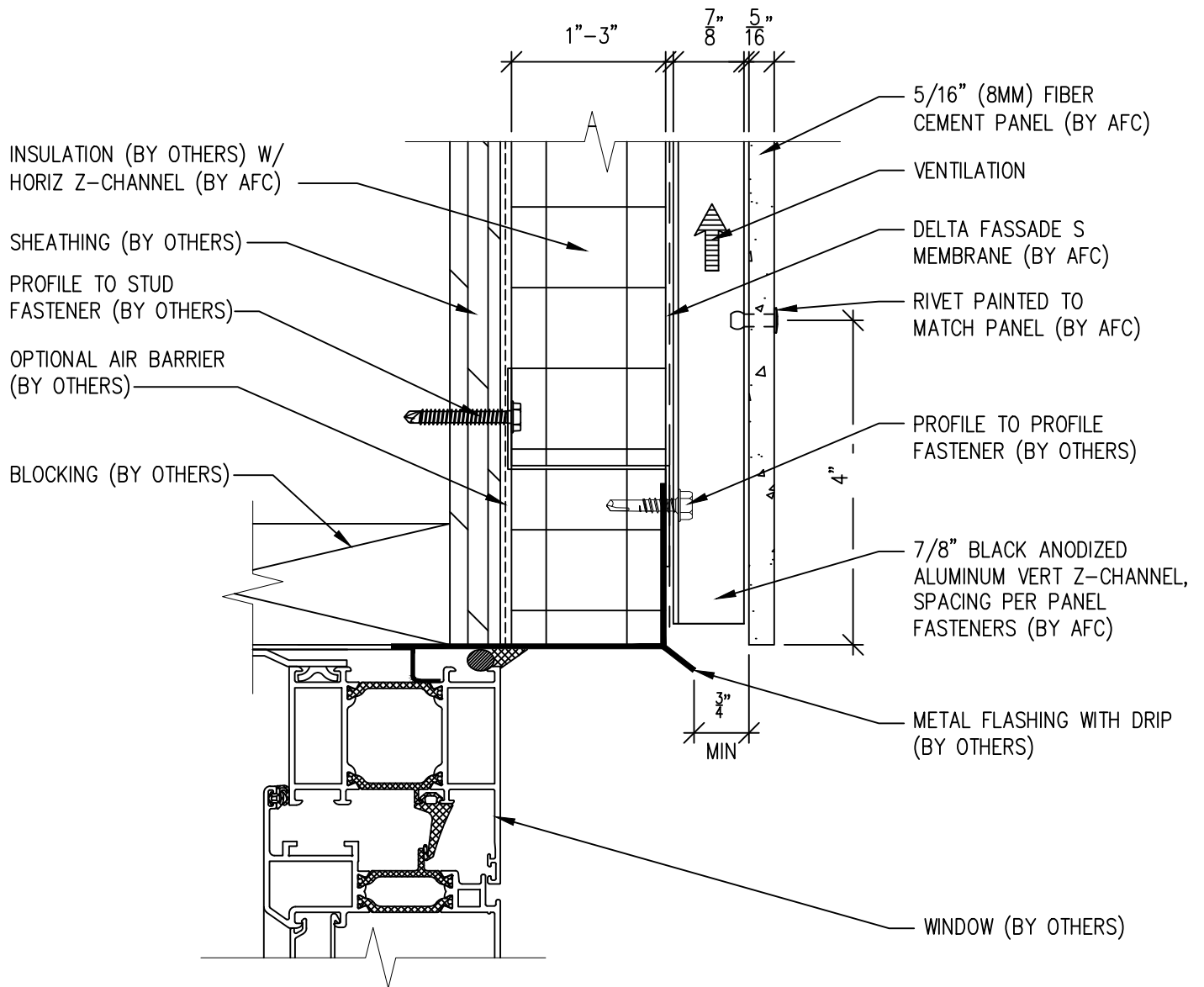
[www.americanfiber cement.com](http://www.americanfiber cement.com)

Ref.:  
Soffit Termination @  
Adjacent Material

Date: 06/07/2023



# TWO-LAYER ALUMINUM ATTACHMENT SYSTEM With Horizontal Hat-Channel



SCALE: 6"=1'-0"

**NOTES:**

1. PANEL VERTICAL AND HORIZONTAL JOINT SPACING SHOULD BE 3/8" TYPICAL.



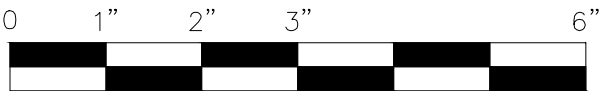
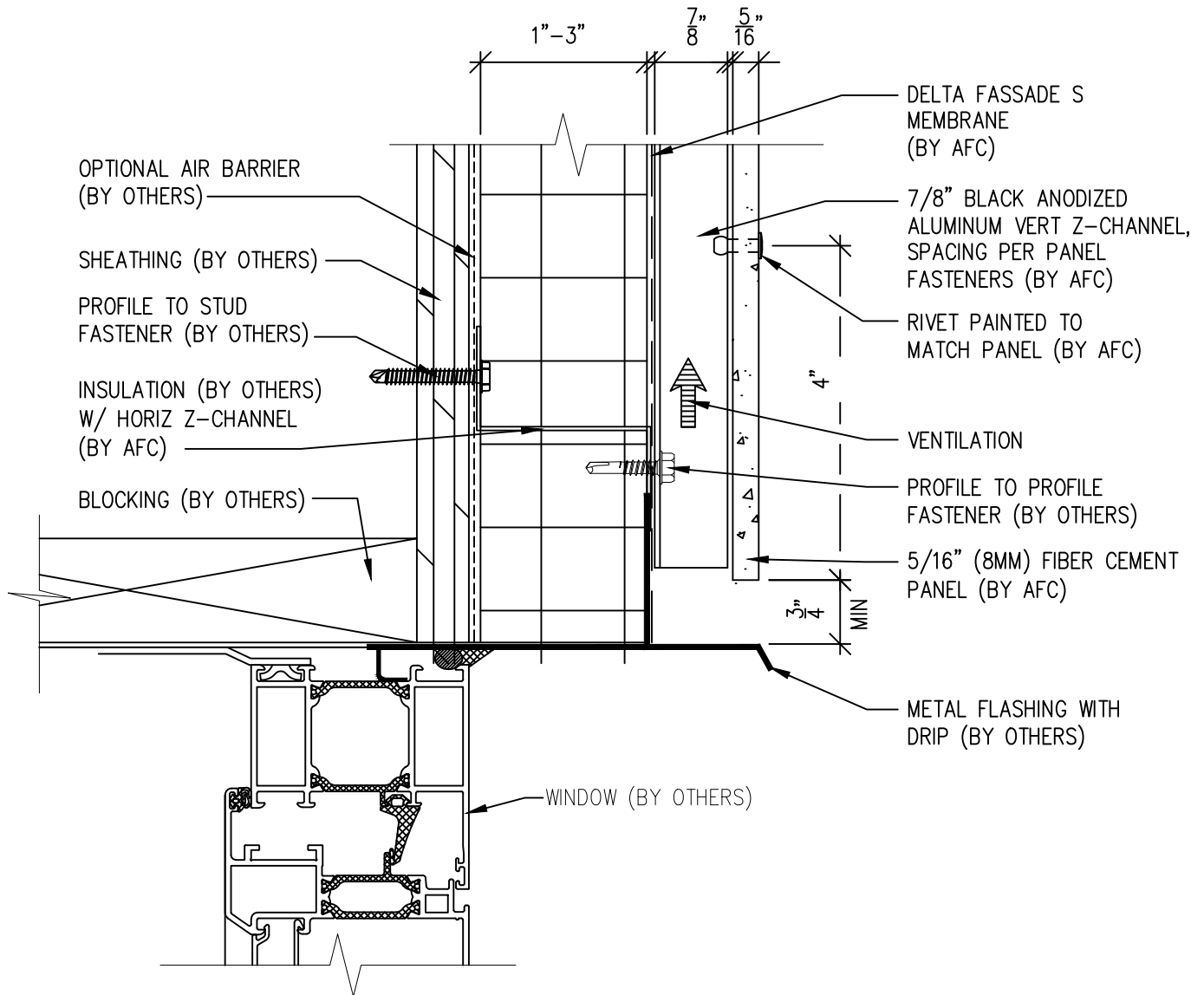
(303) 972-5107  
6901 S Pierce St #180  
Littleton, CO 80128

[www.americanfibercement.com](http://www.americanfibercement.com)

Ref.:  
Bottom of Panel @  
Window Head

Date: 06/07/2023

# TWO-LAYER ALUMINUM ATTACHMENT SYSTEM With Horizontal Hat-Channel



SCALE: 6" = 1'-0"

**NOTES:**

1. PANEL VERTICAL AND HORIZONTAL JOINT SPACING SHOULD BE 3/8" TYPICAL.



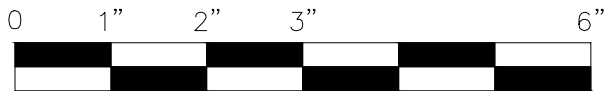
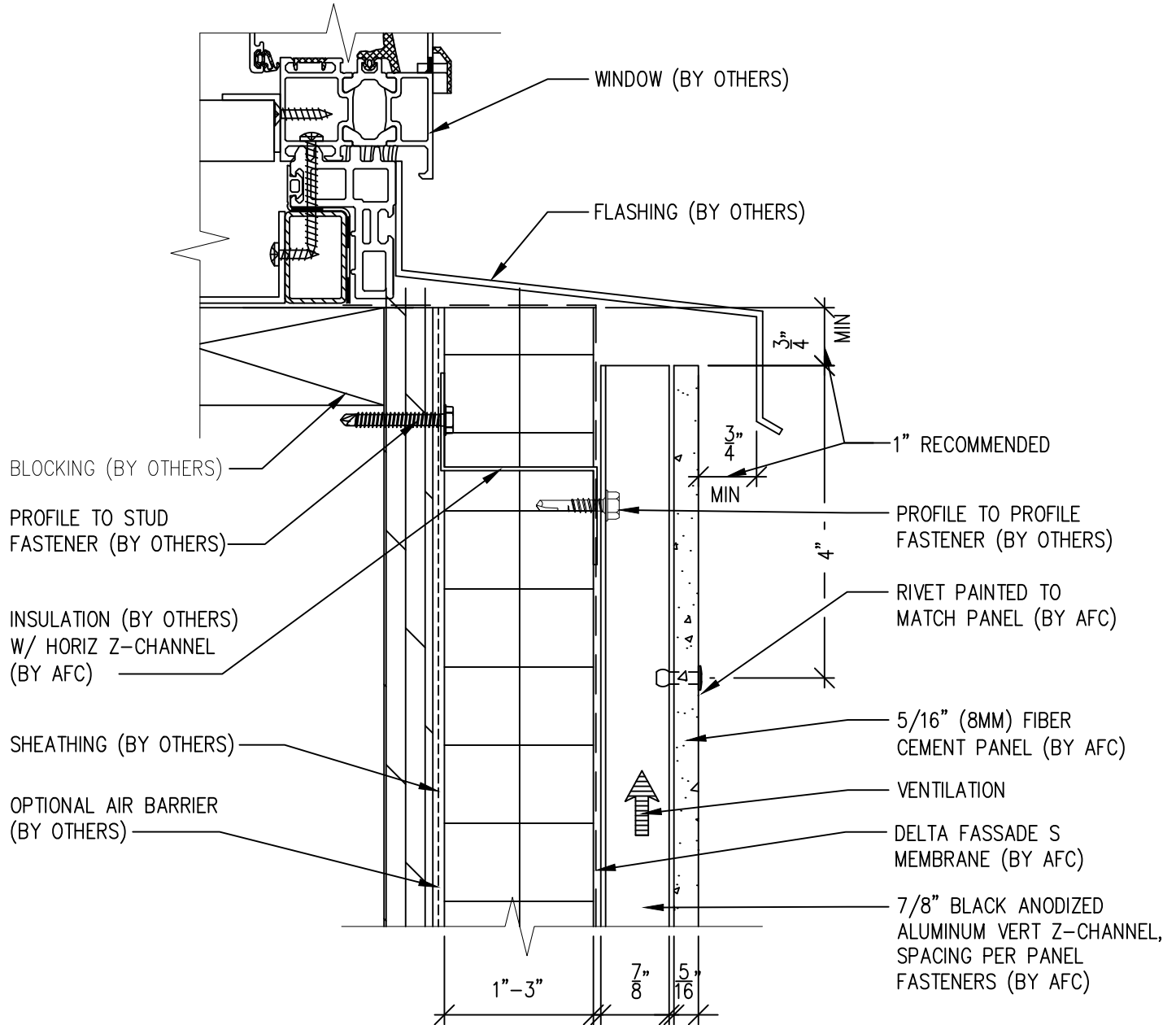
(303) 972-5107  
6901 S Pierce St #180  
Littleton, CO 80128

[www.americanfiber cement.com](http://www.americanfiber cement.com)

Ref.:  
Bottom of Panel @  
Window Head(Alternate)

Date: 06/07/2023

# TWO-LAYER ALUMINUM ATTACHMENT SYSTEM With Horizontal Hat-Channel



SCALE: 6"=1'-0"

**NOTES:**

1. PANEL VERTICAL AND HORIZONTAL JOINT SPACING SHOULD BE 3/8" TYPICAL.

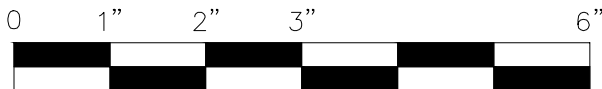
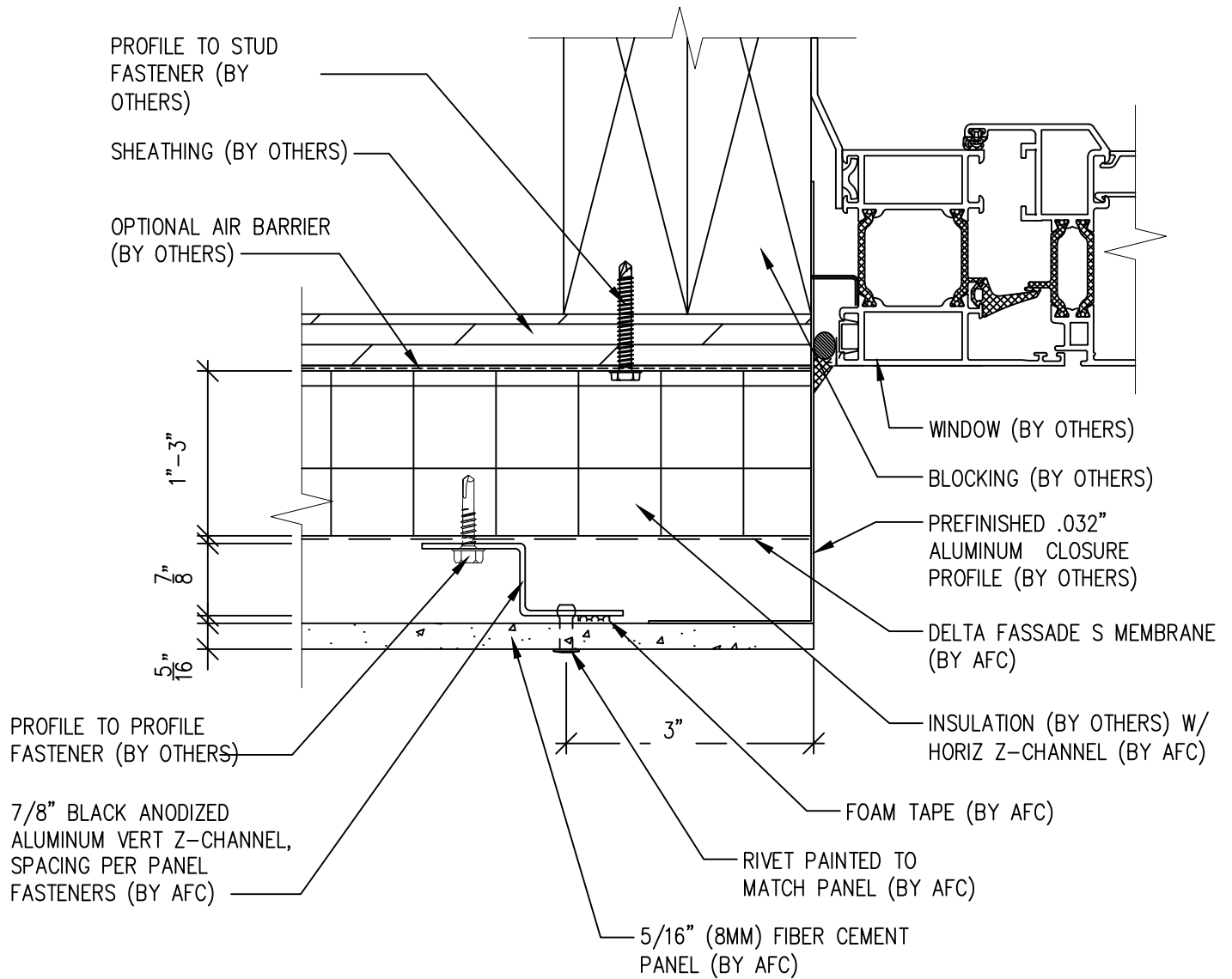


(303) 972-5107  
6901 S Pierce St #180  
Littleton, CO 80128  
[www.americanfibercement.com](http://www.americanfibercement.com)

Ref.:  
Top of Panel @  
Window Sill

Date: 06/07/2023

# TWO-LAYER ALUMINUM ATTACHMENT SYSTEM With Horizontal Hat-Channel



SCALE: 6"=1'-0"

**NOTES:**

1. PANEL VERTICAL AND HORIZONTAL JOINT SPACING SHOULD BE 3/8" TYPICAL.

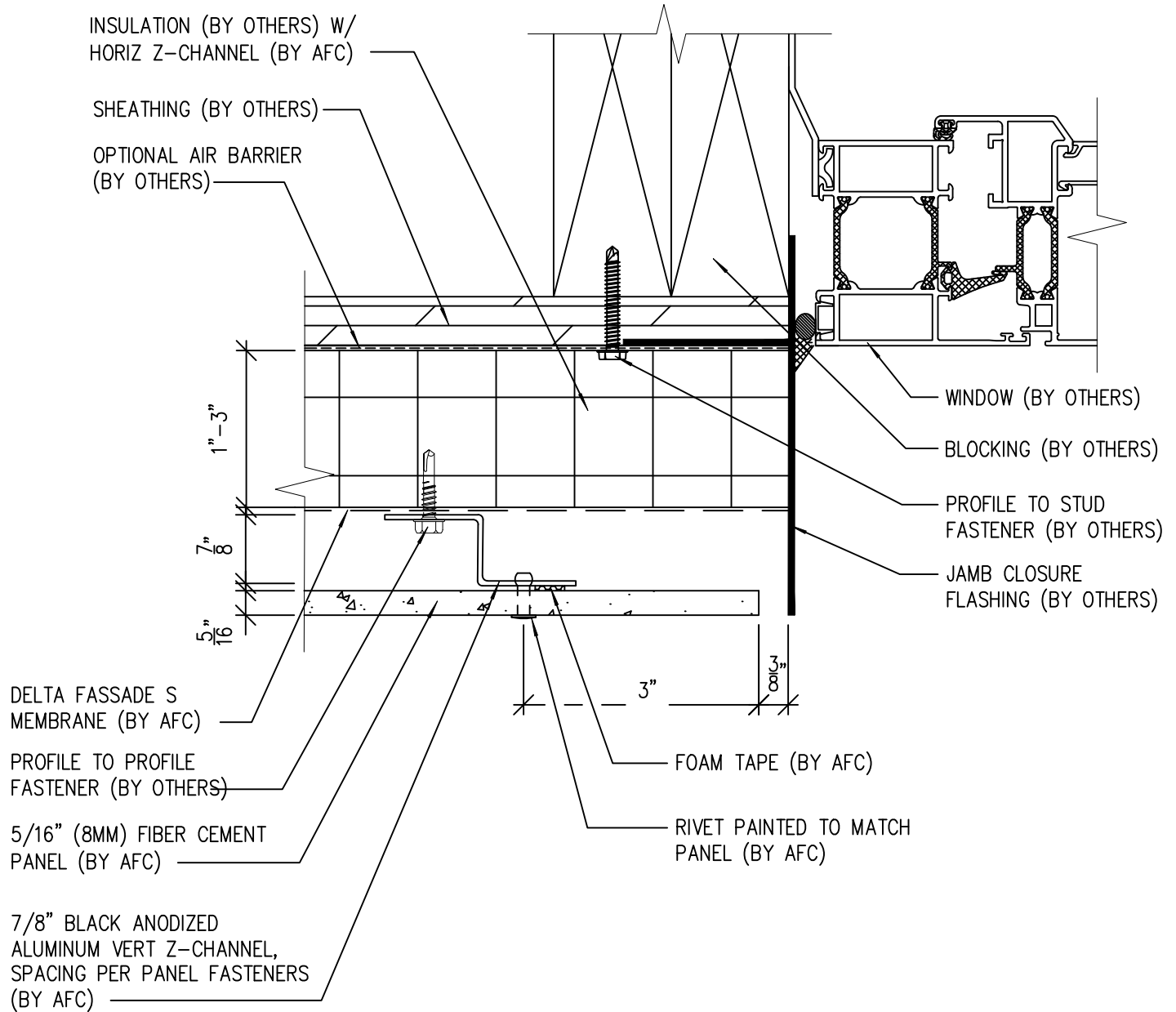


(303) 972-5107  
6901 S Pierce St #180  
Littleton, CO 80128  
[www.americanfiberceent.com](http://www.americanfiberceent.com)

Ref.:  
Panel Edge @  
Window Jamb

Date: 06/07/2023

# TWO-LAYER ALUMINUM ATTACHMENT SYSTEM With Horizontal Hat-Channel



SCALE: 6" = 1'-0"

**NOTES:**

1. PANEL VERTICAL AND HORIZONTAL JOINT SPACING SHOULD BE 3/8" TYPICAL.



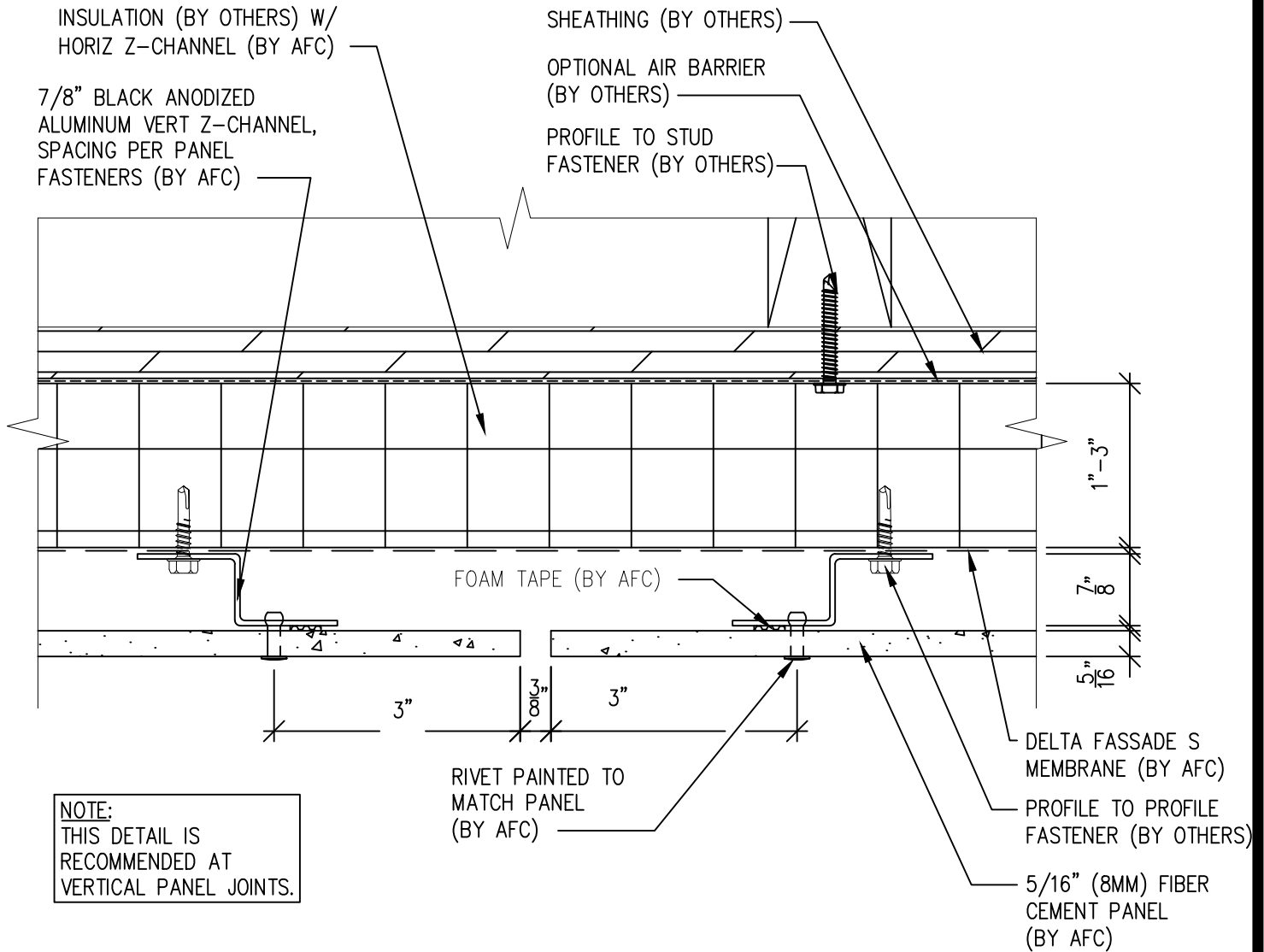
(303) 972-5107  
6901 S Pierce St #180  
Littleton, CO 80128

[www.americanfibercement.com](http://www.americanfibercement.com)

Ref.:  
Panel Edge @  
Window Jamb (Alternate)

Date: 06/07/2023

# TWO-LAYER ALUMINUM ATTACHMENT SYSTEM With Horizontal Hat-Channel



SCALE: 6" = 1'-0"

**NOTES:**

1. PANEL VERTICAL AND HORIZONTAL JOINT SPACING SHOULD BE 3/8" TYPICAL.



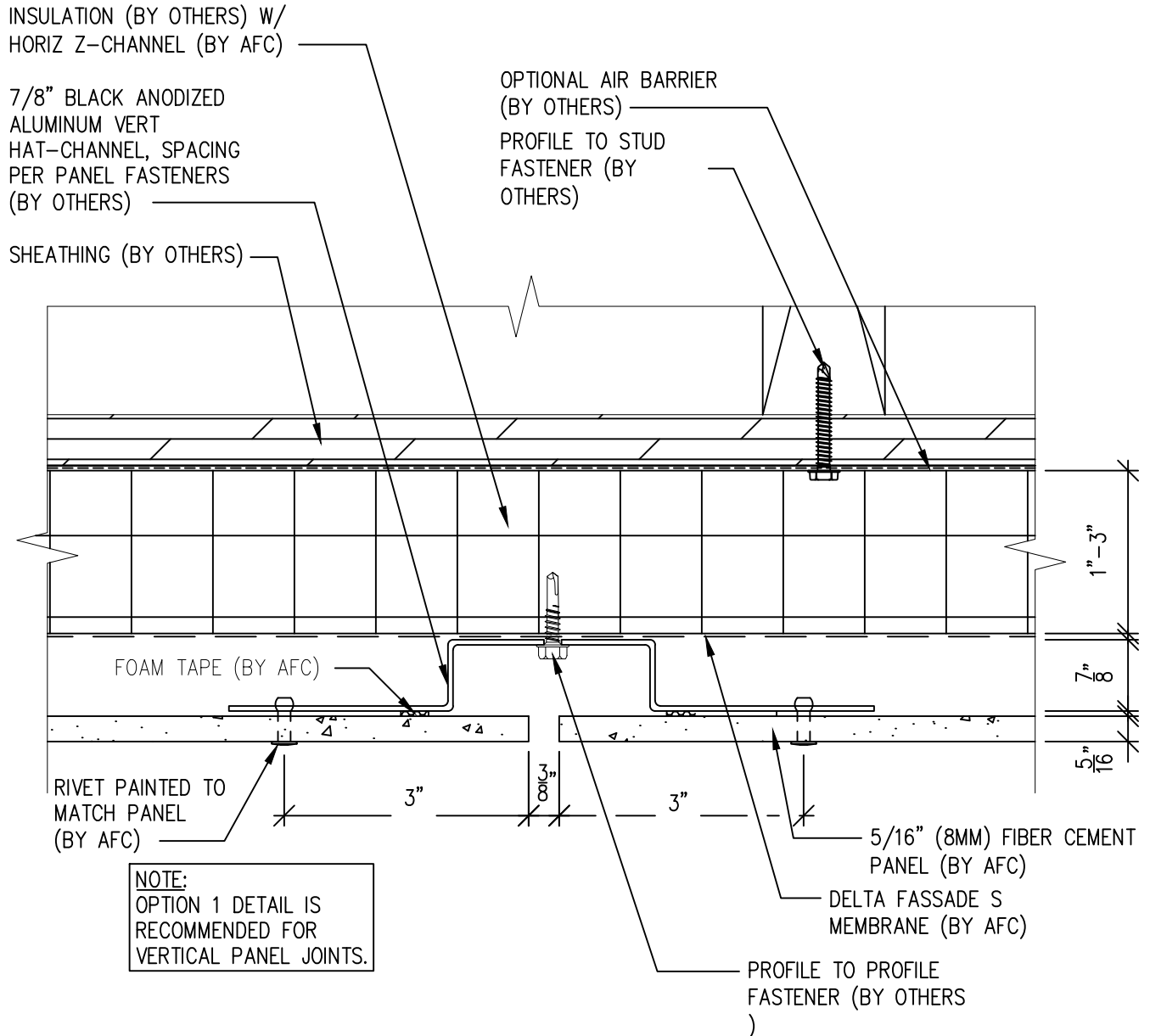
(303) 972-5107  
6901 S Pierce St #180  
Littleton, CO 80128

[www.americanfibercement.com](http://www.americanfibercement.com)

Ref.:  
Vertical Panel Joint  
Option 1

Date: 06/07/2023

# TWO-LAYER ALUMINUM ATTACHMENT SYSTEM With Horizontal Hat-Channel



SCALE: 6"=1'-0"

**NOTES:**

1. PANEL VERTICAL AND HORIZONTAL JOINT SPACING SHOULD BE 3/8" TYPICAL.



(303) 972-5107  
6901 S Pierce St #180  
Littleton, CO 80128  
[www.americanfibercement.com](http://www.americanfibercement.com)

Ref.:  
Vertical Panel Joint  
Option 2

Date: 06/07/2023

# TWO-LAYER ALUMINUM ATTACHMENT SYSTEM With Horizontal Hat-Channel

PROFILE TO STUD  
FASTENER (BY OTHERS)

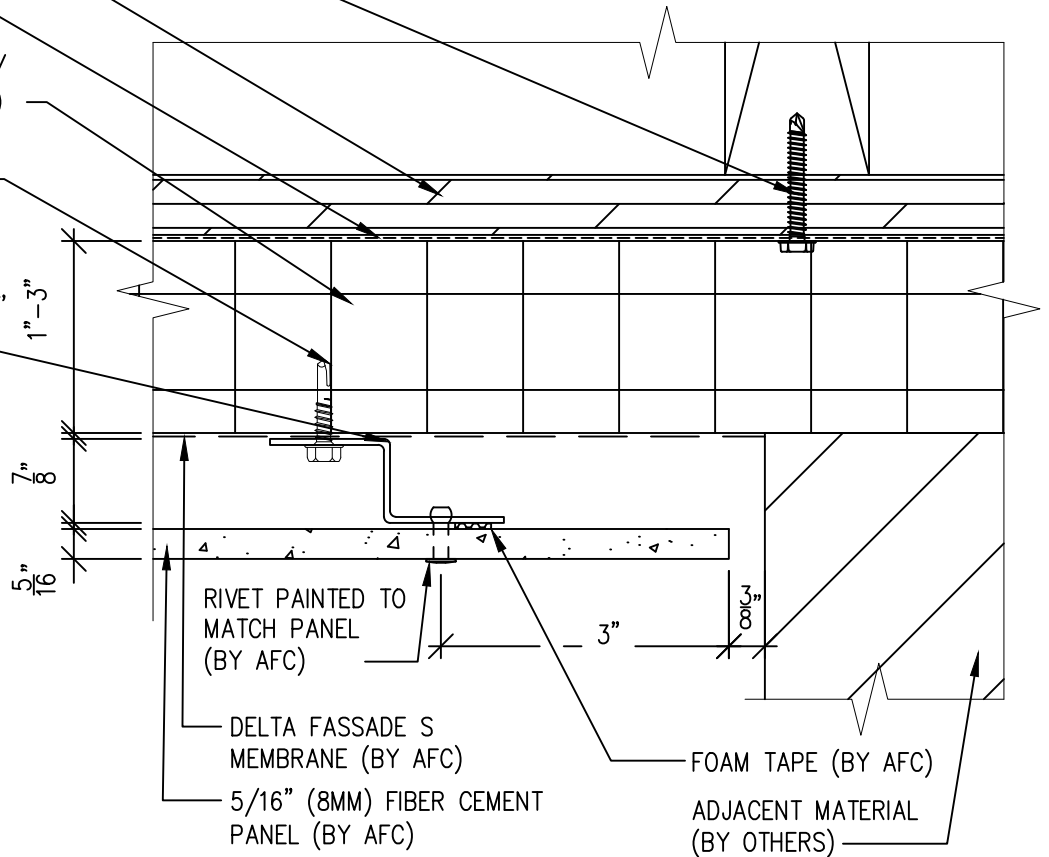
SHEATHING (BY OTHERS)

OPTIONAL AIR BARRIER  
(BY OTHERS)

INSULATION (BY OTHERS) W/  
HORIZ Z-CHANNEL (BY AFC)

PROFILE TO PROFILE  
FASTENER (BY OTHERS)

7/8" BLACK ANODIZED  
ALUMINUM VERT Z-CHANNEL,  
SPACING PER PANEL  
FASTENERS (BY AFC)



SCALE: 6"=1'-0"

**NOTES:**

1. PANEL VERTICAL AND HORIZONTAL JOINT SPACING SHOULD BE 3/8" TYPICAL.



(303) 972-5107  
6901 S Pierce St #180  
Littleton, CO 80128

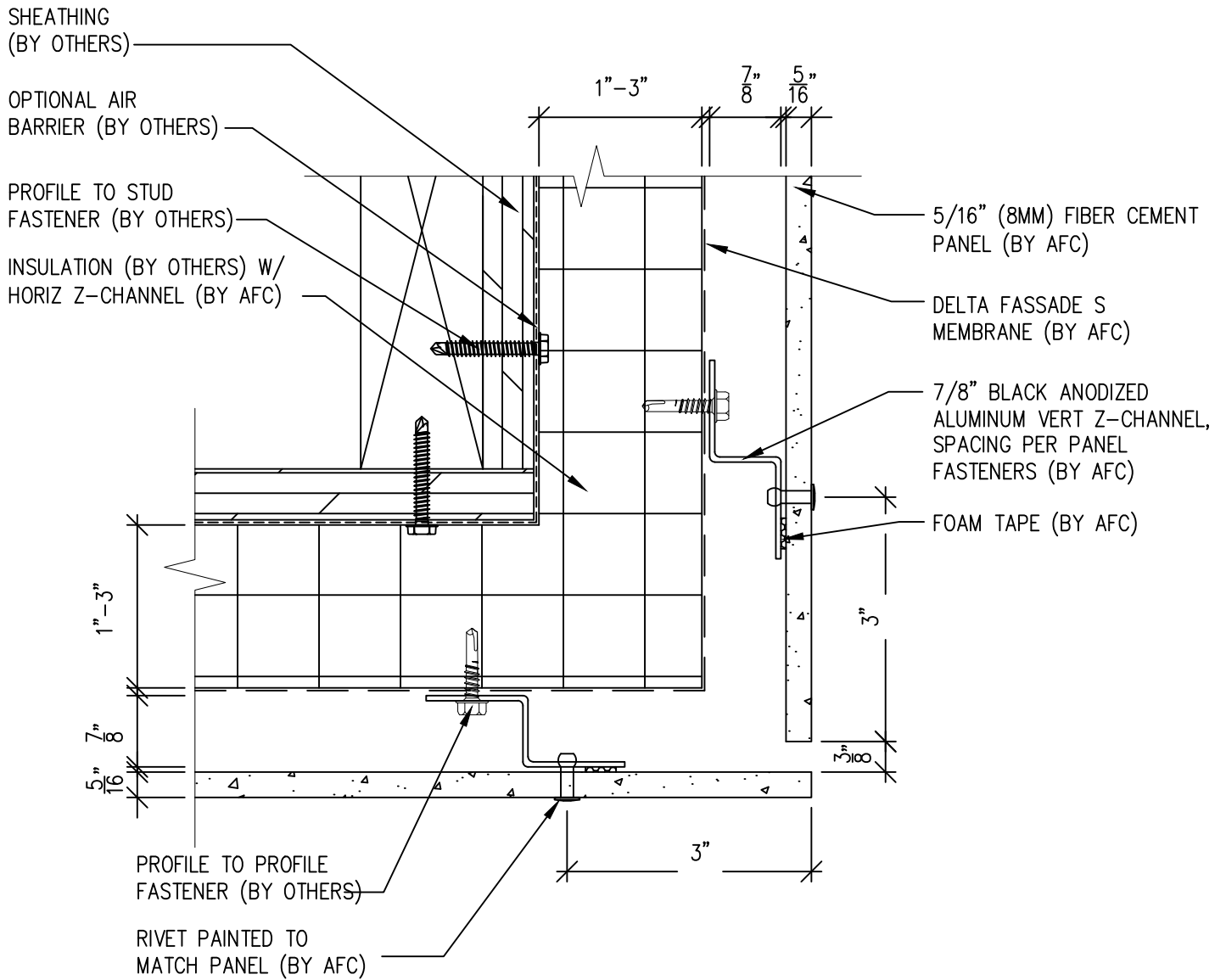
[www.americanfiberceent.com](http://www.americanfiberceent.com)

Ref.:  
Panel Edge @  
Butt Joint

Date: 06/07/2023



# TWO-LAYER ALUMINUM ATTACHMENT SYSTEM With Horizontal Hat-Channel



SCALE: 6"=1'-0"

**NOTES:**

1. PANEL VERTICAL AND HORIZONTAL JOINT SPACING SHOULD BE 3/8" TYPICAL.

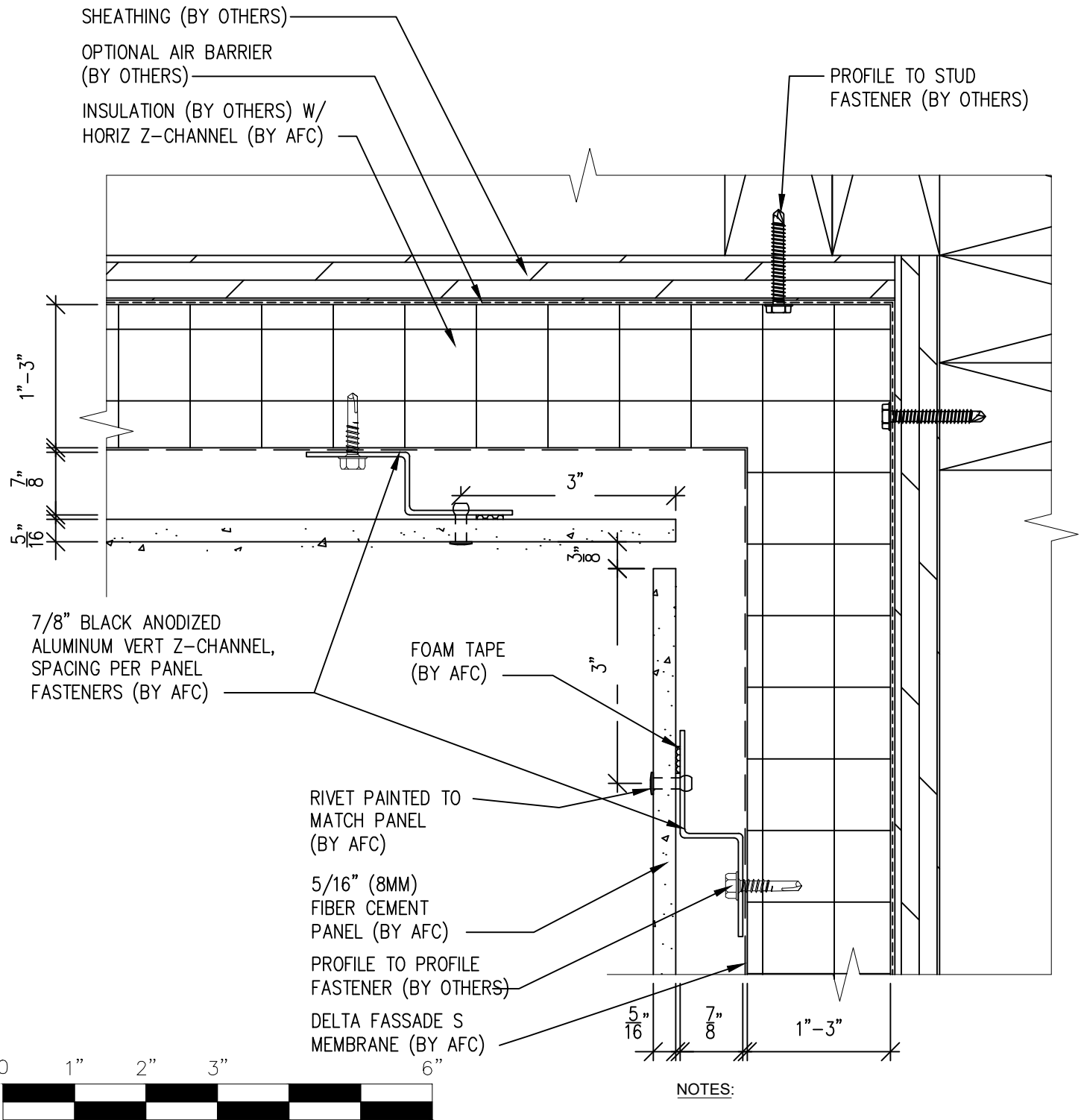


(303) 972-5107  
6901 S Pierce St #180  
Littleton, CO 80128  
[www.americanfiber cement.com](http://www.americanfiber cement.com)

Ref.:  
Panels @  
Outside Corner

Date: 06/07/2023

# TWO-LAYER ALUMINUM ATTACHMENT SYSTEM With Horizontal Hat-Channel



- NOTES:**
1. PANEL VERTICAL AND HORIZONTAL JOINT SPACING SHOULD BE 3/8" TYPICAL.



SCALE: 6"=1'-0"

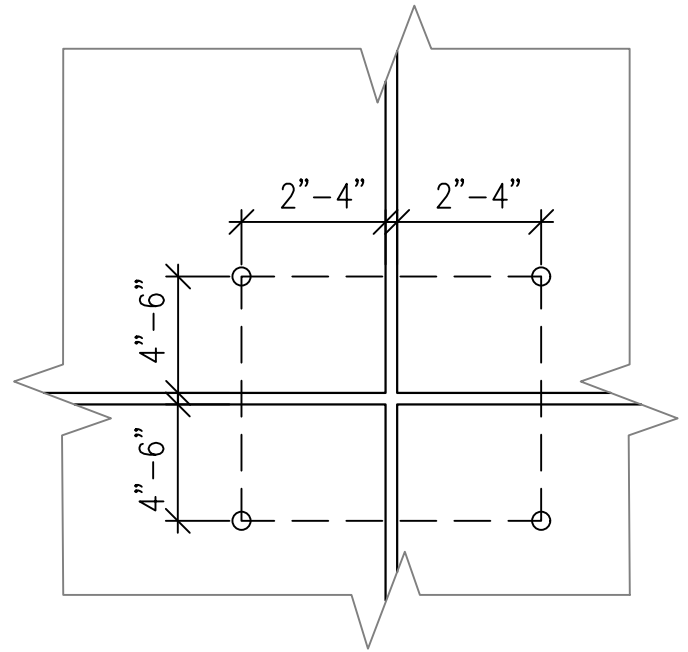
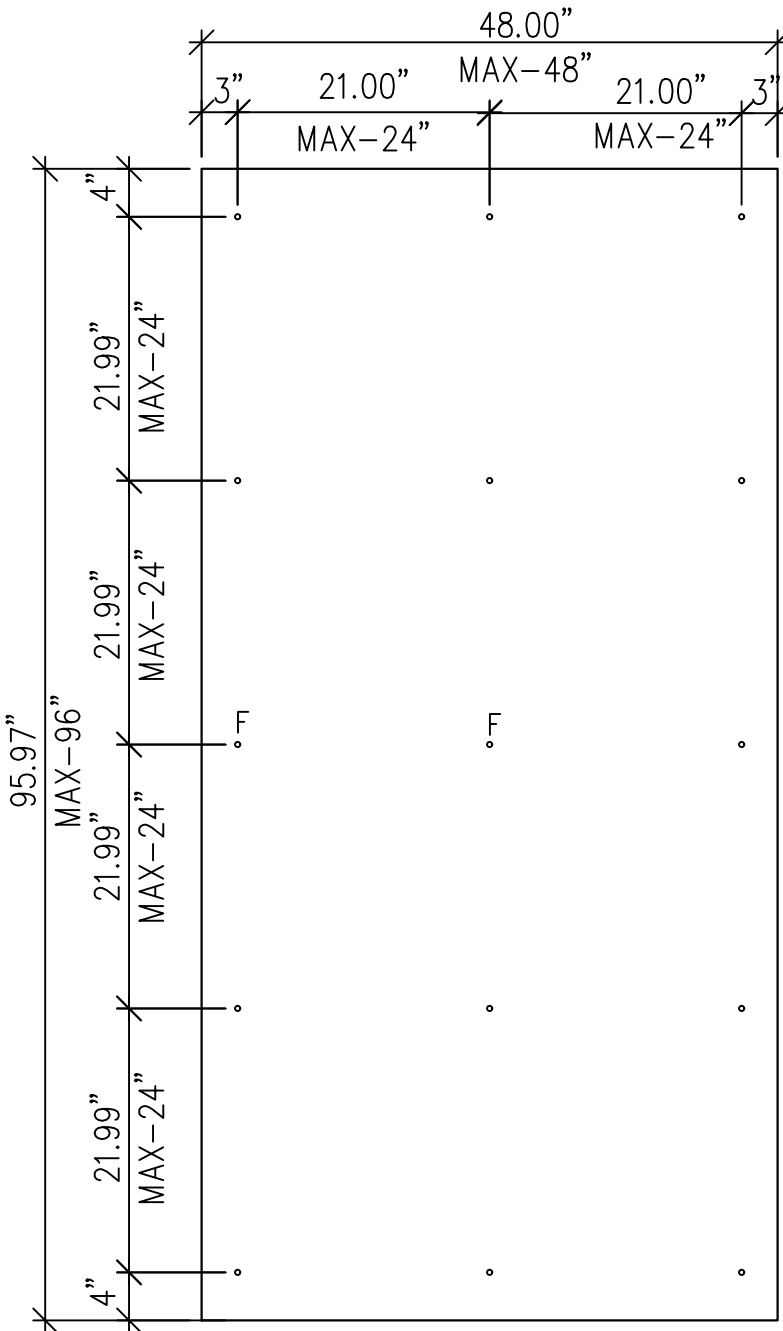


(303) 972-5107  
 6901 S Pierce St #180  
 Littleton, CO 80128  
[www.americanfiberceent.com](http://www.americanfiberceent.com)

Ref.:  
 Panels @  
 Inside Corner

Date: 06/07/2023

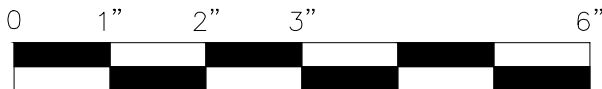
# Typical Steel And Aluminum Attachment System



Typical Edge Fasteners  
Scale 3"=1'

**DRILLING KEY :**

Metal (Steel and Aluminum) – Fixed Points 8.3 mm (Drill Bit Sourced from AFCC), Gliding Points 12mm (Drill Bit Sourced from AFCC)



SCALE 3/4"=1'-0"

**NOTES:**

1. PANEL VERTICAL AND HORIZONTAL JOINT SPACING SHOULD BE 3/8" TYPICAL.



(303) 972-5107  
 6901 S Pierce St #180  
 Littleton, CO 80128  
[www.americanfibercement.com](http://www.americanfibercement.com)

Ref.:  
 Typical Fastner layout

Date: 06/07/2023