

One Layer Steel Attachment System with Adhesive



AMERICAN
FIBER CEMENT



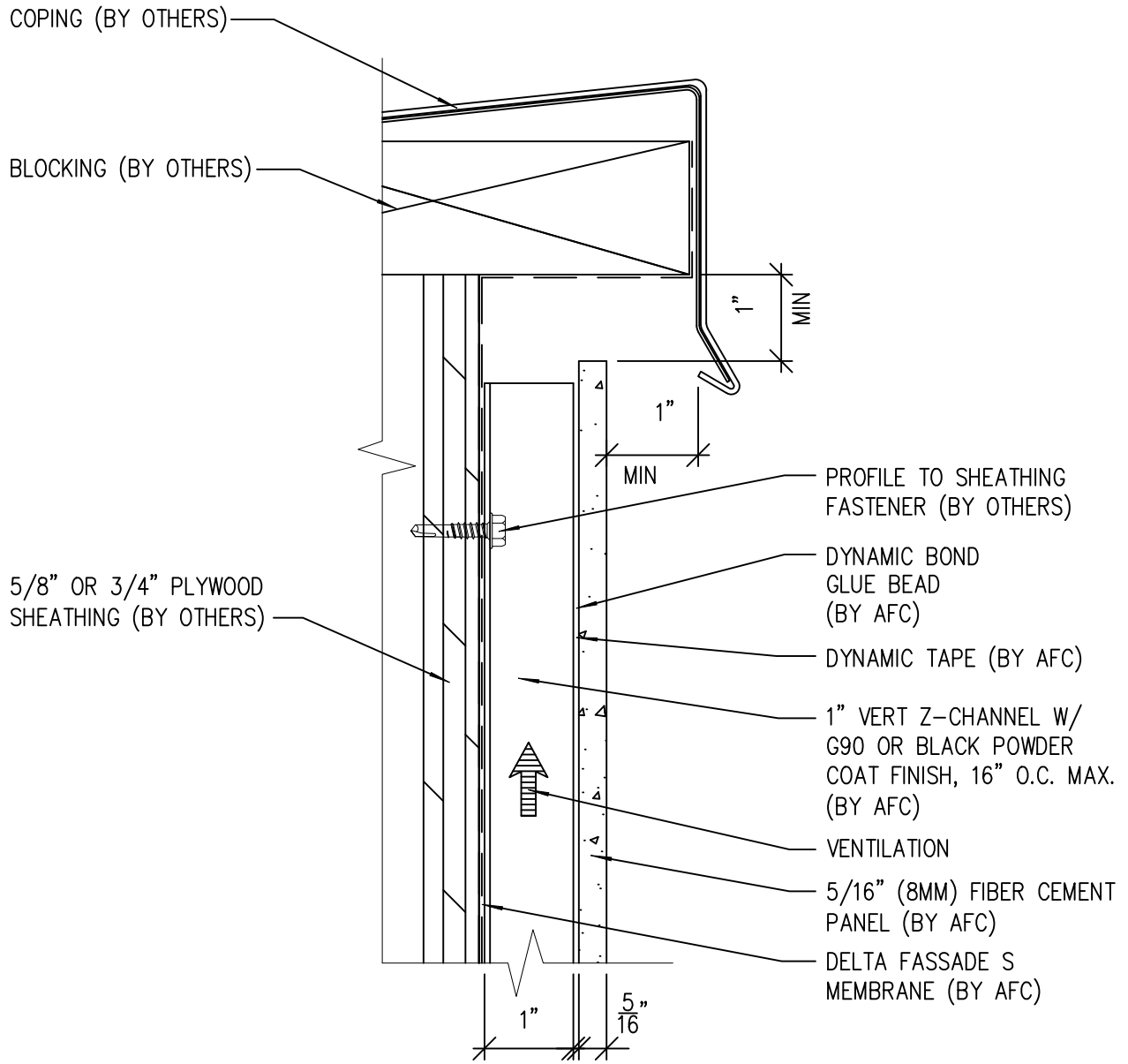
Fiber Cement Ventilated Rainscreen System



Typical Details

- Page 3: Top Panel @ Coping
- Page 4: Top Panel @ Soffit
- Page 5: Top of Panel @ F.C.P Soffit
- Page 6: Horizontal Joint @ Continuous Substrate
- Page 7: Horizontal Joint @ Break In Substrate
- Page 8: Not Permitted @ Break in Substrate
- Page 9: Bottom of Panel @ Wall Base
- Page 10: Bottom of Panel @ Open Termination
- Page 11: Bottom of Panel @ Low Roof Flashing
- Page 12: Bottom of Panel @ Soffit
- Page 13: Bottom of Panel @ Soffit (Alternate)
- Page 14: Bottom of Panel @ F.C.P Soffit
- Page 15: Bottom of Panel @ F.C.P Soffit (Alternate)
- Page 16: Soffit Termination @ Adjacent Material
- Page 17: Bottom of Panel @ Window Head
- Page 18: Bottom of Panel @ Window Head (Alternate)
- Page 19: Top of Panel @ Window Sill
- Page 20: Panel Edge @ Window Jamb
- Page 21: Panel Edge @ Window Jamb (Alternate)
- Page 22: Vertical Panel Joint Option 1
- Page 23: Vertical Panel Joint Option 2
- Page 24: Panel Edge @ Butt Joint
- Page 25: Panels @ Outside Corner
- Page 26: Panels @ Inside Corner
- Page 27: Dynamic Bond Typical Detail

One-Layer Steel Attachment System With Dynamic Bond Adhesive Fastening



SCALE: 6"=1'-0"

NOTES:

1. PANEL VERTICAL AND HORIZONTAL JOINT SPACING SHOULD BE 3/8" TYPICAL.

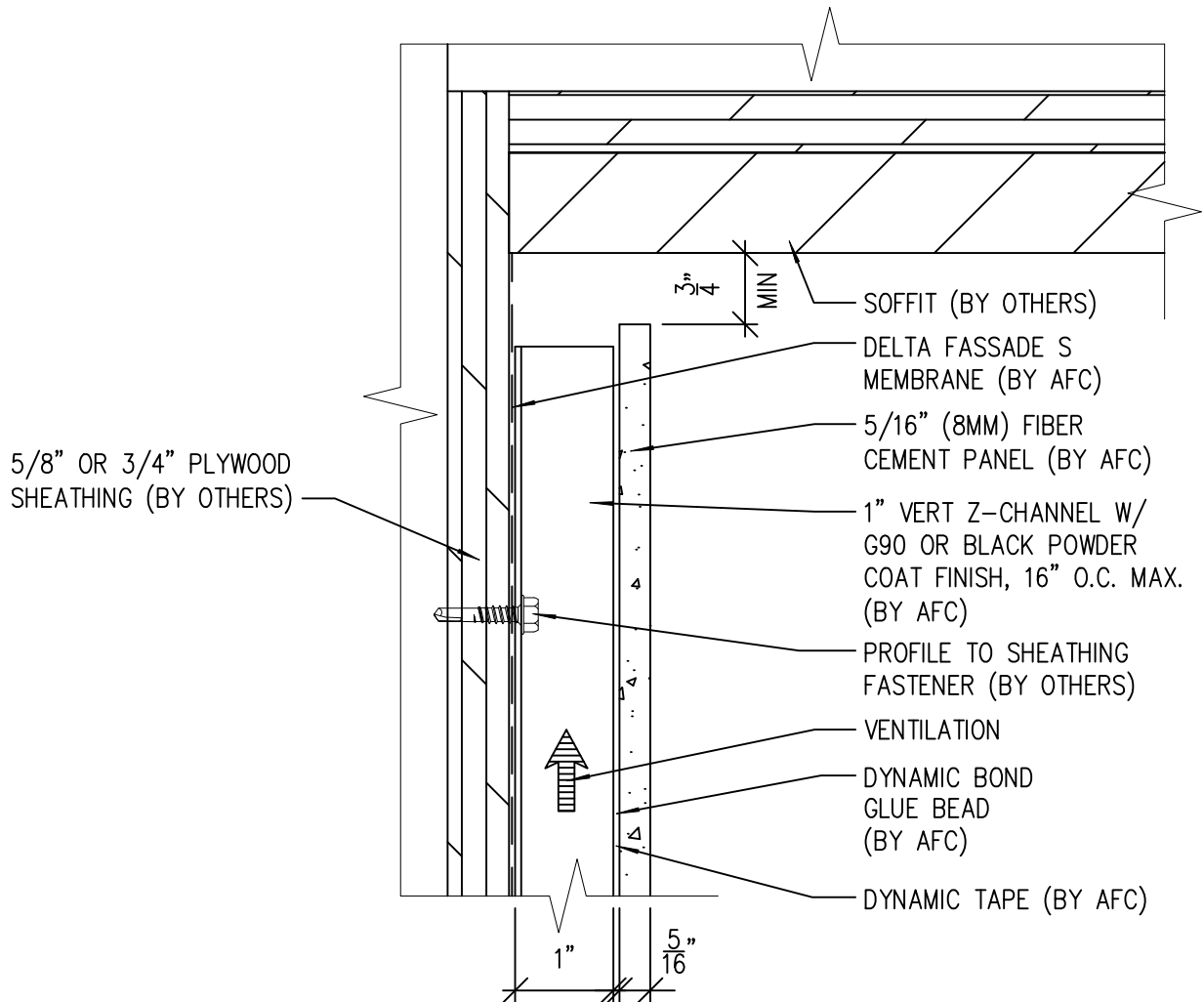


(303) 972-5107
6901 S Pierce St #180
Littleton, CO 80128
www.americanfibercement.com

Ref.:
Top of Panel @
Coping

Date: 06/07/2023

One-Layer Steel Attachment System With Dynamic Bond Adhesive Fastening



SCALE: 6"=1'-0"

NOTES:

1. PANEL VERTICAL AND HORIZONTAL JOINT SPACING SHOULD BE 3/8" TYPICAL.



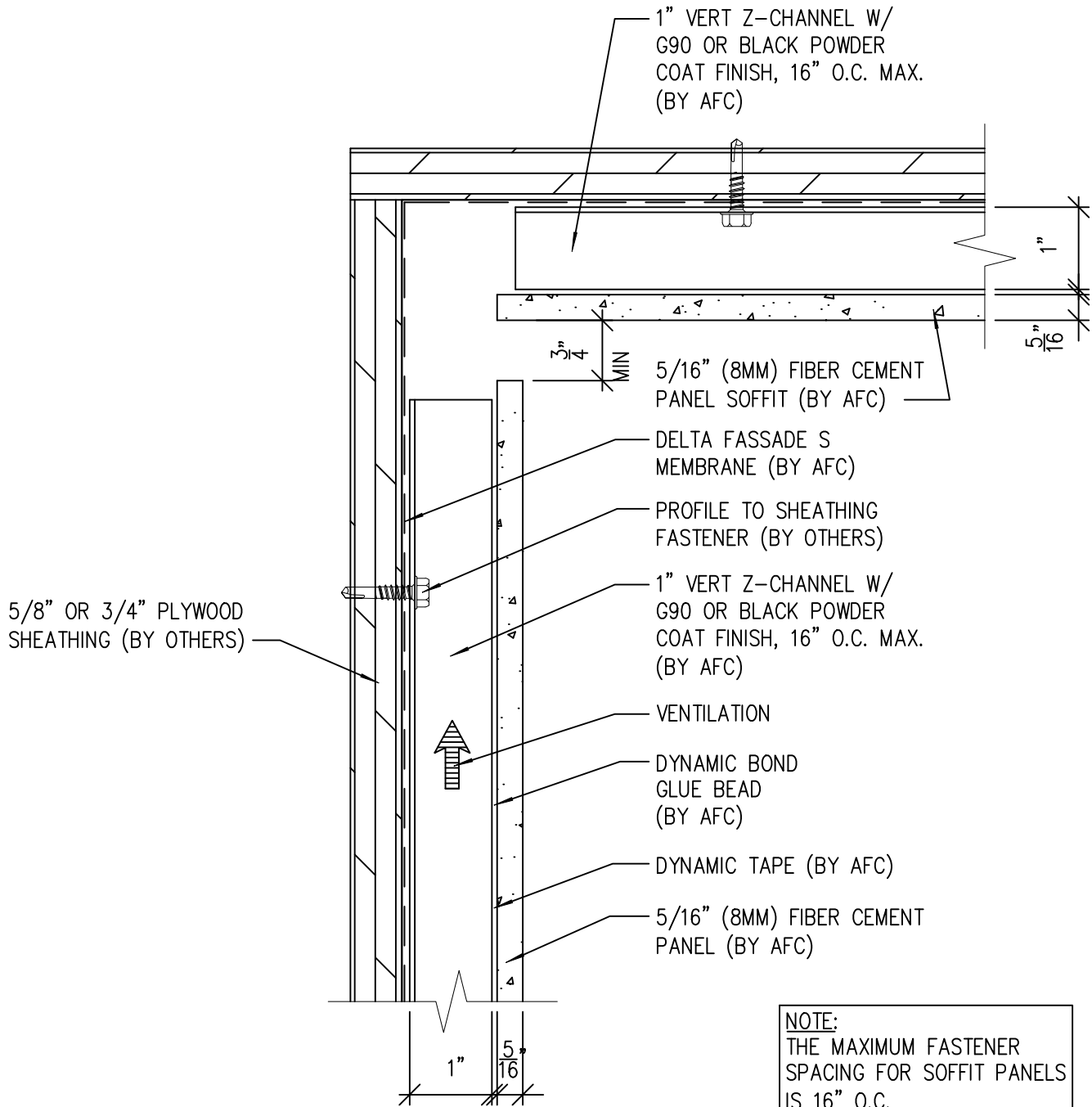
(303) 972-5107
6901 S Pierce St #180
Littleton, CO 80128

www.americanfibercement.com

Ref.:
Top of Panel @
Soffit

Date: 06/07/2023

One-Layer Steel Attachment System With Dynamic Bond Adhesive Fastening



NOTE:
THE MAXIMUM FASTENER
SPACING FOR SOFFIT PANELS
IS 16" O.C.



SCALE: 6"=1'-0"

NOTES:

1. PANEL VERTICAL AND HORIZONTAL JOINT SPACING SHOULD BE 3/8" TYPICAL.



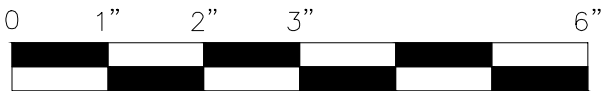
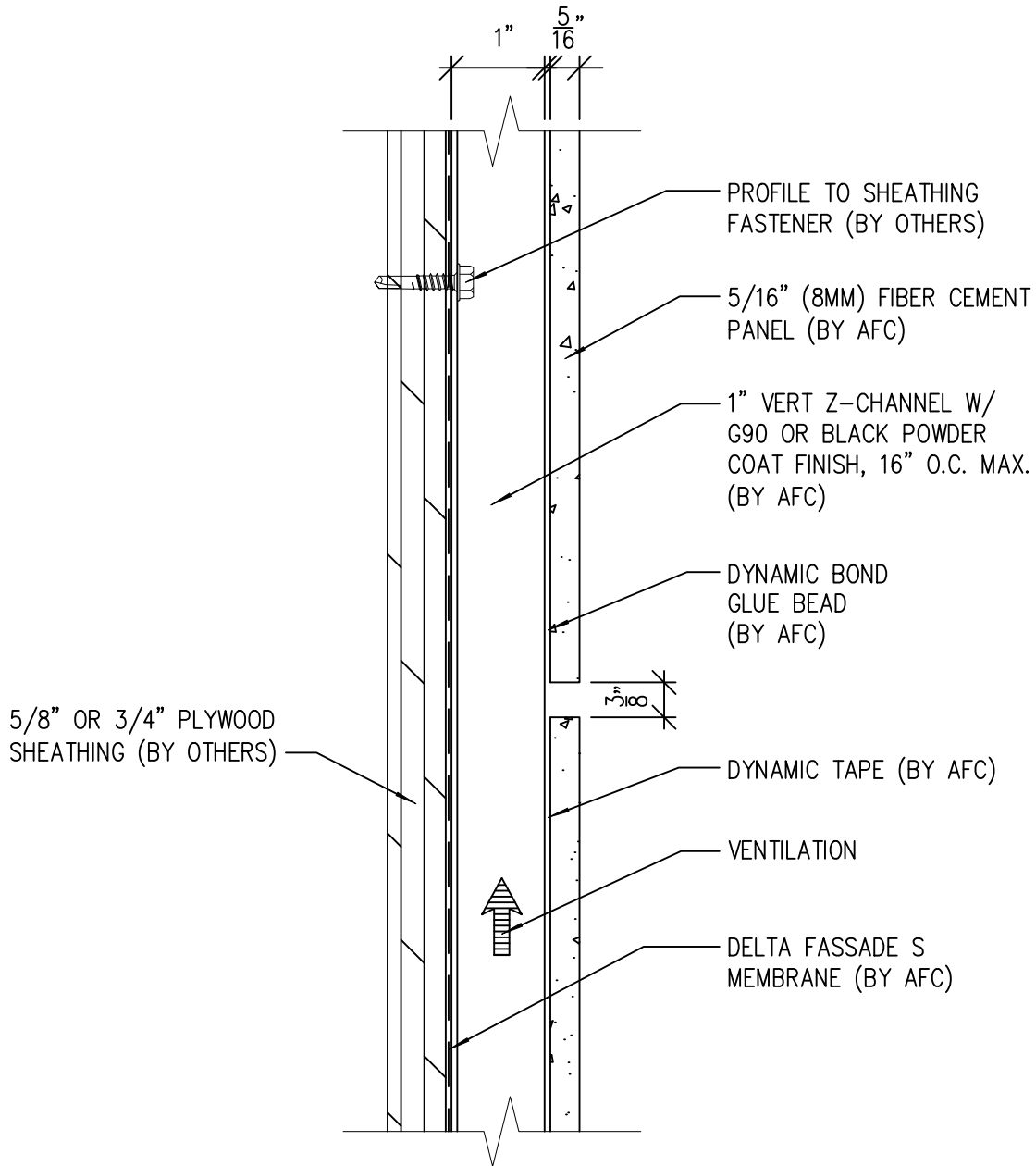
(303) 972-5107
6901 S Pierce St #180
Littleton, CO 80128

www.americanfibercement.com

Ref.:
Top of Panel @
F.C.P. Soffit

Date: 06/07/2023

One-Layer Steel Attachment System With Dynamic Bond Adhesive Fastening



SCALE: 6"=1'-0"

NOTES:

1. PANEL VERTICAL AND HORIZONTAL JOINT SPACING SHOULD BE 3/8" TYPICAL.



(303) 972-5107
6901 S Pierce St #180
Littleton, CO 80128

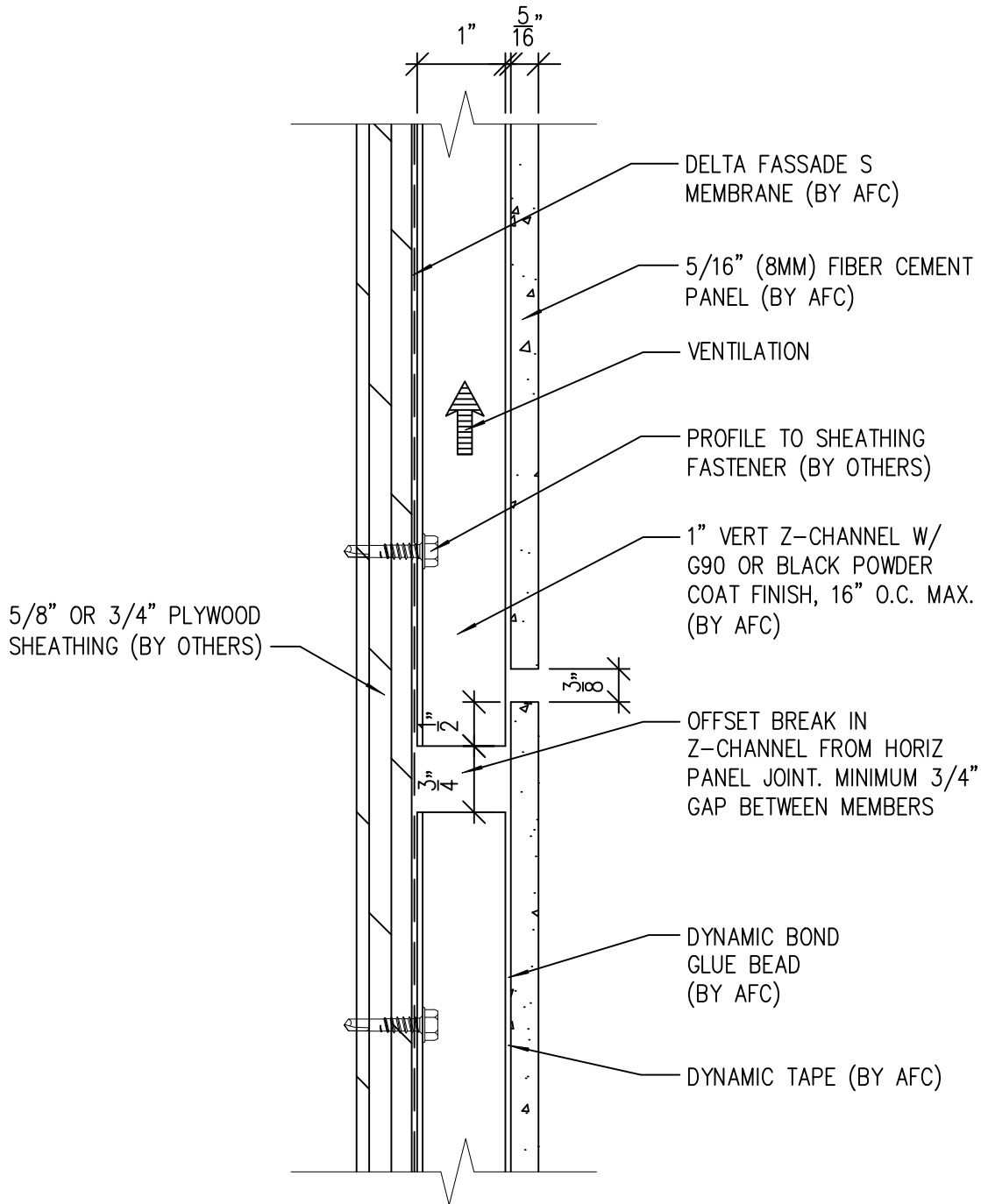
www.americanfibercement.com

Ref.:

Horizontal Joint @
Continuous Substrate

Date: 06/07/2023

One-Layer Steel Attachment System With Dynamic Bond Adhesive Fastening



SCALE: 6"=1'-0"

NOTES:

1. PANEL VERTICAL AND HORIZONTAL JOINT SPACING SHOULD BE 3/8" TYPICAL.



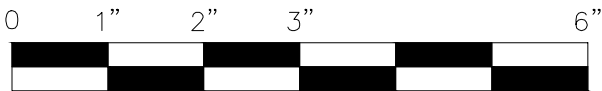
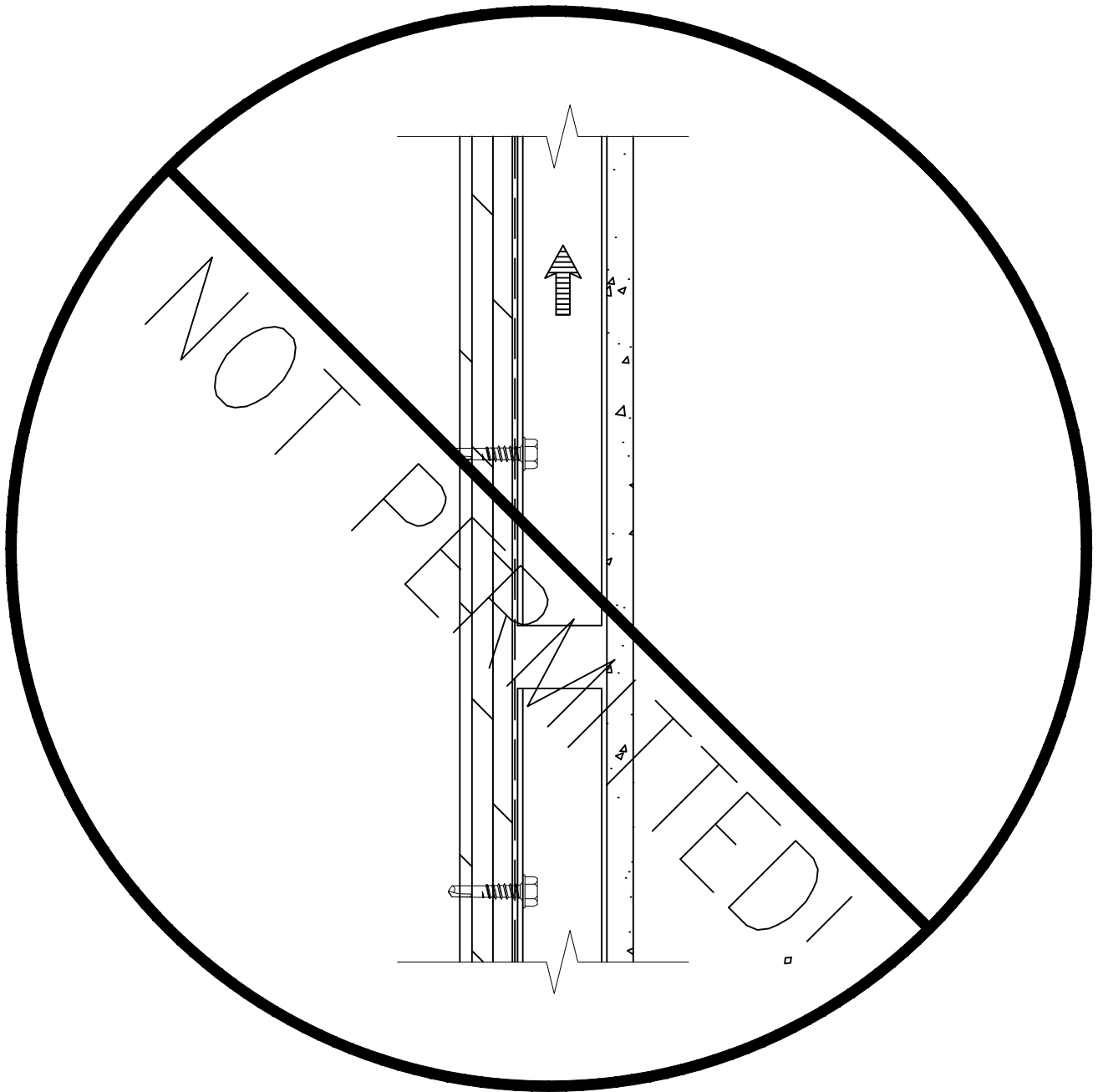
(303) 972-5107
6901 S Pierce St #180
Littleton, CO 80128

www.americanfibercement.com

Ref.:
Horizontal Joint @
Break in Substrate

Date: 06/07/2023

One-Layer Steel Attachment System With Dynamic Bond Adhesive Fastening



SCALE: 6"=1'-0"

NOTES:

1. PANEL VERTICAL AND HORIZONTAL JOINT SPACING SHOULD BE 3/8" TYPICAL.



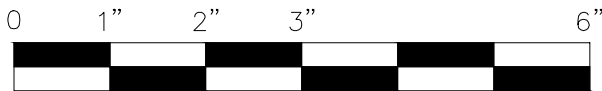
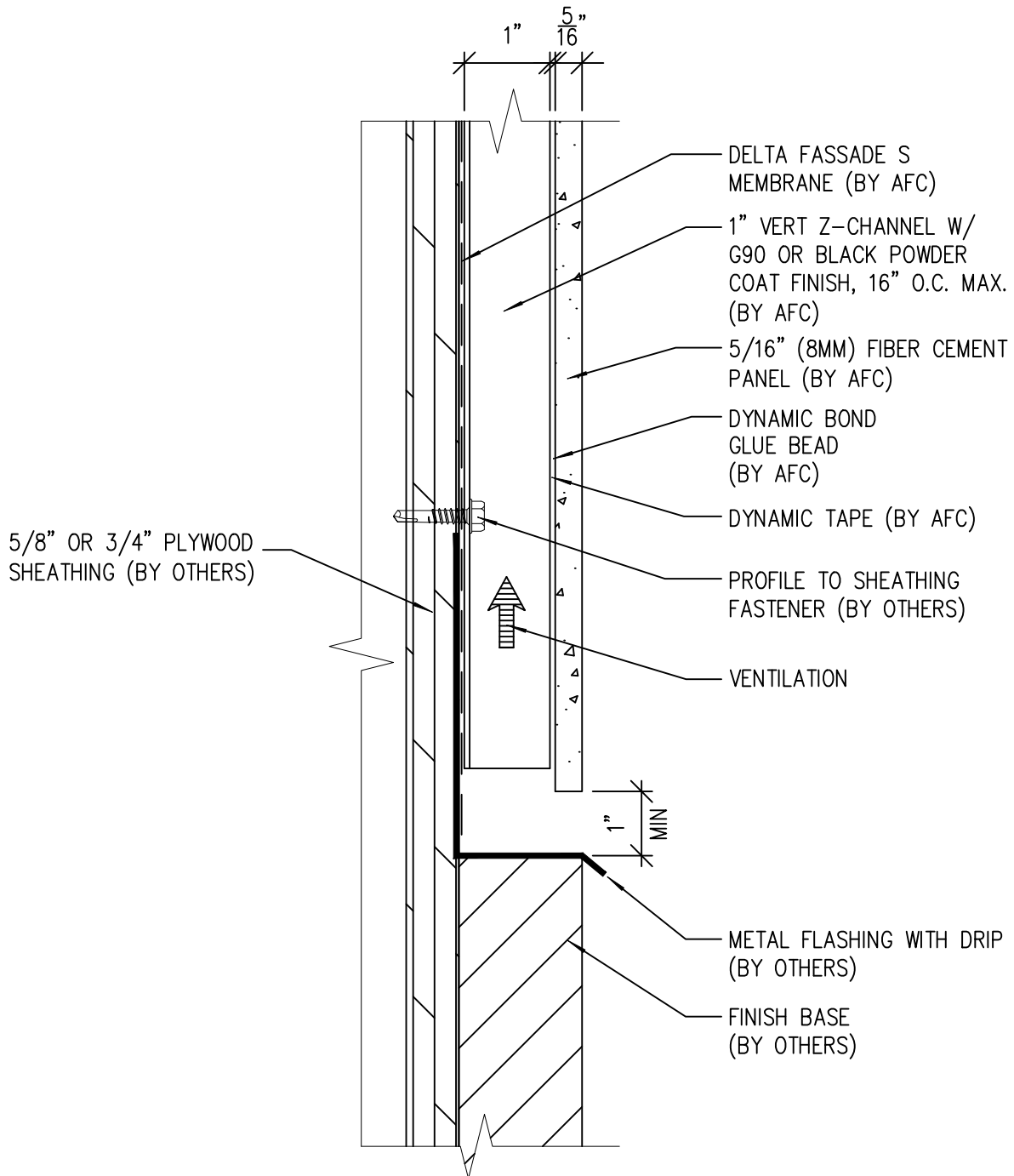
(303) 972-5107
6901 S Pierce St #180
Littleton, CO 80128

www.americanfibercement.com

Ref.:
Not Permitted @
Break in Substrate

Date: 06/07/2023

One-Layer Steel Attachment System With Dynamic Bond Adhesive Fastening



SCALE: 6"=1'-0"

NOTES:

1. PANEL VERTICAL AND HORIZONTAL JOINT SPACING SHOULD BE 3/8" TYPICAL.

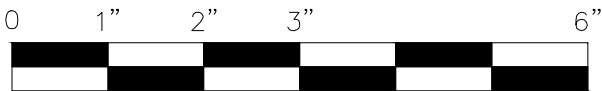
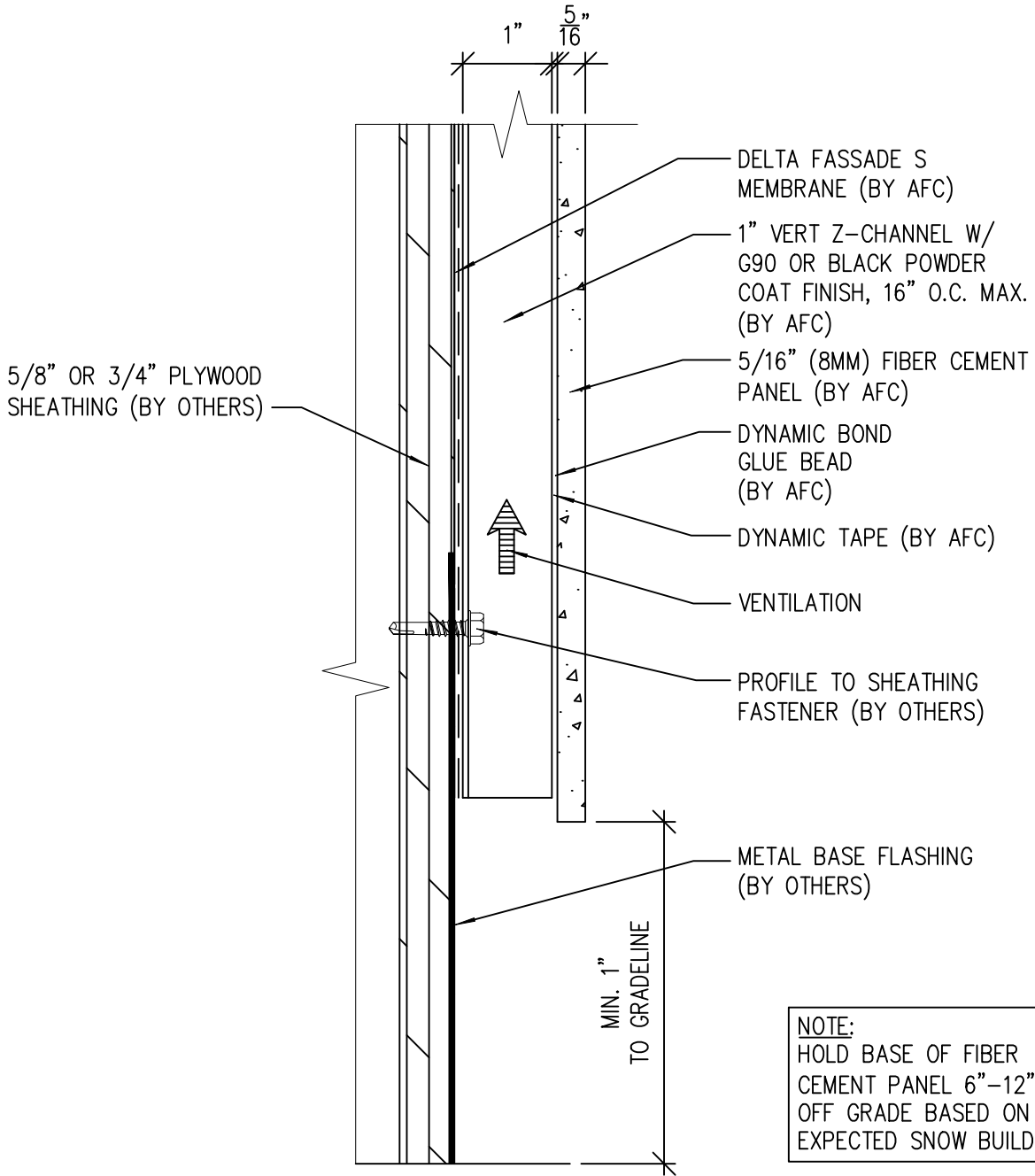


(303) 972-5107
 6901 S Pierce St #180
 Littleton, CO 80128
www.americanfibercement.com

Ref.:
 Bottom of Panel @
 Wall Base

Date: 06/07/2023

One-Layer Steel Attachment System With Dynamic Bond Adhesive Fastening



SCALE: 6"=1'-0"

NOTES:

1. PANEL VERTICAL AND HORIZONTAL JOINT SPACING SHOULD BE 3/8" TYPICAL.

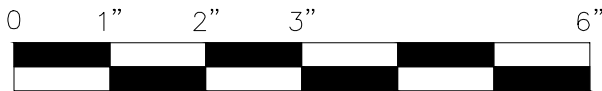
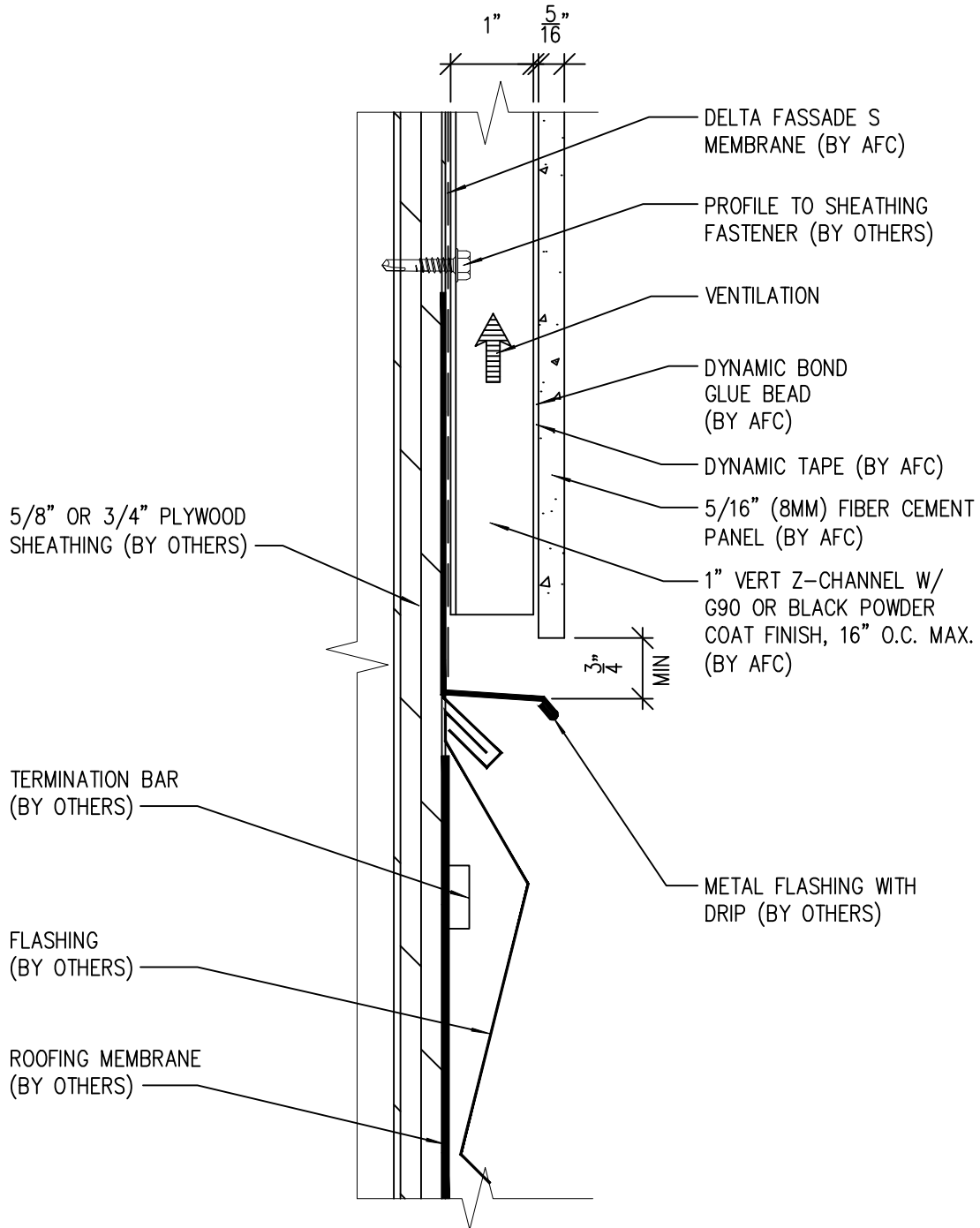


(303) 972-5107
6901 S Pierce St #180
Littleton, CO 80128
www.americanfibercement.com

Ref.:
Bottom of Panel @
Open Termination

Date: 06/07/2023

One-Layer Steel Attachment System With Dynamic Bond Adhesive Fastening



SCALE: 6"=1'-0"

NOTES:

1. PANEL VERTICAL AND HORIZONTAL JOINT SPACING SHOULD BE 3/8" TYPICAL.



(303) 972-5107
6901 S Pierce St #180
Littleton, CO 80128

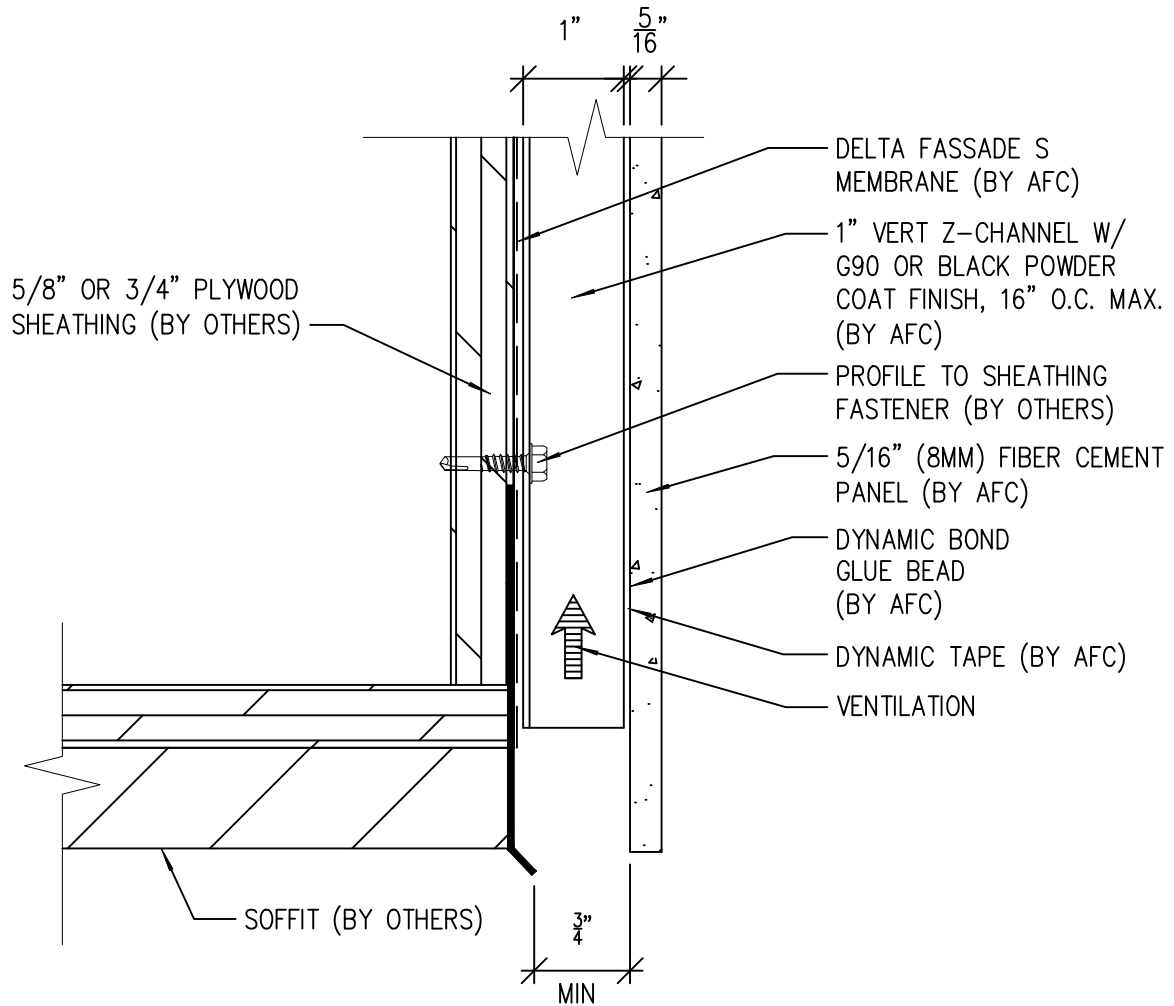
www.americanfiberceent.com

Ref.:

Bottom of Panel @
Low Roof Flashing

Date: 06/07/2023

One-Layer Steel Attachment System With Dynamic Bond Adhesive Fastening



SCALE: 6"=1'-0"

NOTES:

1. PANEL VERTICAL AND HORIZONTAL JOINT SPACING SHOULD BE 3/8" TYPICAL.

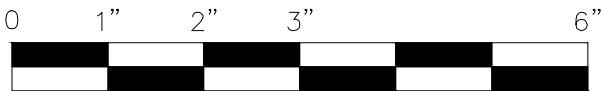
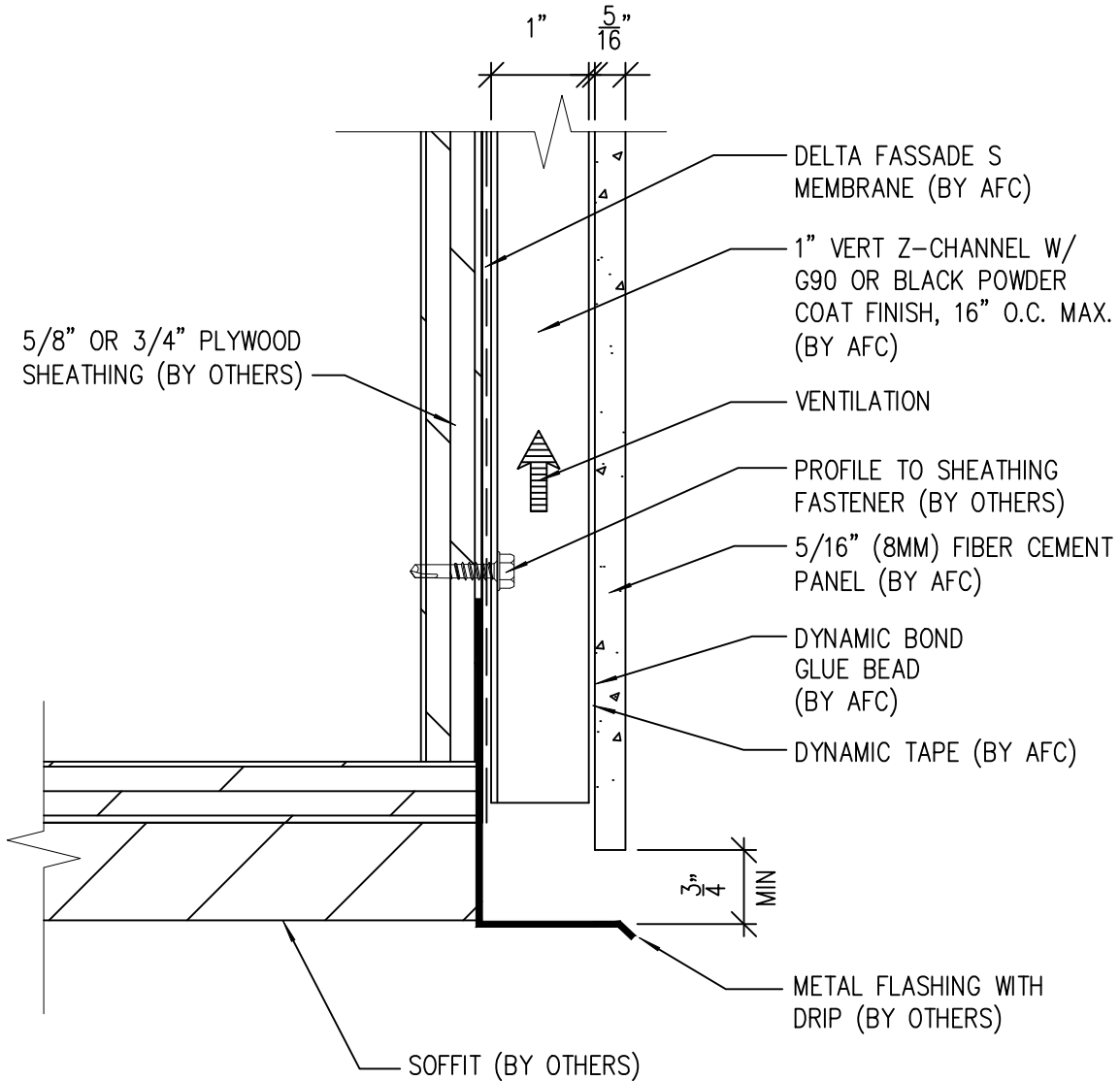


(303) 972-5107
6901 S Pierce St #180
Littleton, CO 80128
www.americanfibercement.com

Ref.:
Top of Panel @
F.C.P. Soffit

Date: 06/07/2023

One-Layer Steel Attachment System With Dynamic Bond Adhesive Fastening



SCALE: 6"=1'-0"

NOTES:

1. PANEL VERTICAL AND HORIZONTAL JOINT SPACING SHOULD BE 3/8" TYPICAL.

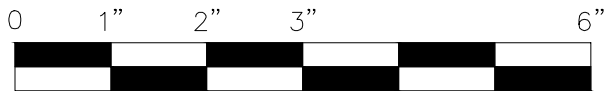
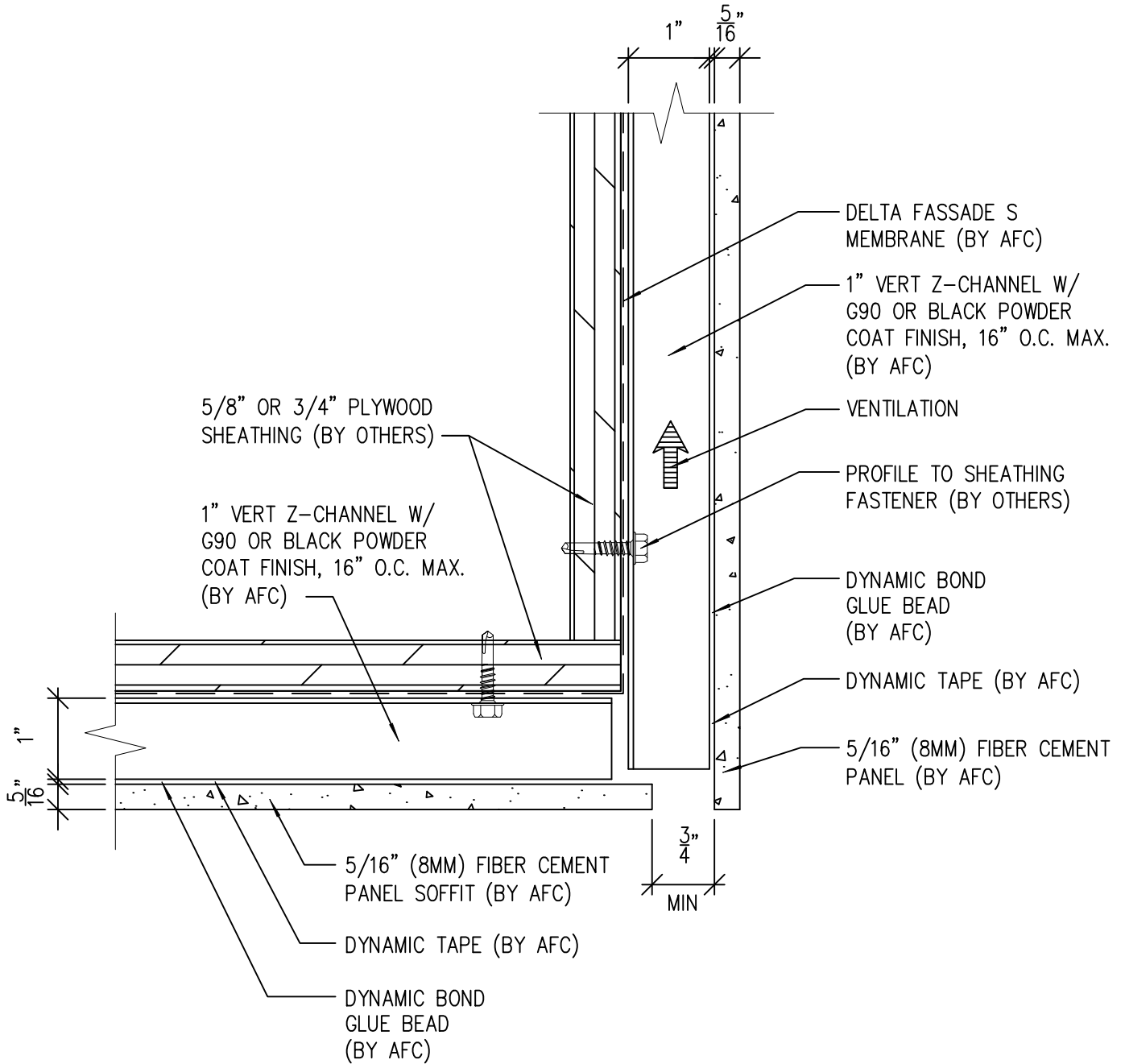


(303) 972-5107
6901 S Pierce St #180
Littleton, CO 80128
www.americanfiberceent.com

Ref.:
Bottom of Panel @
Soffit (Alternate)

Date: 06/07/2023

One-Layer Steel Attachment System With Dynamic Bond Adhesive Fastening



SCALE: 6"=1'-0"

NOTES:

- PANEL VERTICAL AND HORIZONTAL JOINT SPACING SHOULD BE 3/8" TYPICAL.



(303) 972-5107
6901 S Pierce St #180
Littleton, CO 80128

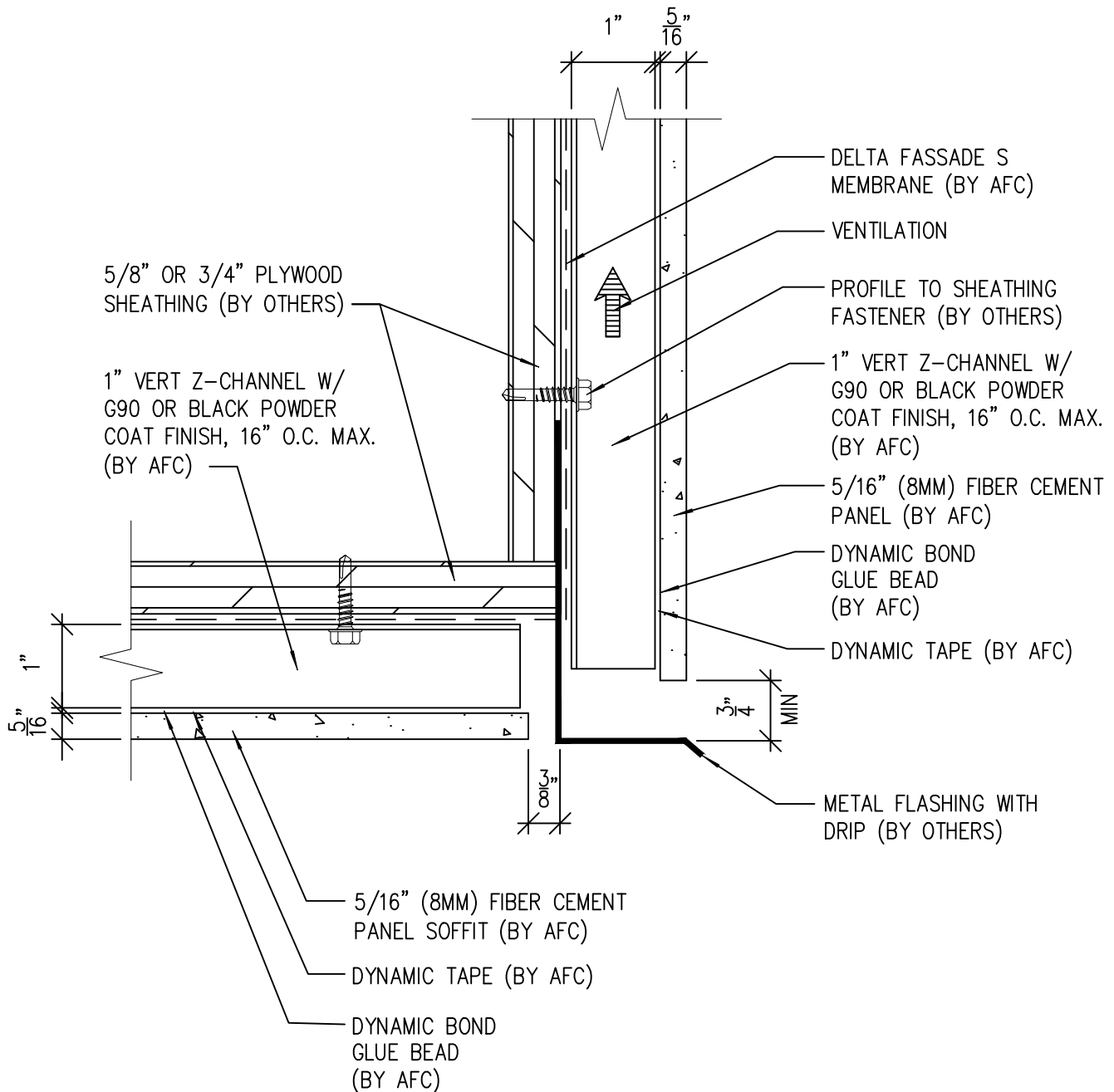
www.americanfibercement.com

Ref.:

Bottom of Panel @
F.C.P. Soffit

Date: 06/07/2023

One-Layer Steel Attachment System With Dynamic Bond Adhesive Fastening



SCALE: 6"=1'-0"

NOTES:

- PANEL VERTICAL AND HORIZONTAL JOINT SPACING SHOULD BE 3/8" TYPICAL.



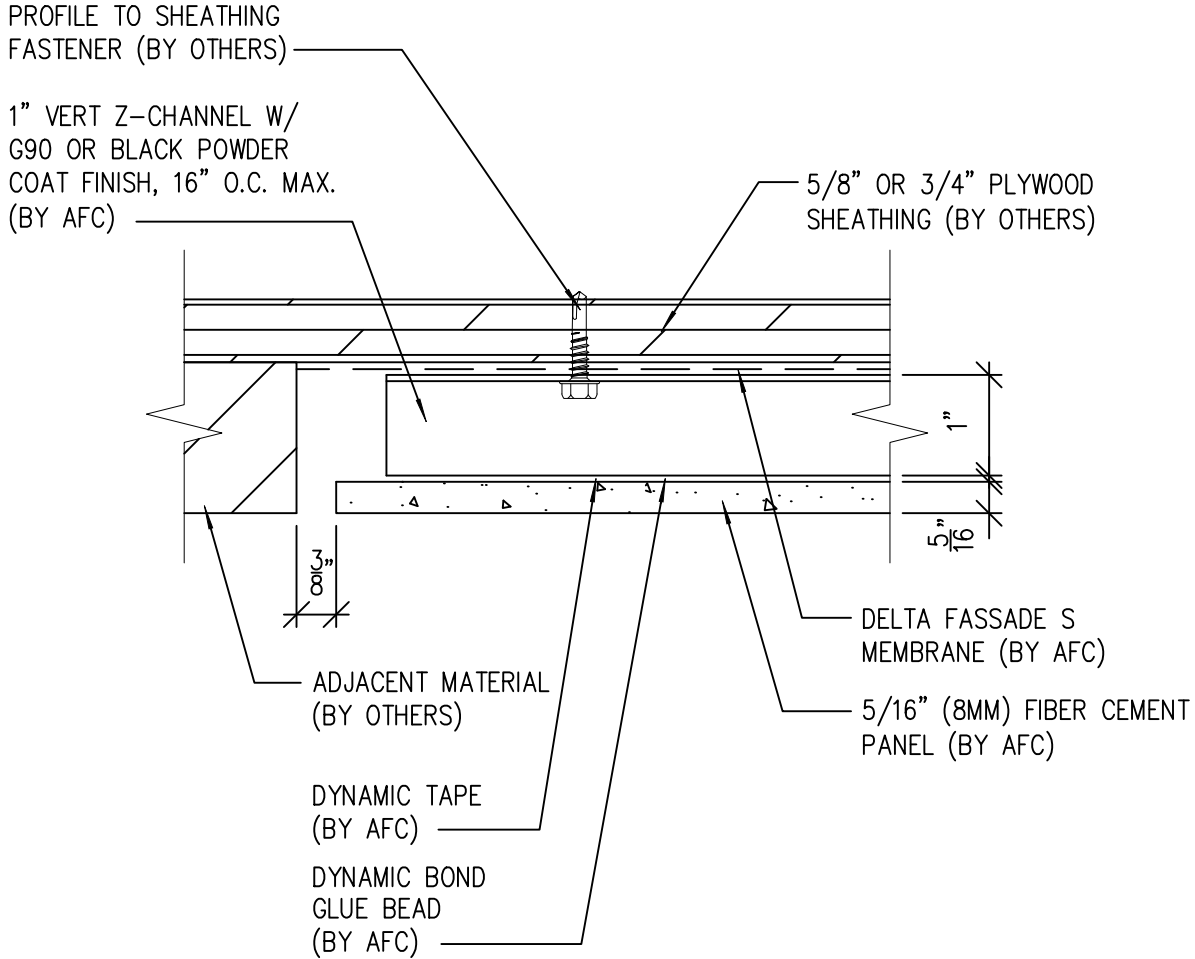
(303) 972-5107
6901 S Pierce St #180
Littleton, CO 80128

www.americanfibercement.com

Ref.:
Bottom of Panel @
F.C.P. Soffit (Alternate)

Date: 06/07/2023

One-Layer Steel Attachment System With Dynamic Bond Adhesive Fastening



SCALE: 6"=1'-0"

NOTES:

1. PANEL VERTICAL AND HORIZONTAL JOINT SPACING SHOULD BE 3/8" TYPICAL.



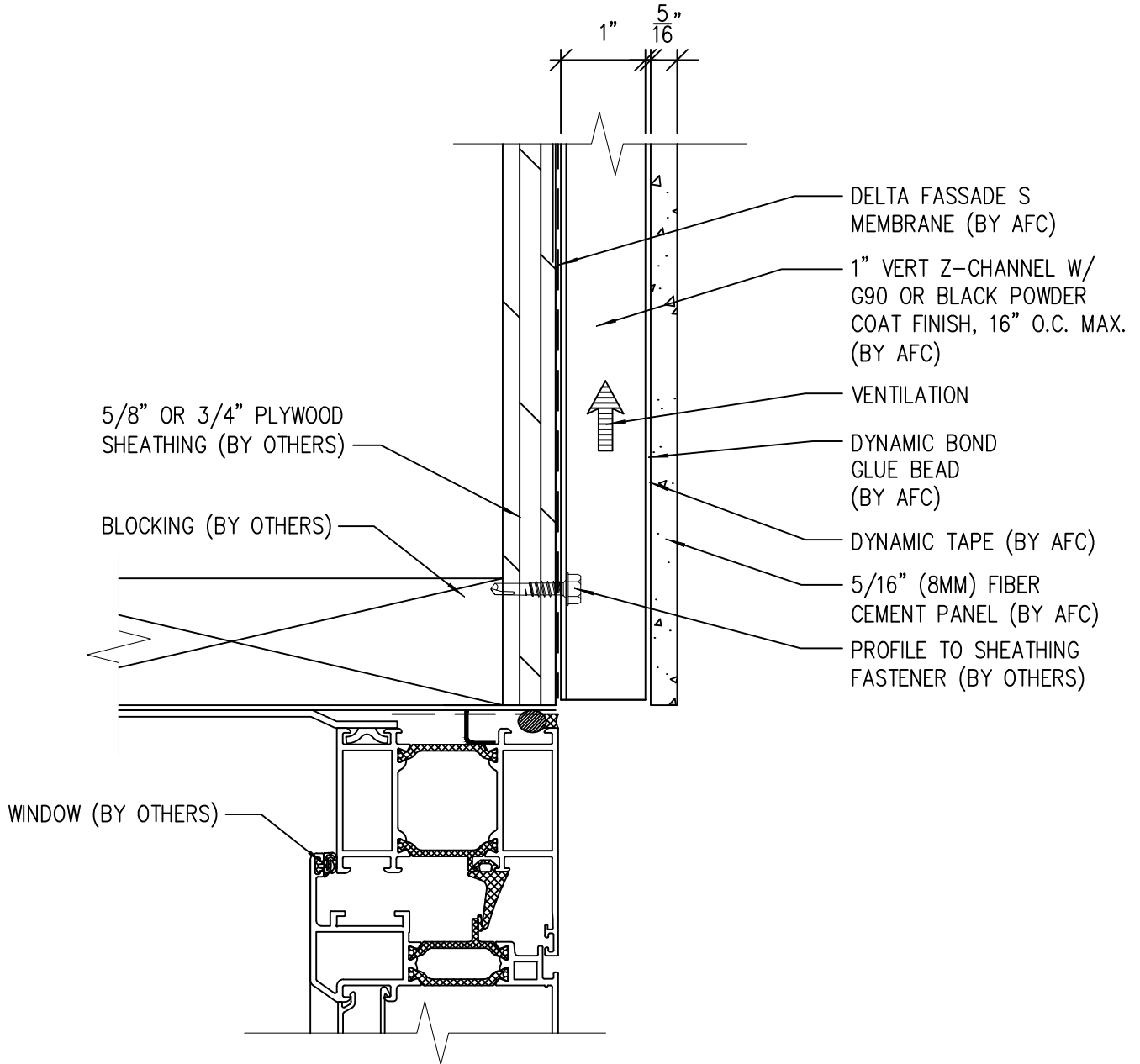
(303) 972-5107
6901 S Pierce St #180
Littleton, CO 80128

www.americanfibercement.com

Ref.:
Soffit Termination @
Adjacent Material

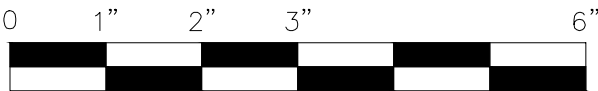
Date: 06/07/2023

One-Layer Steel Attachment System With Dynamic Bond Adhesive Fastening



NOTES:

1. PANEL VERTICAL AND HORIZONTAL JOINT SPACING SHOULD BE 3/8" TYPICAL.



SCALE: 6"=1'-0"



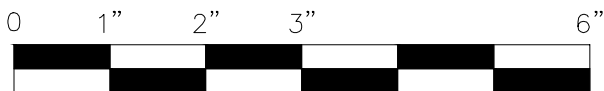
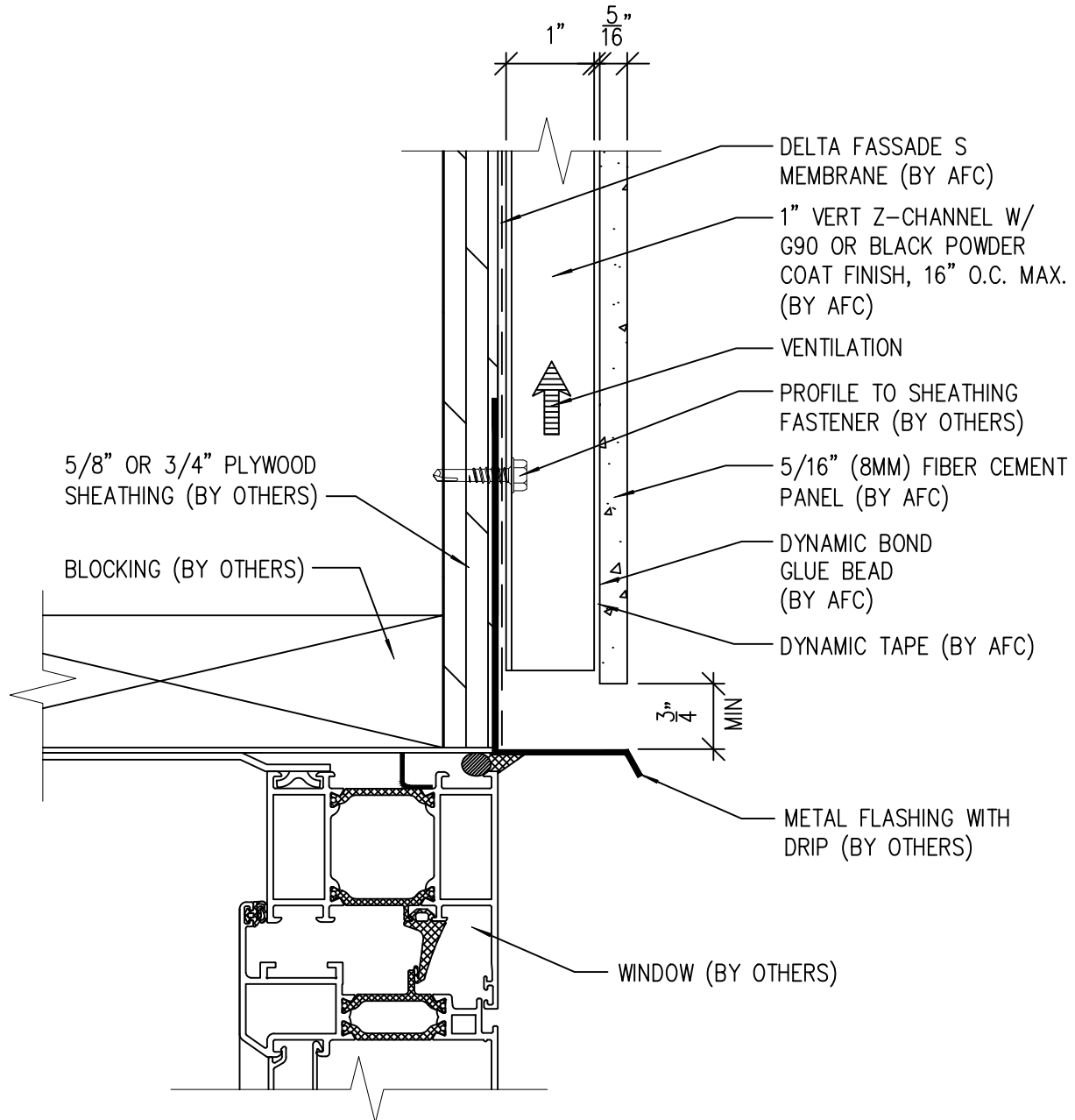
(303) 972-5107
6901 S Pierce St #180
Littleton, CO 80128

www.americanfibercement.com

Ref.:
Bottom of Panel @
Window Head

Date: 06/07/2023

One-Layer Steel Attachment System With Dynamic Bond Adhesive Fastening



SCALE: 6"=1'-0"

NOTES:

- PANEL VERTICAL AND HORIZONTAL JOINT SPACING SHOULD BE 3/8" TYPICAL.



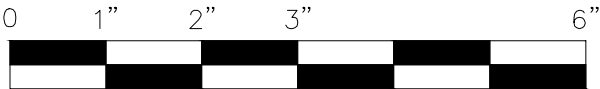
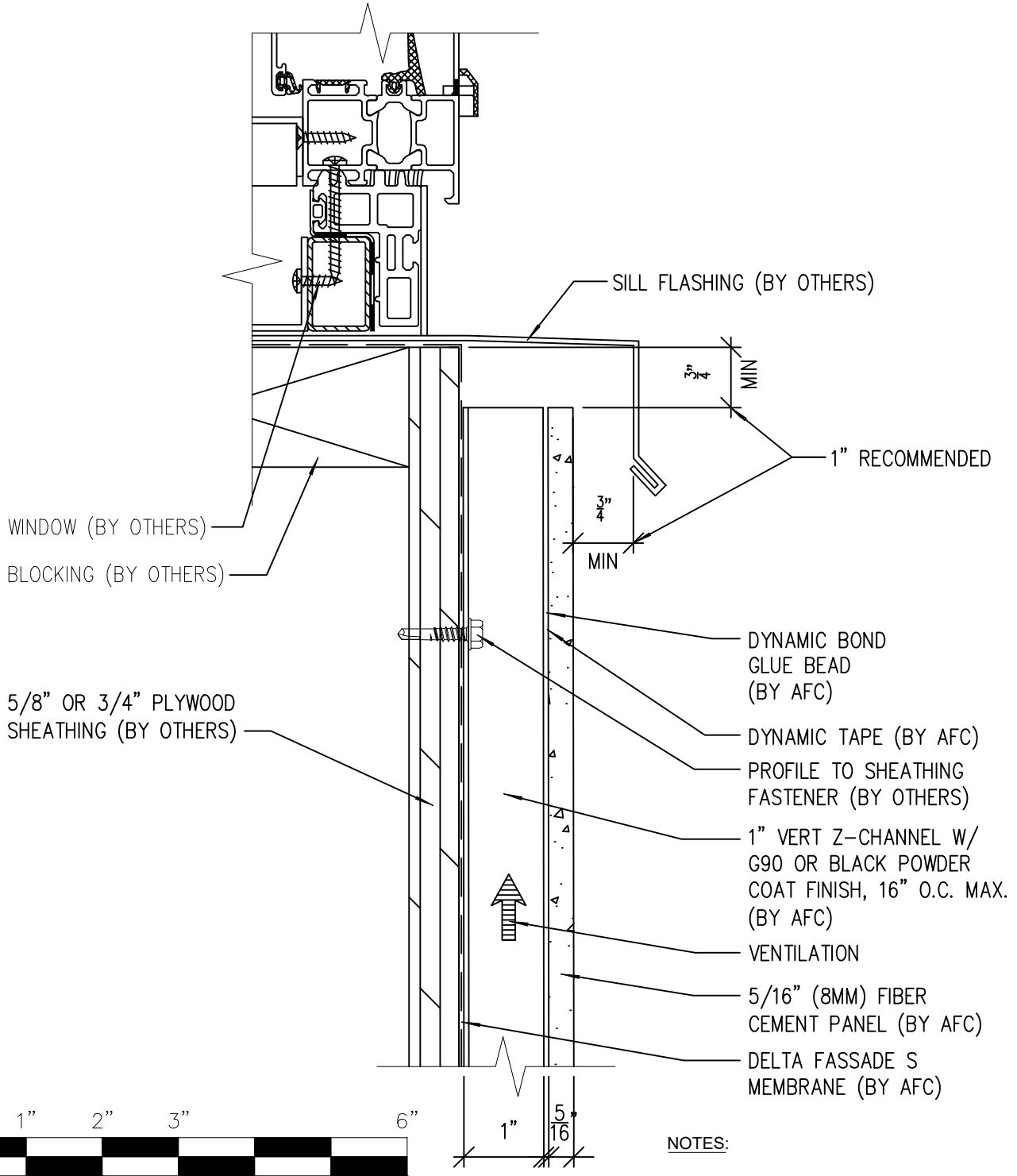
(303) 972-5107
6901 S Pierce St #180
Littleton, CO 80128

www.americanfiber cement.com

Ref.:
Bottom of Panel @
Window Head (Alternate)

Date: 06/07/2023

One-Layer Steel Attachment System With Dynamic Bond Adhesive Fastening



SCALE: 6"=1'-0"

NOTES:

- PANEL VERTICAL AND HORIZONTAL JOINT SPACING SHOULD BE 3/8" TYPICAL.



(303) 972-5107
6901 S Pierce St #180
Littleton, CO 80128

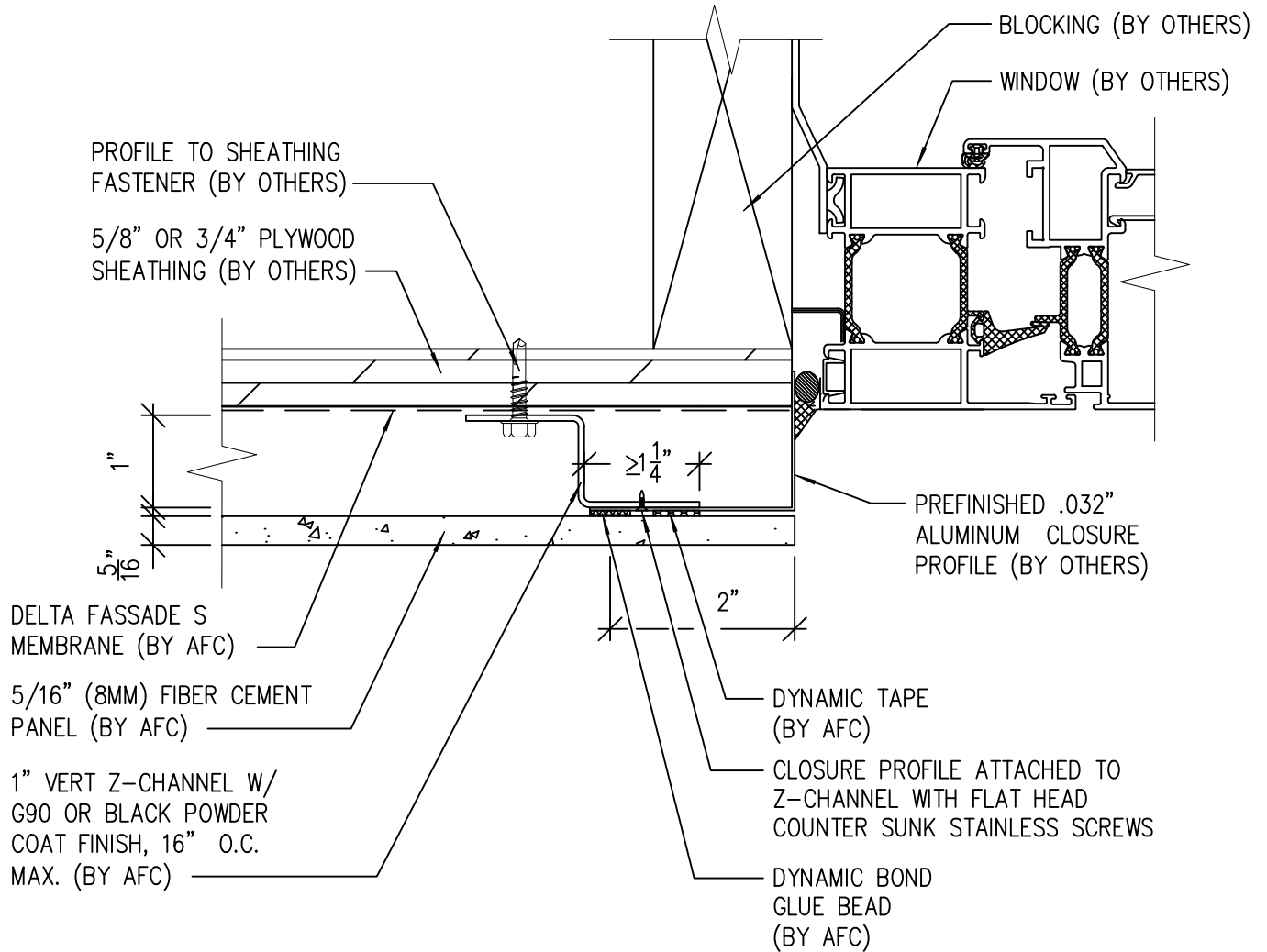
www.americanfibercement.com

Ref.:

Top of Panel @
Window Sill

Date: 06/07/2023

One-Layer Steel Attachment System With Dynamic Bond Adhesive Fastening



SCALE: 6" = 1'-0"

NOTES:

1. PANEL VERTICAL AND HORIZONTAL JOINT SPACING SHOULD BE 3/8" TYPICAL.

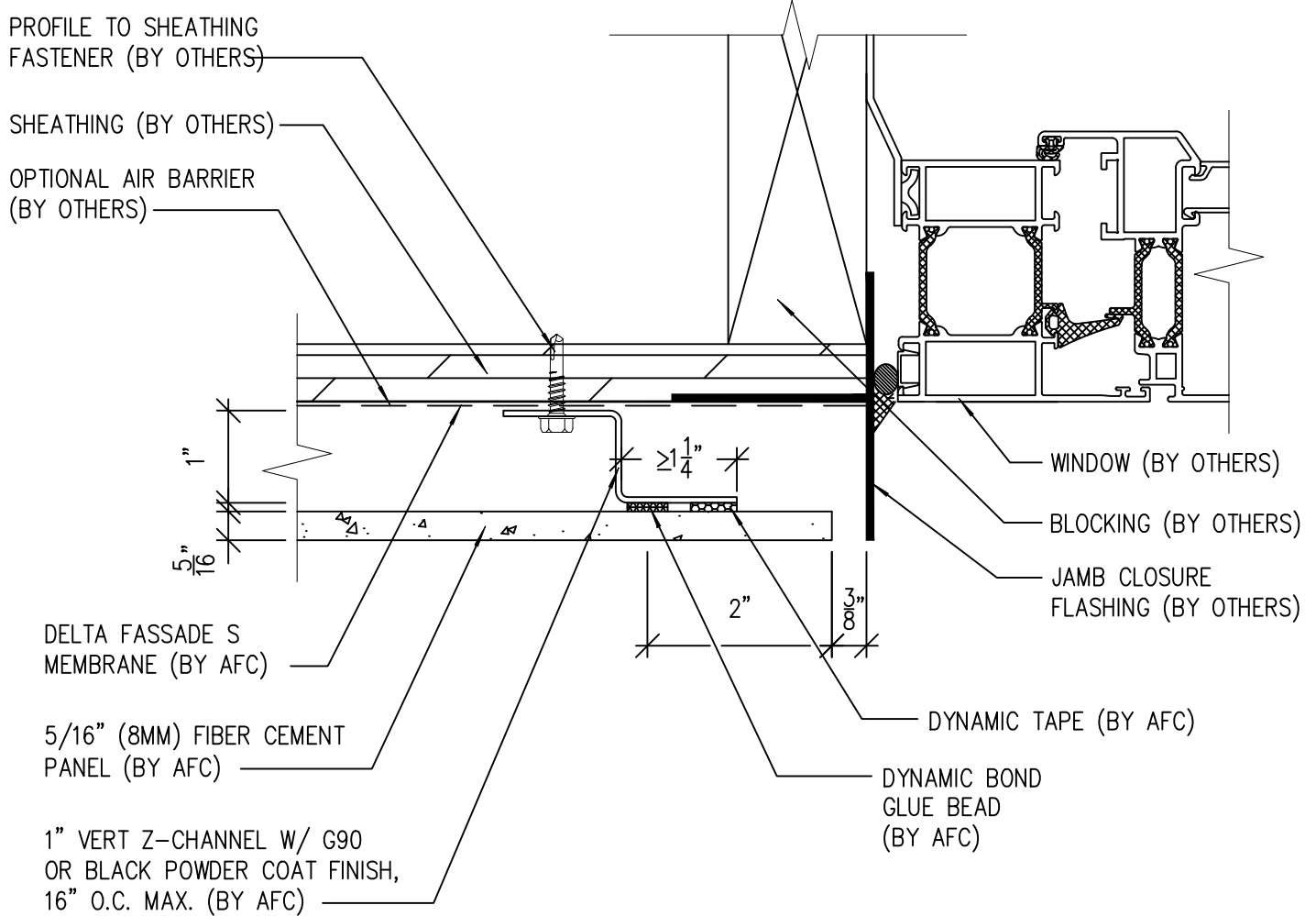


(303) 972-5107
6901 S Pierce St #180
Littleton, CO 80128
www.americanfibercement.com

Ref.:
Panel Edge @
Window Jamb

Date: 06/07/2023

One-Layer Steel Attachment System With Dynamic Bond Adhesive Fastening



SCALE: 6"=1'-0"

NOTES:

1. PANEL VERTICAL AND HORIZONTAL JOINT SPACING SHOULD BE 3/8" TYPICAL.

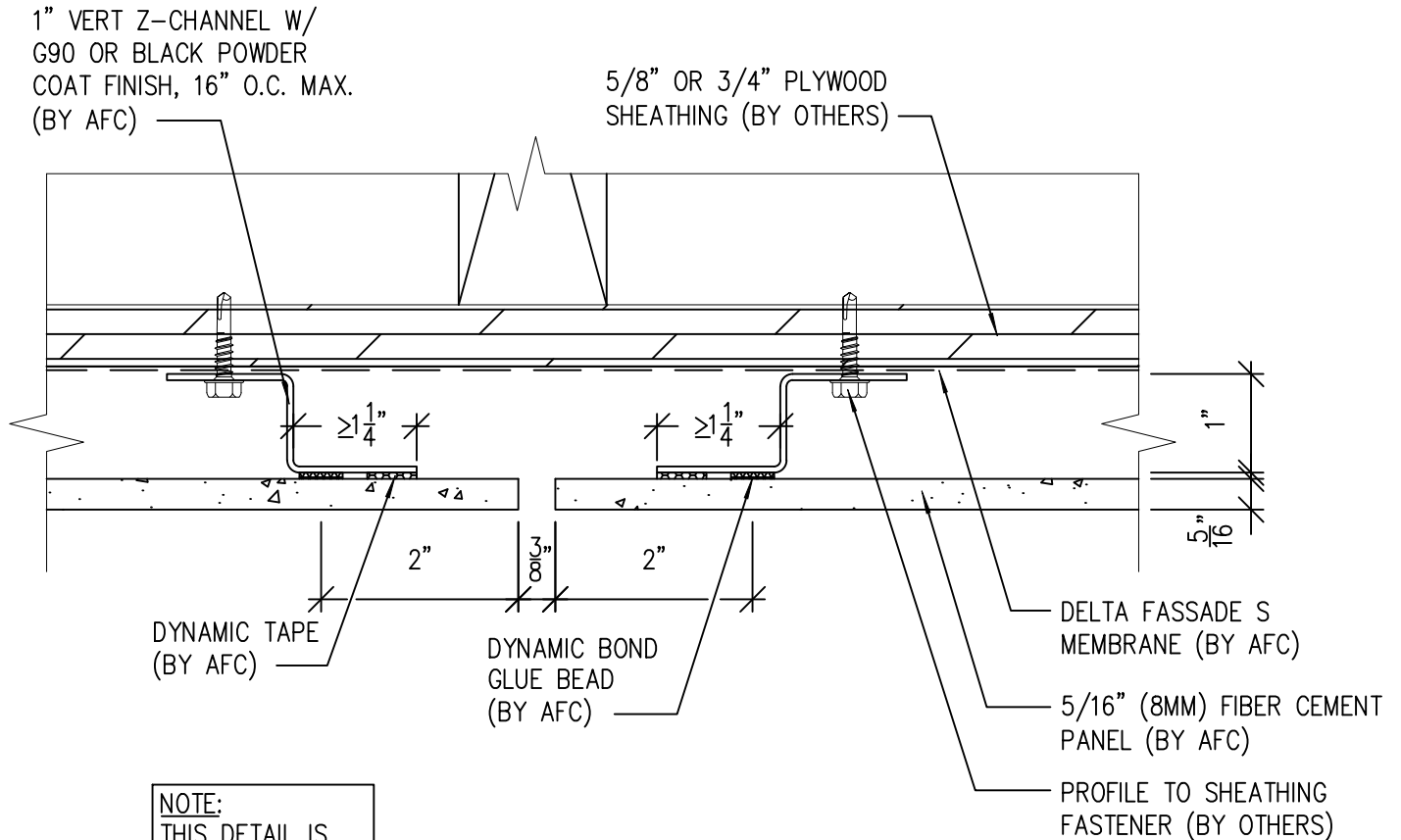


(303) 972-5107
6901 S Pierce St #180
Littleton, CO 80128
www.americanfibercement.com

Ref.:
Panel Edge @
Window Jamb (Alternate)

Date: 06/07/2023

One-Layer Steel Attachment System With Dynamic Bond Adhesive Fastening



NOTE:
THIS DETAIL IS
RECOMMENDED AT
VERTICAL PANEL
JOINTS.



SCALE: 6"=1'-0"

NOTES:

1. PANEL VERTICAL AND HORIZONTAL JOINT SPACING SHOULD BE 3/8" TYPICAL.

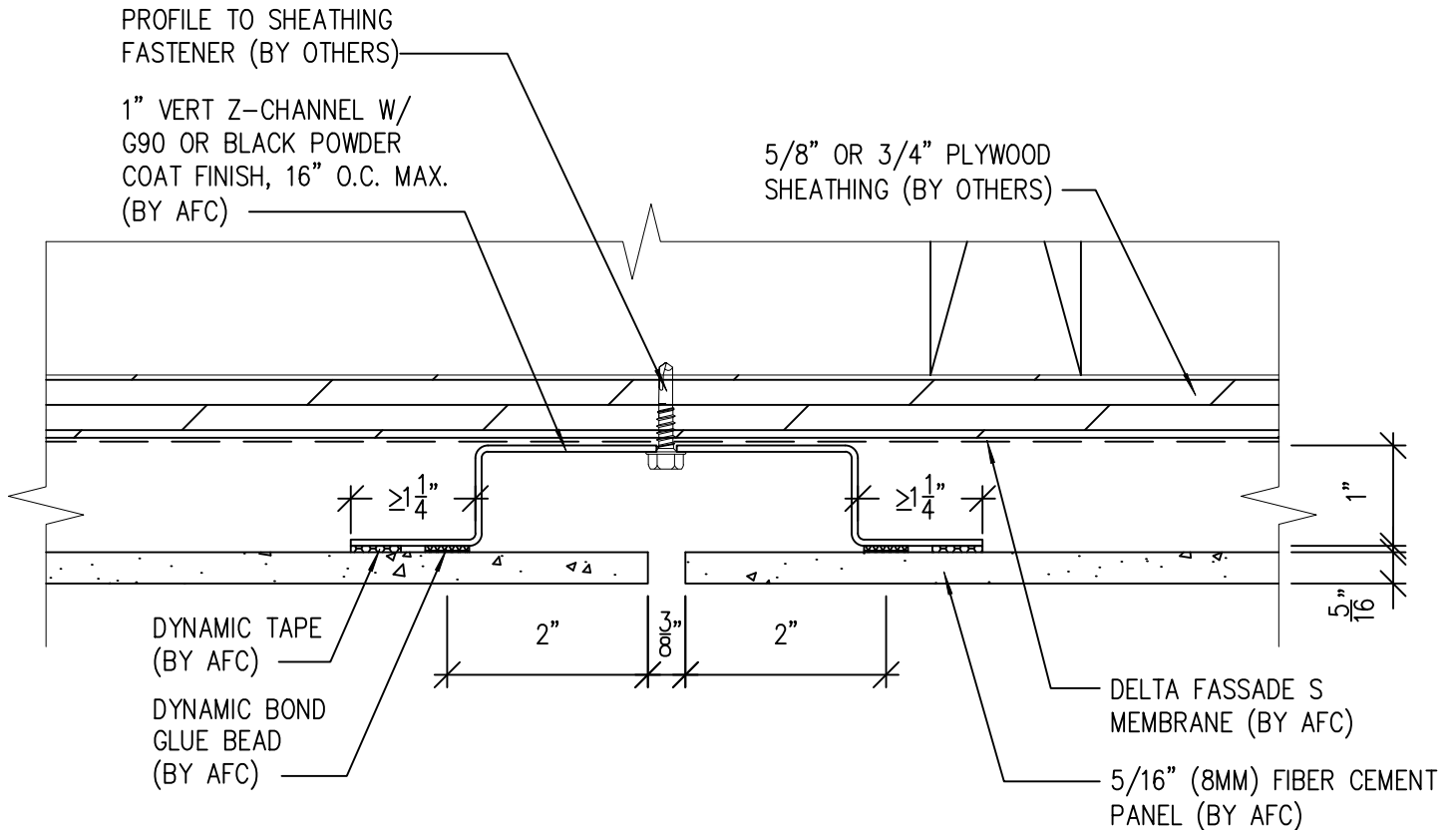


(303) 972-5107
6901 S Pierce St #180
Littleton, CO 80128
www.americanfibercement.com

Ref.:
Vertical Panel Joint
Option 1

Date: 06/07/2023

One-Layer Steel Attachment System With Dynamic Bond Adhesive Fastening



NOTE:
OPTION 1 DETAIL IS RECOMMENDED FOR VERTICAL PANEL JOINTS.



SCALE: 6" = 1'-0"

NOTES:

- PANEL VERTICAL AND HORIZONTAL JOINT SPACING SHOULD BE 3/8" TYPICAL.

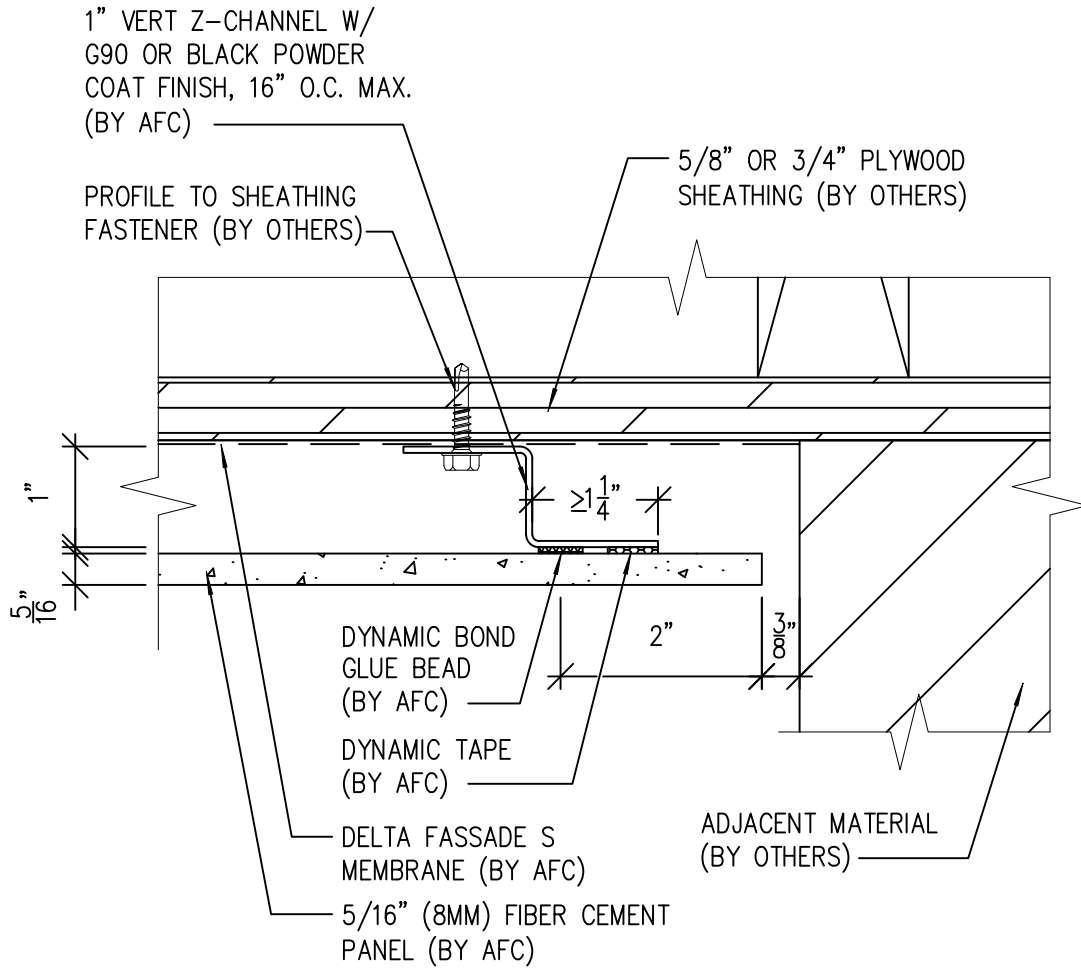


(303) 972-5107
6901 S Pierce St #180
Littleton, CO 80128
www.americanfibercement.com

Ref.:
Vertical Panel Joint
Option 2

Date: 06/07/2023

One-Layer Steel Attachment System With Dynamic Bond Adhesive Fastening



SCALE: 6"=1'-0"

NOTES:

1. PANEL VERTICAL AND HORIZONTAL JOINT SPACING SHOULD BE 3/8" TYPICAL.



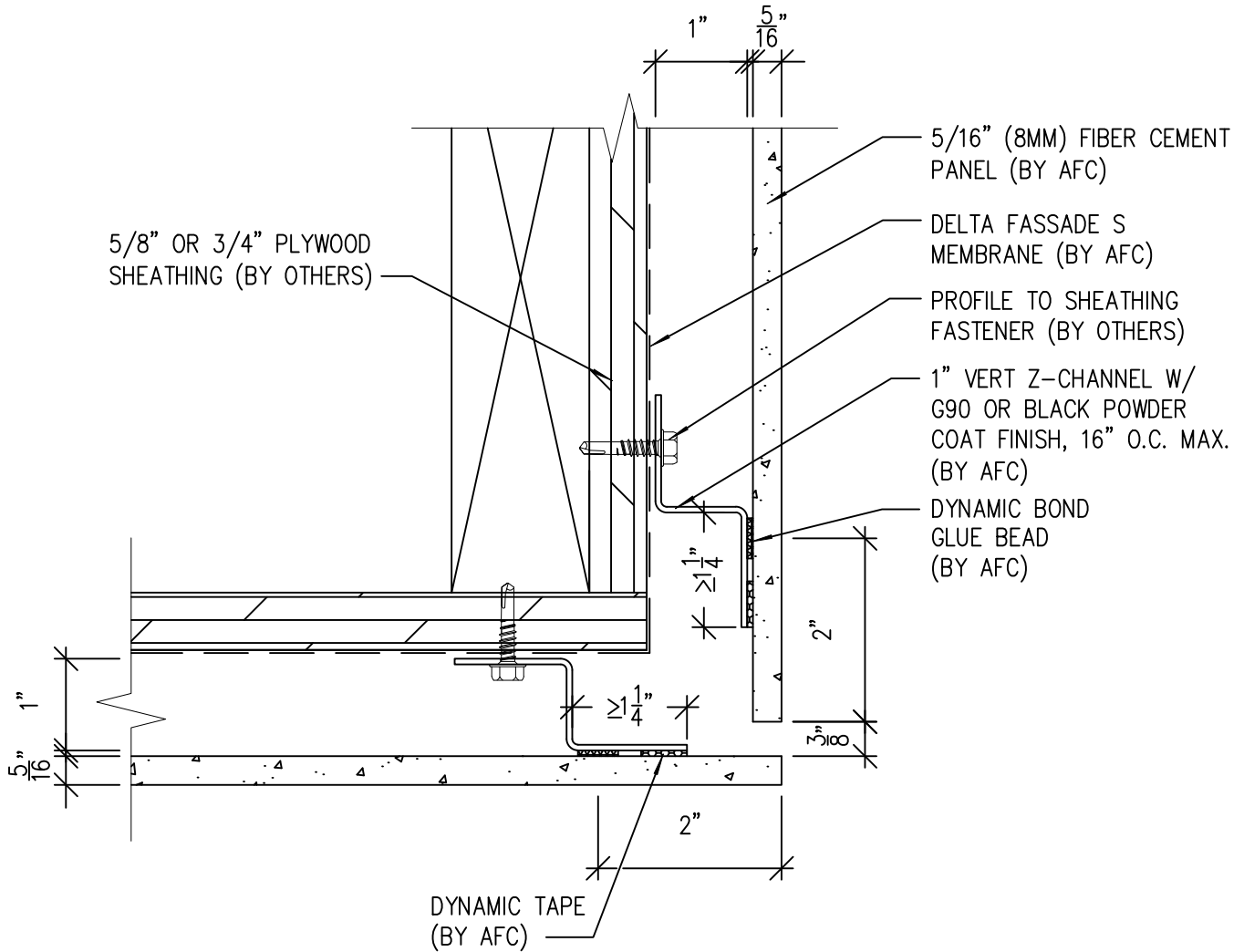
(303) 972-5107
6901 S Pierce St #180
Littleton, CO 80128

www.americanfibercement.com

Ref.:
Panel Edge @
Butt Joint

Date: 06/07/2023

One-Layer Steel Attachment System With Dynamic Bond Adhesive Fastening



SCALE: 6"=1'-0"

NOTES:

1. PANEL VERTICAL AND HORIZONTAL JOINT SPACING SHOULD BE 3/8" TYPICAL.

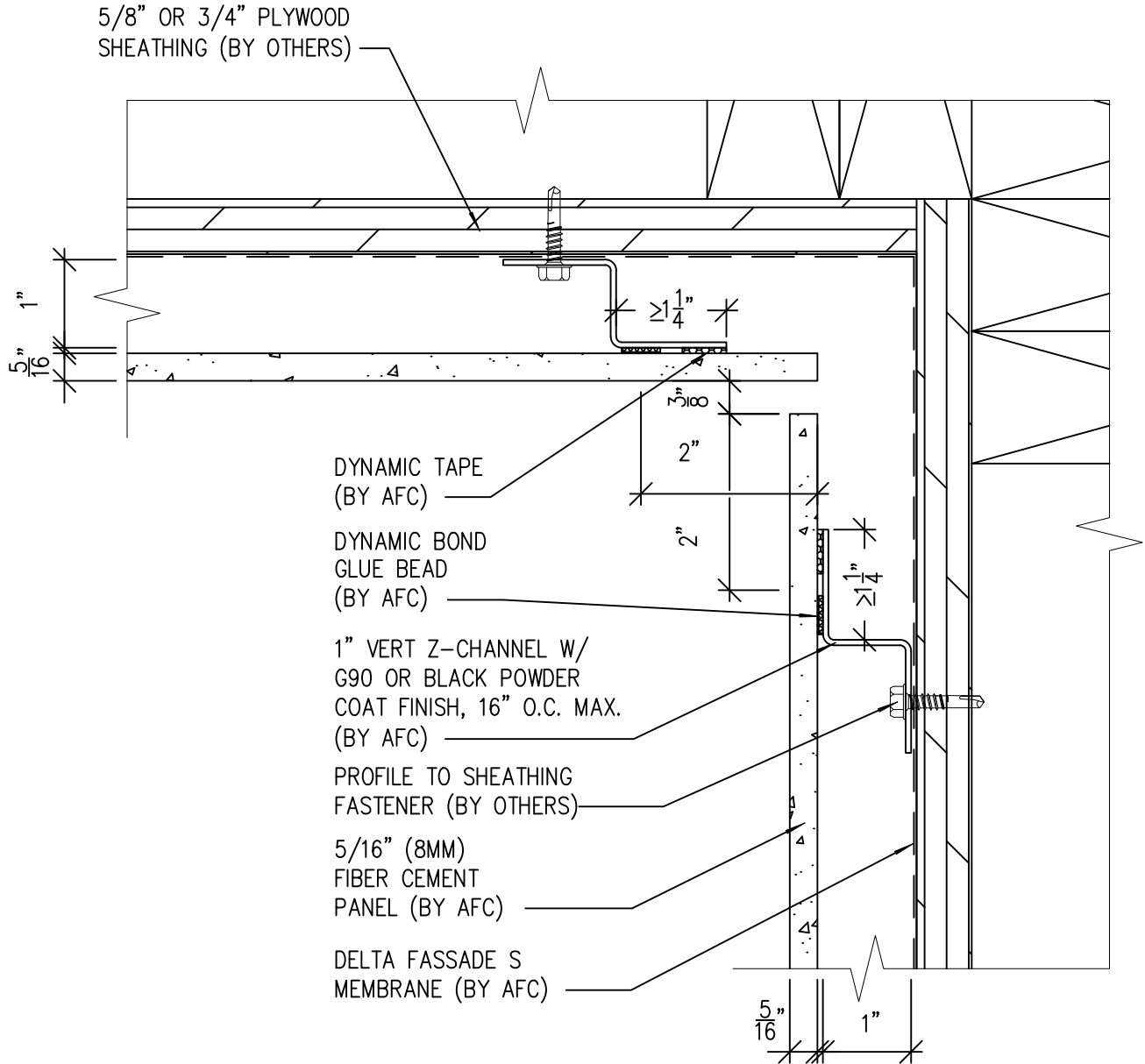


(303) 972-5107
6901 S Pierce St #180
Littleton, CO 80128
www.americanfibercement.com

Ref.:
Panels @
Outside Corner

Date: 06/07/2023

One-Layer Steel Attachment System With Dynamic Bond Adhesive Fastening



SCALE: 6"=1'-0"

NOTES:

1. PANEL VERTICAL AND HORIZONTAL JOINT SPACING SHOULD BE 3/8" TYPICAL.



(303) 972-5107
6901 S Pierce St #180
Littleton, CO 80128
www.americanfiberceent.com

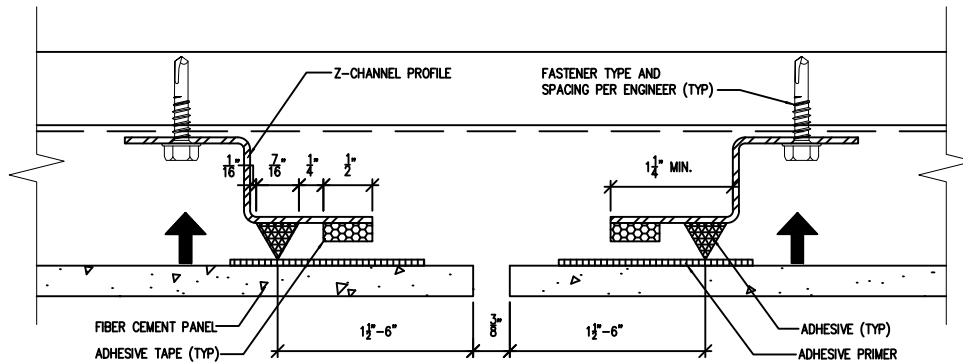
Ref.:
Panels @
Inside Corner

Date: 06/07/2023

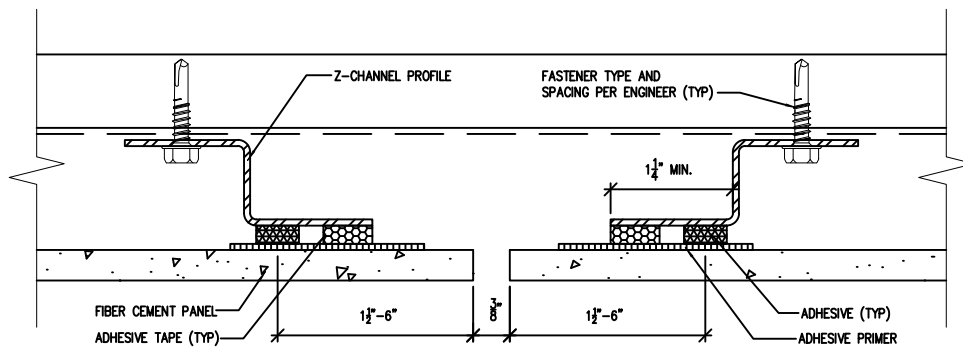
One-Layer Steel Attachment System With Dynamic Bond Adhesive Fastening

GENERAL NOTES:

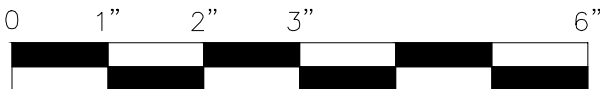
1. WIDTH OF SUPPORTING PROFILE, TO WHICH BONDING SYSTEM WILL BE APPLIED, MUST BE A MINIMUM OF 1 1/4".
2. JOINT IN ALUMINUM/STEEL MUST ALWAYS COINCIDE WITH JOINT IN FIBER CEMENT CLADDING.
3. SPACING OF C TO C OF VERTICAL Z-CHANNEL SHALL BE DETERMINED BASED ON WIND LOAD. MAXIMUM SPACING IS 16" O.C.
4. SUBSTRATE SHALL BE MINIMUM 2MM MILL FINISH ALUMINUM, 12GA ANODIZED ALUMINUM, OR 16GA G90 UNPAINTED GALVANIZED STEEL.



PRE-ADHESION



POST-ADHESION



SCALE: 6"=1'-0"

NOTES:

1. PANEL VERTICAL AND HORIZONTAL JOINT SPACING SHOULD BE 3/8" TYPICAL.



(303) 972-5107
6901 S Pierce St #180
Littleton, CO 80128

www.americanfibercement.com

Ref.:
Dynamic Bond
Typ. Detail

Date: 06/07/2023