



# **American Fiber Cement Corporation**

## Typical Details

Page 2: Panel Base Detail

Page 3: Horizontal Panel Joint Detail

Page 4: Vertical Panel Joint Detail

Page 5: Outside Corner Detail

Page 6: Inside Corner Detail

Page 7: Butt Joint Detail

Page 8: Window Sill Detail

Page 9: Window Head Detail

Page 10: Window Jamb Detail

Page 11: Coping Panel Detail

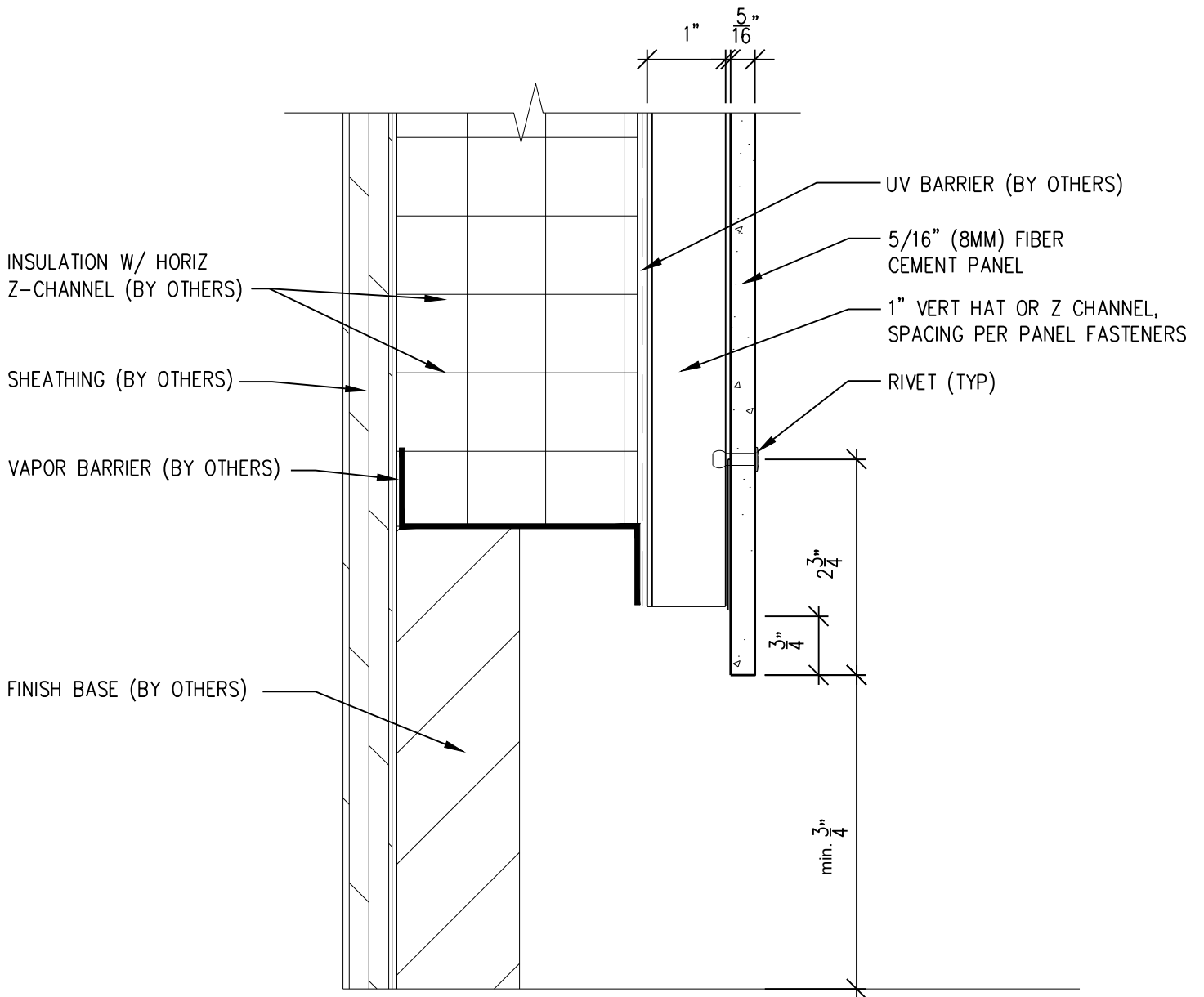


**American Fiber  
Cement Corporation**

6901 South Pierce Street, Suite 180, Littleton, CO 80128

303-972-5107 • 800-688-8677 • FAX: 303-978-0308

[www.americanfibercement.com](http://www.americanfibercement.com)



NOTES:

1. PANEL VERTICAL AND HORIZONTAL JOINT SPACING SHOULD BE 3/8" TYPICAL.



SCALE: 6"=1'-0"

6901 S. Pierce St. Ste. 180 Littleton, CO 80128

Phone #: 1.800.688.8677

Fax: 1.303.978.1199

www.americanfibercement.com

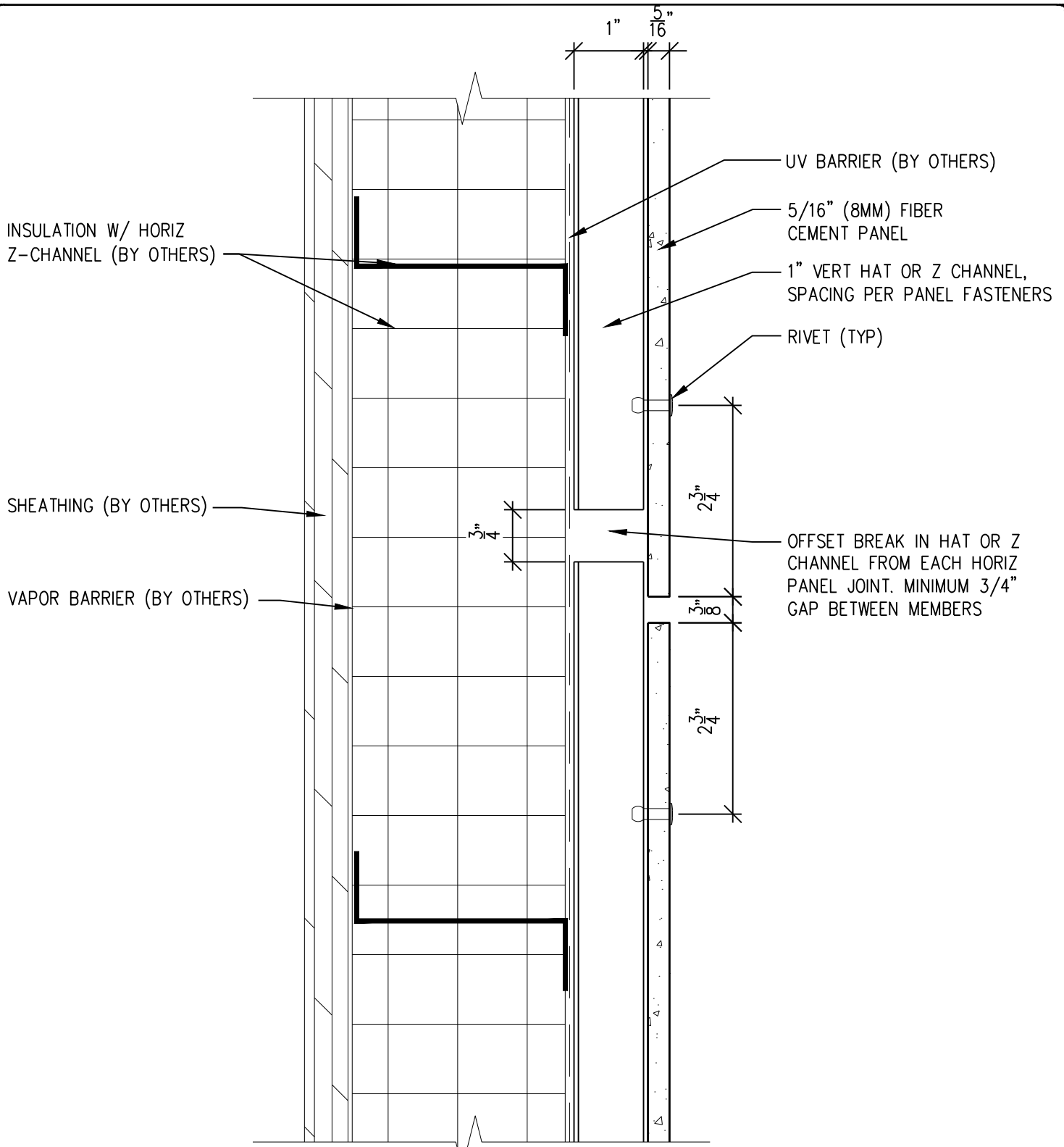


**American Fiber  
Cement Corporation**

Ref.:

Typical Panel  
Base Detail

Date: 8/15/2018



INSULATION W/ HORIZ  
Z-CHANNEL (BY OTHERS)

SHEATHING (BY OTHERS)

VAPOR BARRIER (BY OTHERS)

UV BARRIER (BY OTHERS)

5/16" (8MM) FIBER  
CEMENT PANEL

1" VERT HAT OR Z CHANNEL,  
SPACING PER PANEL FASTENERS

RIVET (TYP)

OFFSET BREAK IN HAT OR Z  
CHANNEL FROM EACH HORIZ  
PANEL JOINT. MINIMUM 3/4"  
GAP BETWEEN MEMBERS



SCALE: 6"=1'-0"

NOTES:

1. PANEL VERTICAL AND HORIZONTAL JOINT SPACING SHOULD BE 3/8" TYPICAL.

6901 S. Pierce St. Ste. 180 Littleton, CO 80128

Phone #: 1.800.688.8677

Fax: 1.303.978.1199

www.americanfibercement.com

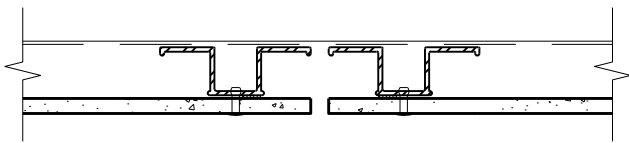
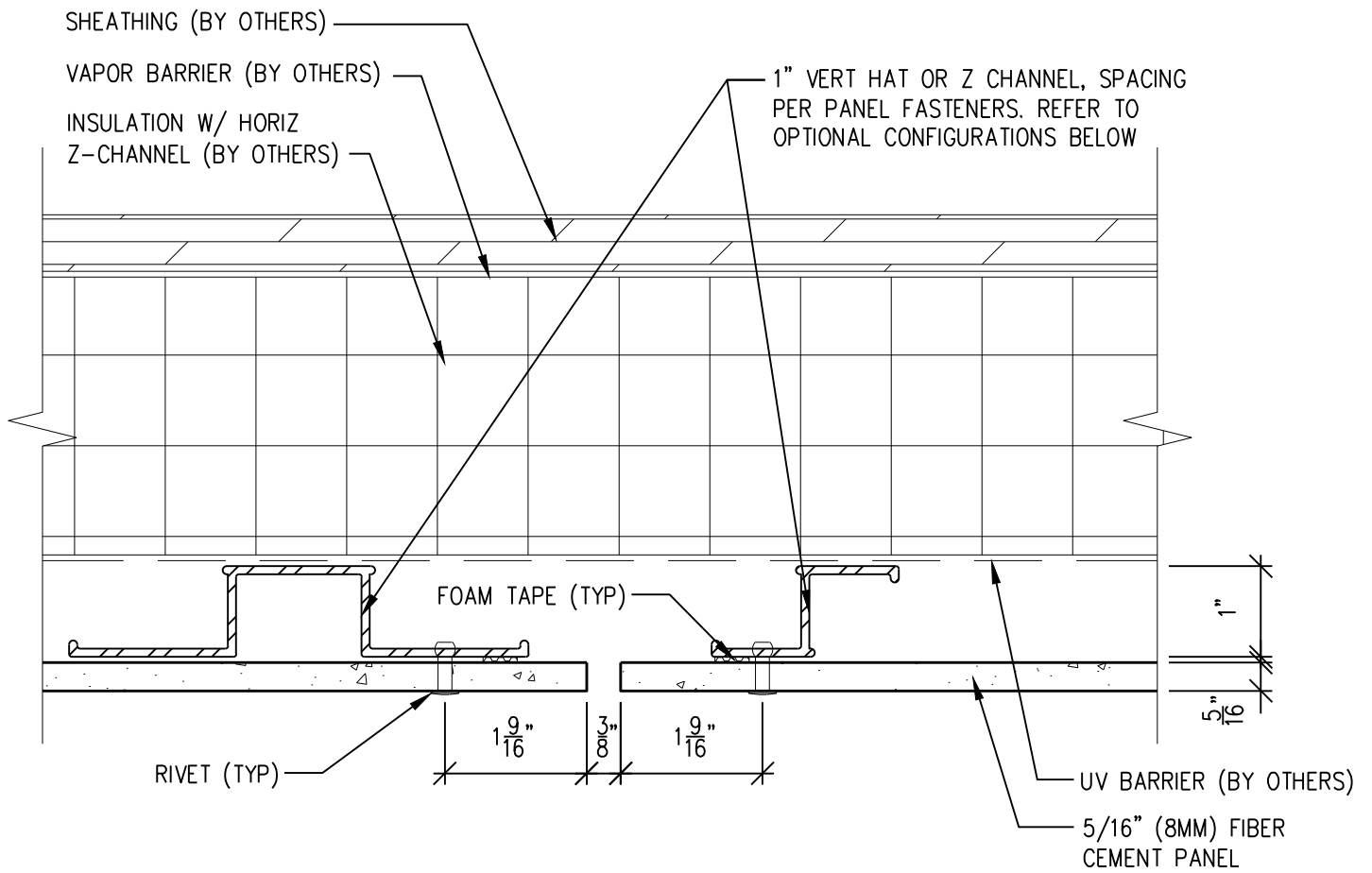


**American Fiber  
Cement Corporation**

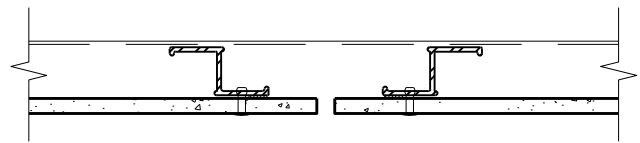
Ref.:

Typical Horizontal  
Panel Joint Detail

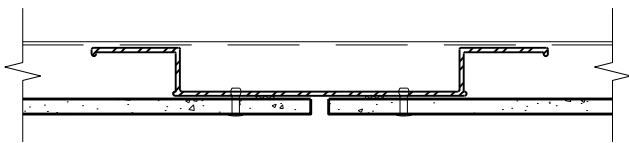
Date: 8/15/2018



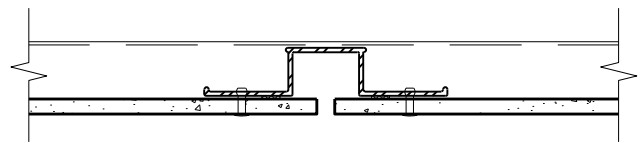
OPTION #1



OPTION #2



OPTION #3



OPTION #4



SCALE: 6"=1'-0"

NOTES:

1. PANEL VERTICAL AND HORIZONTAL JOINT SPACING SHOULD BE 3/8" TYPICAL.

6901 S. Pierce St. Ste. 180 Littleton, CO 80128

Phone #: 1.800.688.8677

Fax: 1.303.978.1199

www.americanfibercement.com

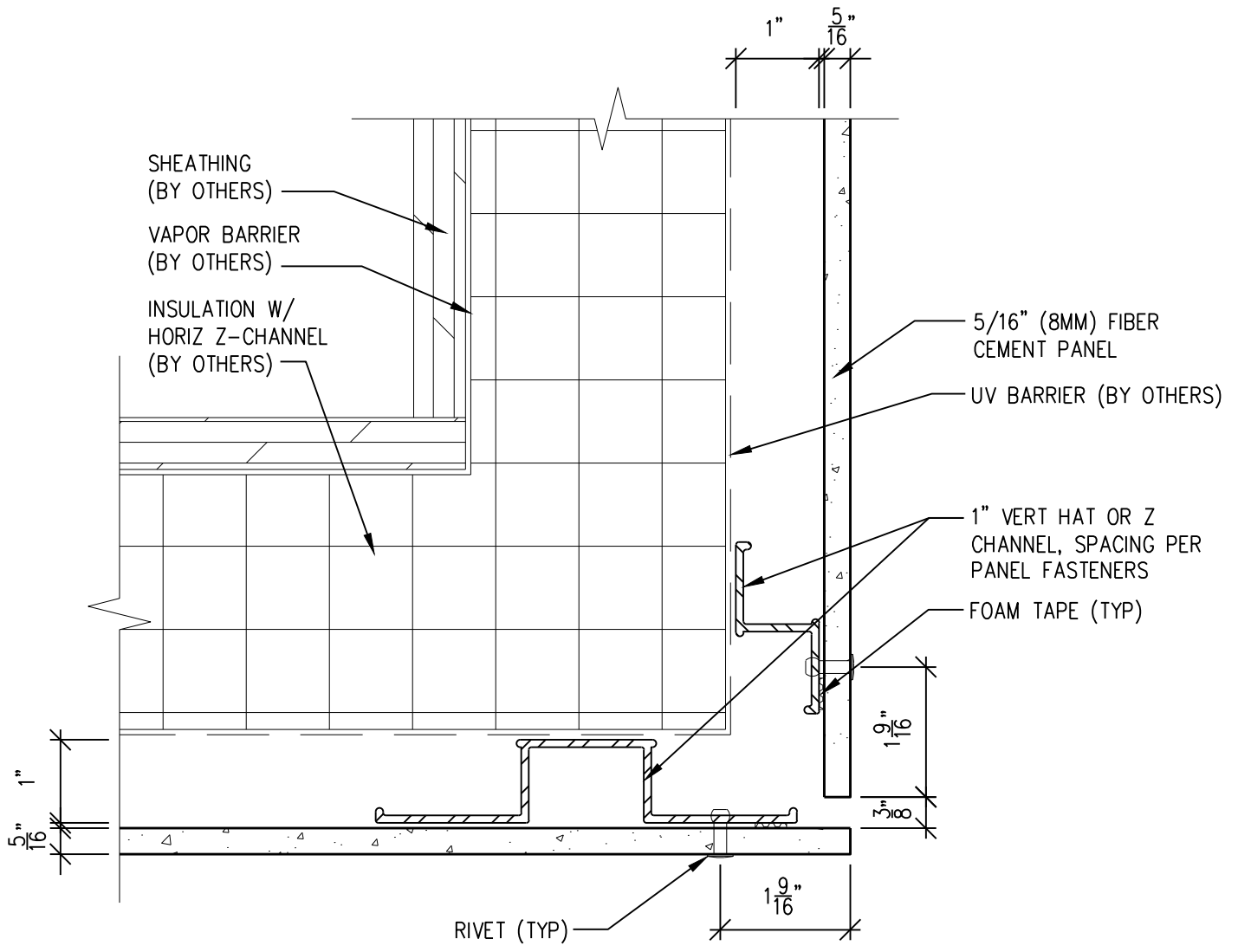


**American Fiber  
Cement Corporation**

Ref.:

Typical Vertical  
Panel Joint Detail

Date: 8/15/2018



**NOTES:**

1. PANEL VERTICAL AND HORIZONTAL JOINT SPACING SHOULD BE 3/8" TYPICAL.



SCALE: 6"=1'-0"

6901 S. Pierce St. Ste. 180 Littleton, CO 80128

Phone #: 1.800.688.8677

Fax: 1.303.978.1199

www.americanfibercement.com

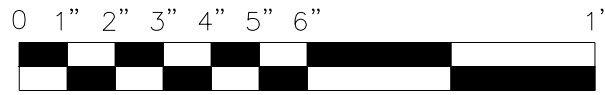
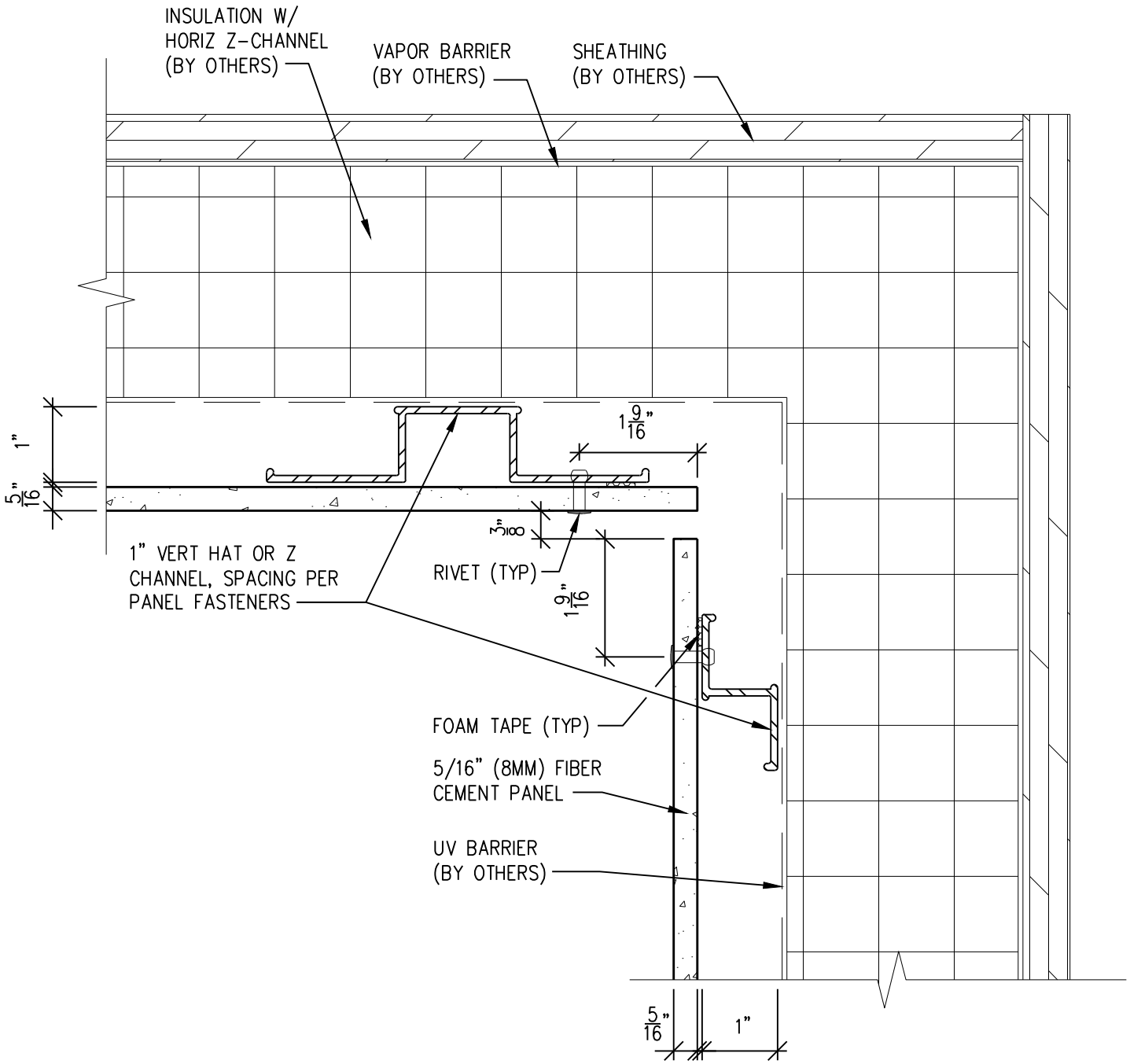


**American Fiber  
Cement Corporation**

Ref.:

**Typical Outside  
Corner Detail**

Date: 8/15/2018



SCALE: 6"=1'-0"

**NOTES:**

1. PANEL VERTICAL AND HORIZONTAL JOINT SPACING SHOULD BE 3/8" TYPICAL.

6901 S. Pierce St. Ste. 180 Littleton, CO 80128

Phone #: 1.800.688.8677

Fax: 1.303.978.1199

www.americanfibercement.com

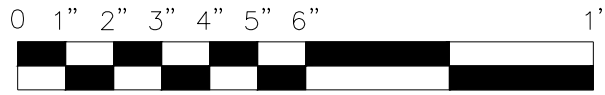
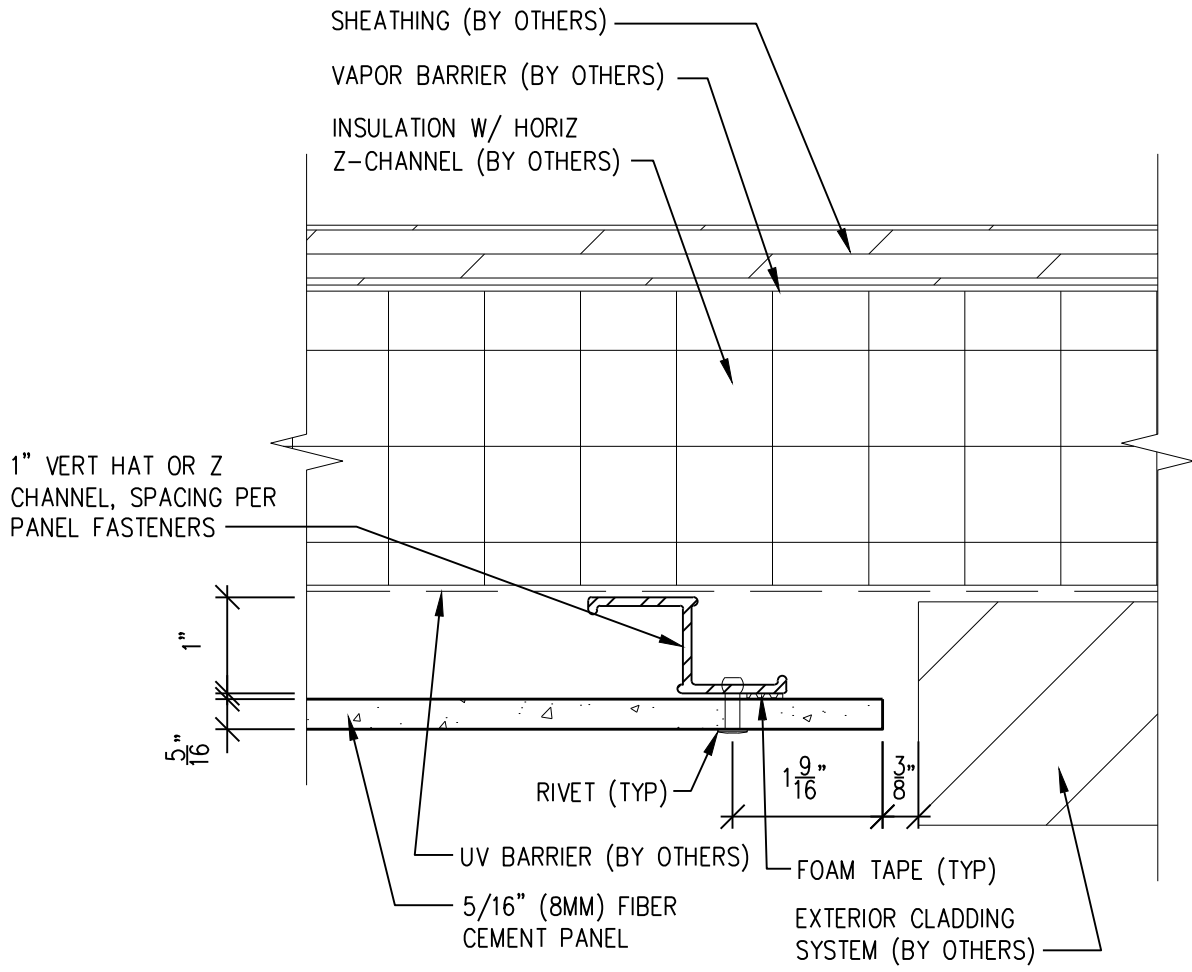


**American Fiber  
Cement Corporation**

Ref.:

**Typical Inside  
Corner Detail**

Date: 8/15/2018



SCALE: 6"=1'-0"

**NOTES:**

1. PANEL VERTICAL AND HORIZONTAL JOINT SPACING SHOULD BE 3/8" TYPICAL.

6901 S. Pierce St. Ste. 180 Littleton, CO 80128

Phone #: 1.800.688.8677

Fax: 1.303.978.1199

www.americanfibercement.com

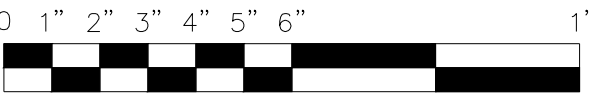
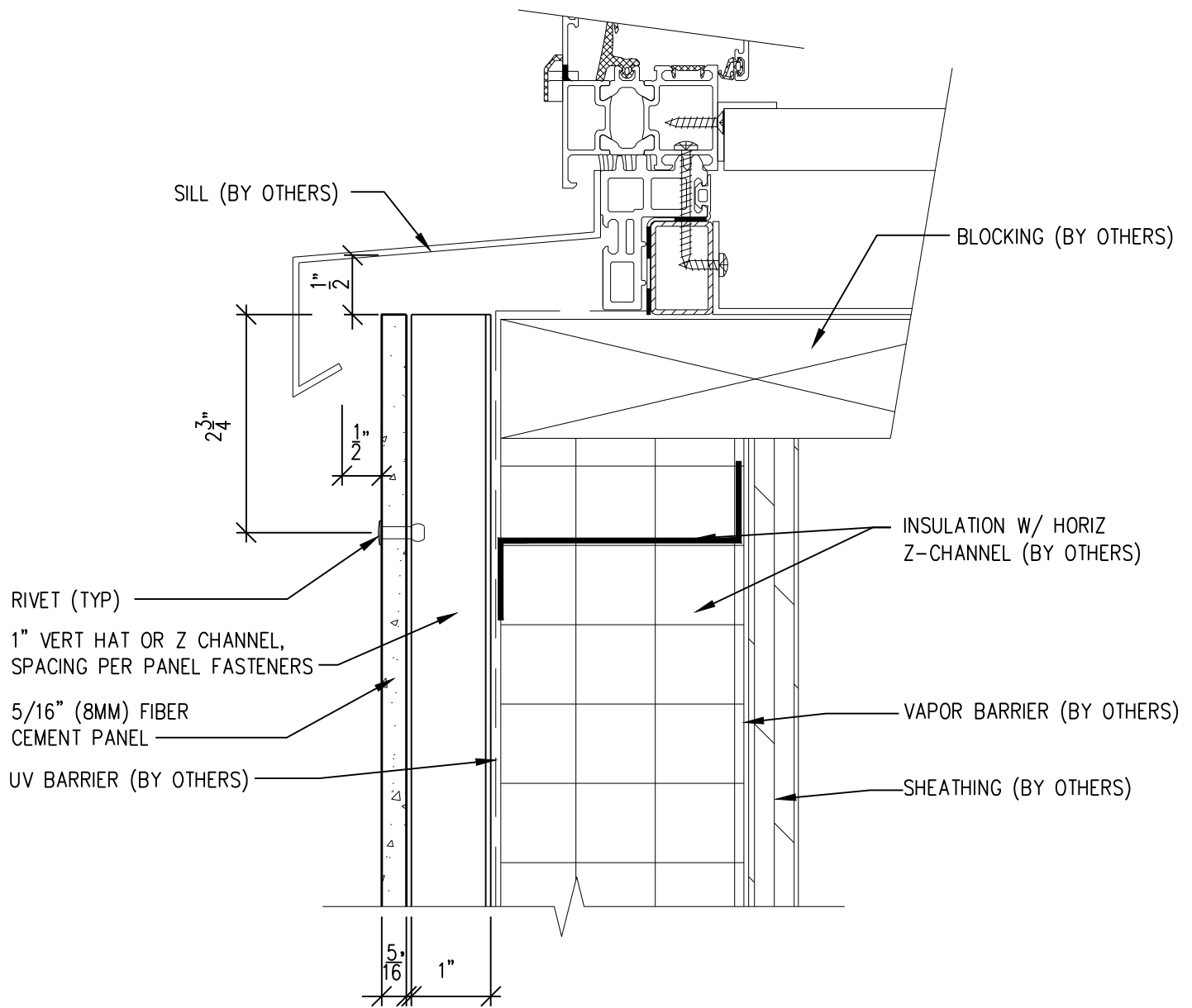


**American Fiber  
Cement Corporation**

Ref.:

Typical Butt  
Joint Detail

Date: 8/15/2018



SCALF: 6"=1'-0"

**NOTES:**

- 1. PANEL VERTICAL AND HORIZONTAL JOINT SPACING SHOULD BE 3/8" TYPICAL.

6901 S. Pierce St. Ste. 180 Littleton, CO 80128

Phone #: 1.800.688.8677

Fax: 1.303.978.1199

www.americanfibercement.com



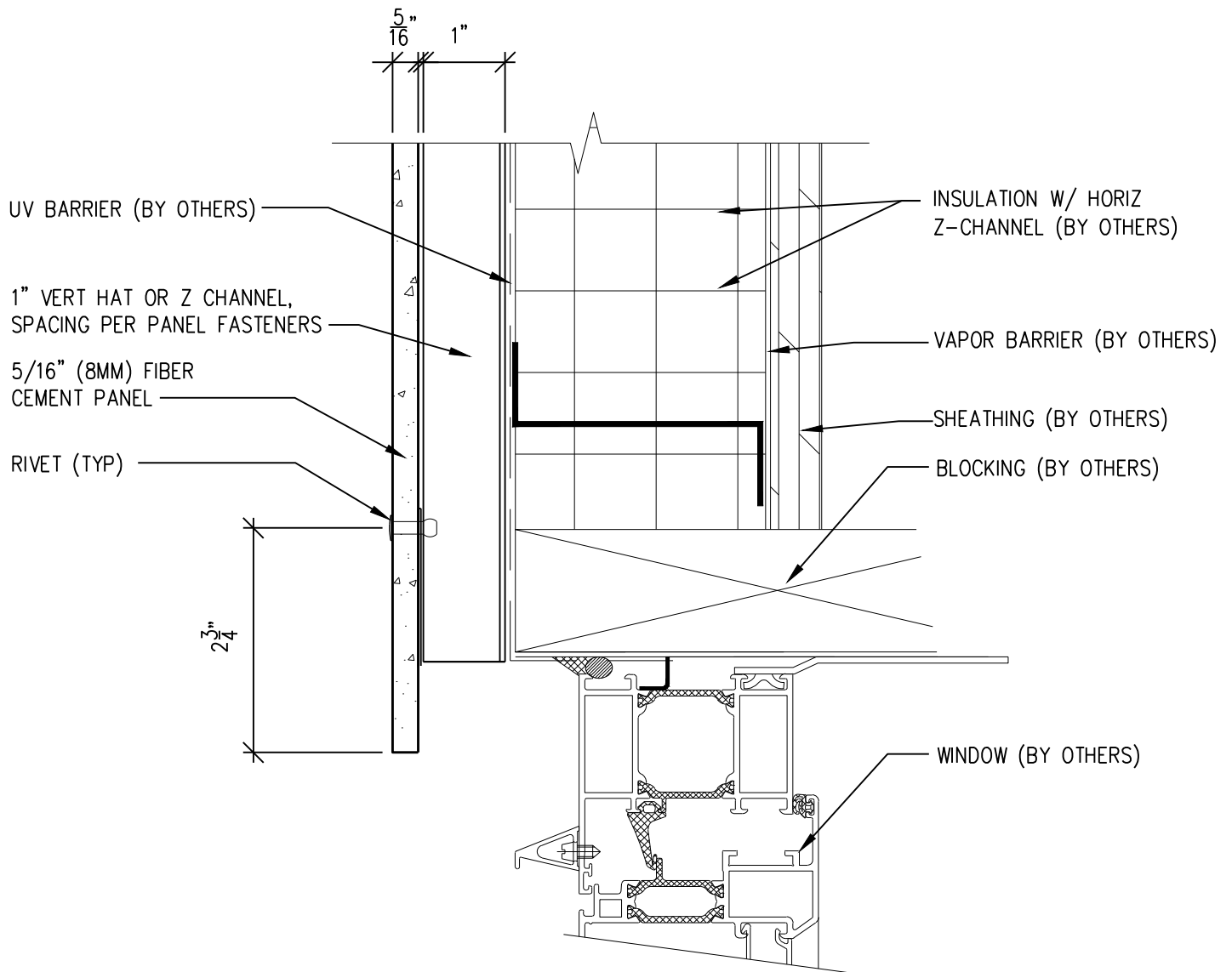
**American Fiber  
Cement Corporation**

Ref.:

**Typical Window  
Sill Detail**

Date: 8/15/2018





SCALE: 6"=1'-0"

**NOTES:**

1. PANEL VERTICAL AND HORIZONTAL JOINT SPACING SHOULD BE 3/8" TYPICAL.

6901 S. Pierce St. Ste. 180 Littleton, CO 80128

Phone #: 1.800.688.8677

Fax: 1.303.978.1199

www.americanfibercement.com

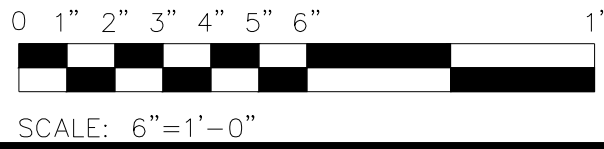
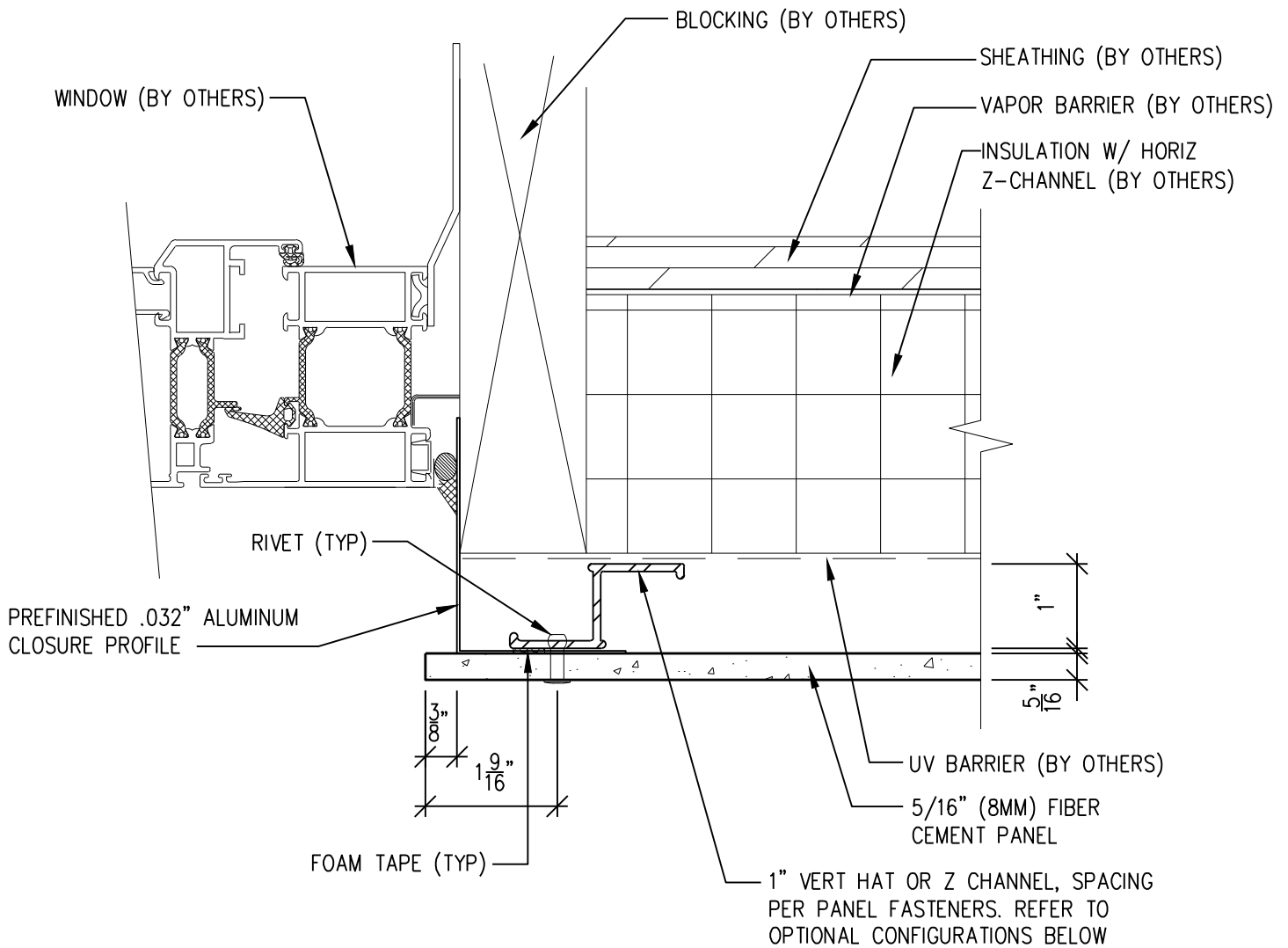


**American Fiber  
Cement Corporation**

Ref.:

**Typical Window  
Head Detail**

Date: 8/15/2018



- NOTES:**
1. PANEL VERTICAL AND HORIZONTAL JOINT SPACING SHOULD BE 3/8" TYPICAL.

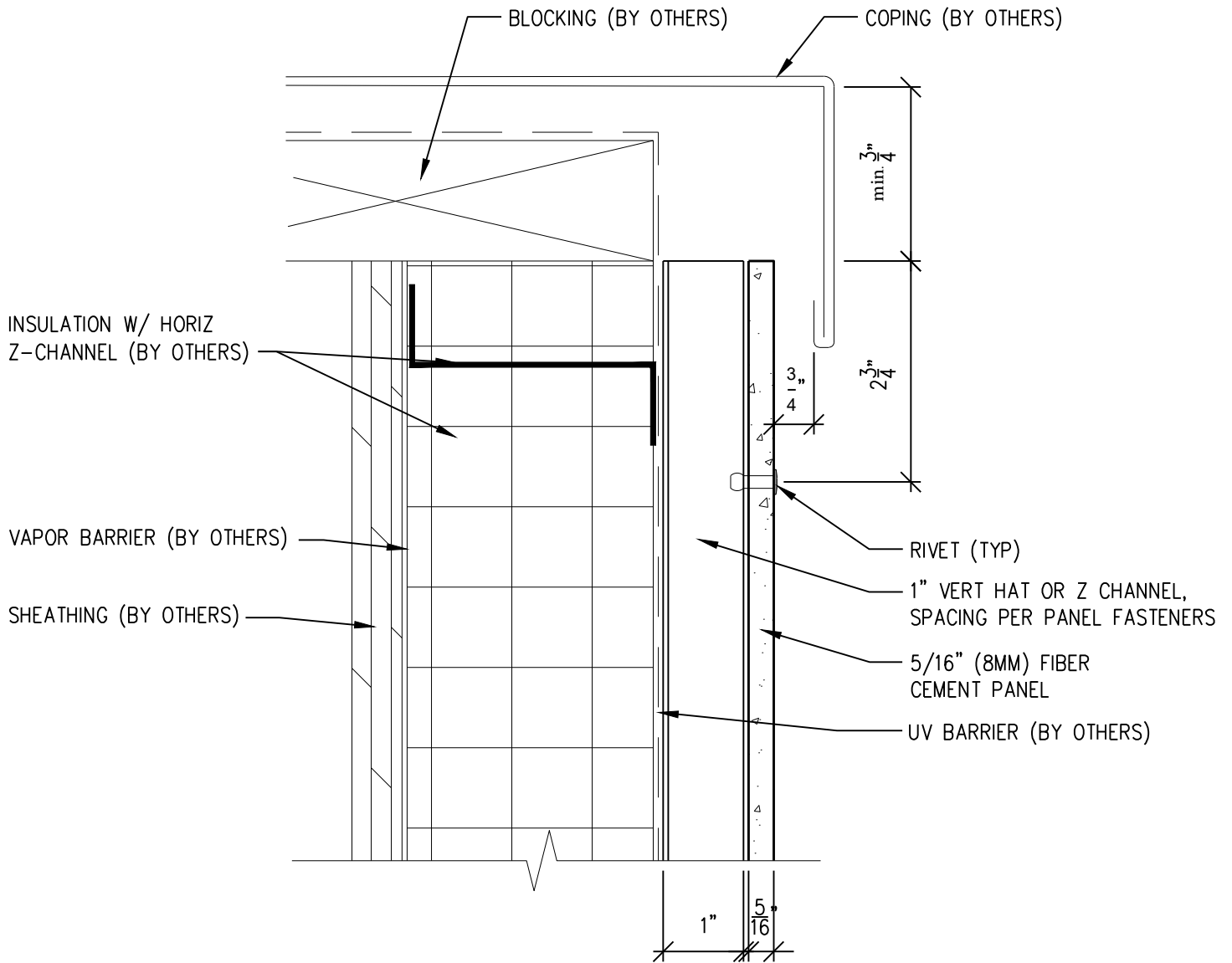
6901 S. Pierce St. Ste. 180 Littleton, CO 80128  
 Phone #: 1.800.688.8677  
 Fax: 1.303.978.1199  
 www.americanfibercement.com



Ref.:  
**Typical Window  
 Jamb Detail**

Date: 8/15/2018

Note: Coordinate parapet/coping details with the flashing or roofing installer.



SCALE: 6"=1'-0"

NOTES:

1. PANEL VERTICAL AND HORIZONTAL JOINT SPACING SHOULD BE 3/8" TYPICAL.

6901 S. Pierce St. Ste. 180 Littleton, CO 80128

Phone #: 1.800.688.8677

Fax: 1.303.978.1199

www.americanfibercement.com



**American Fiber  
Cement Corporation**

Ref.:

Typical Coping  
Panel Detail

Date: 8/15/2018